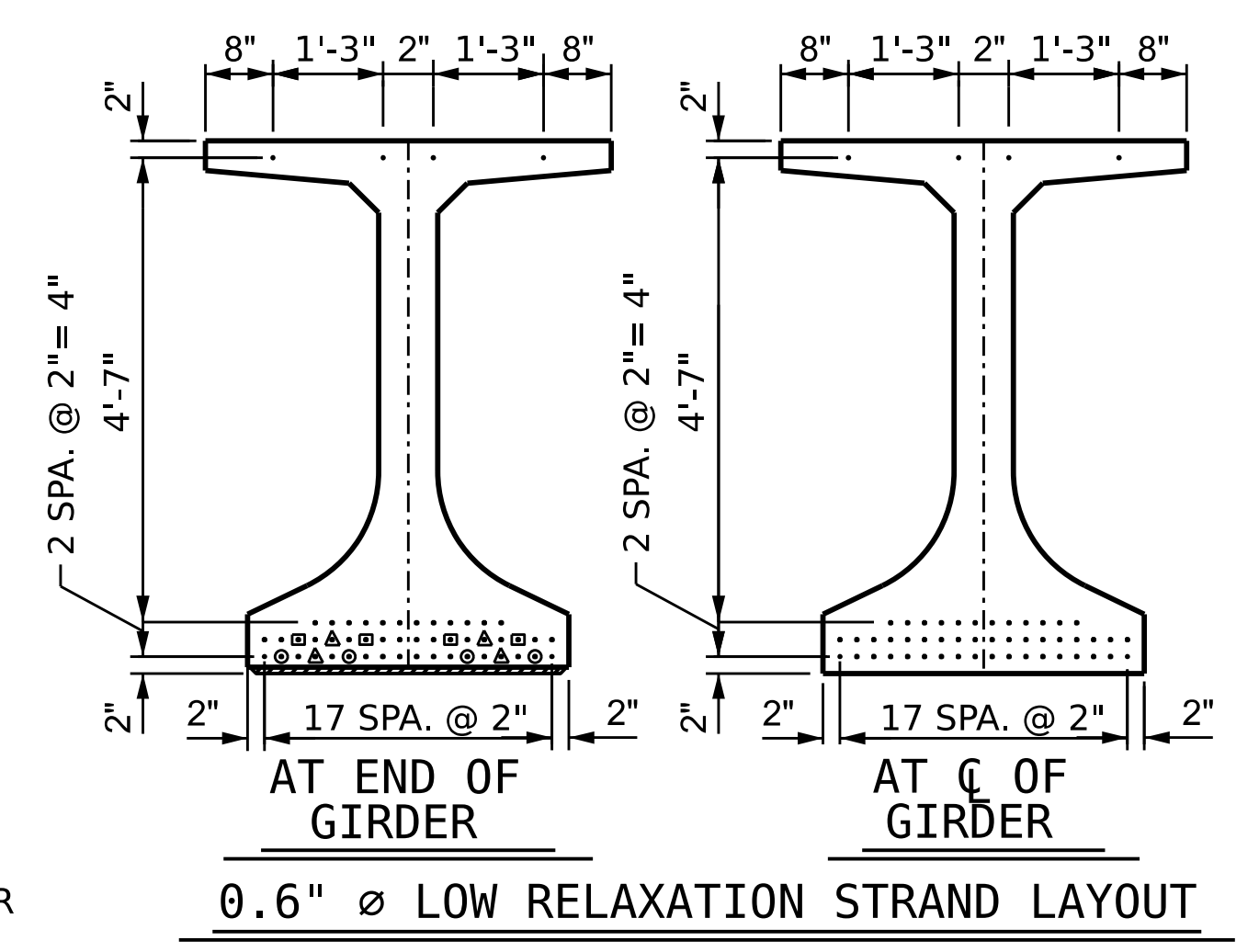


1 1/2" Ø FORMED HOLE. SEE FRAMING PLAN FOR LOCATION. FOR DIM. "A", "B" & "C" SEE "INTERMEDIATE STEEL DIAPHRAGMS" SHEET.

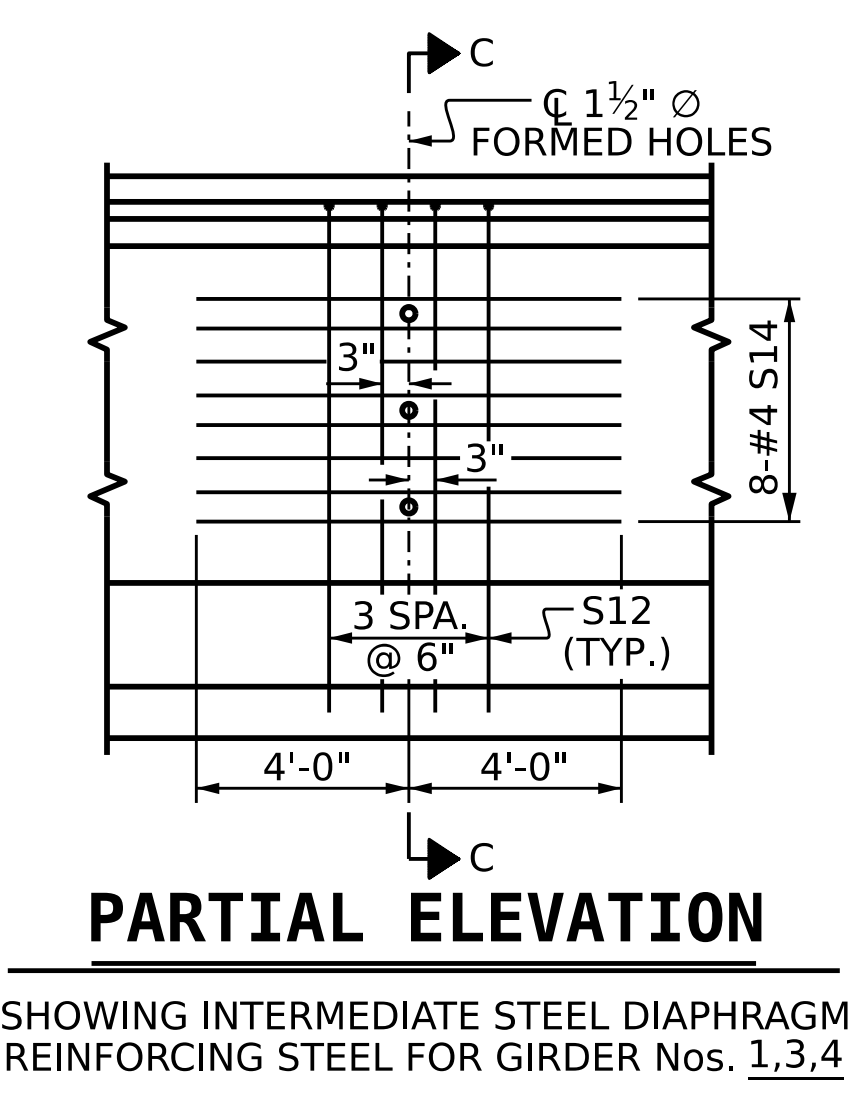
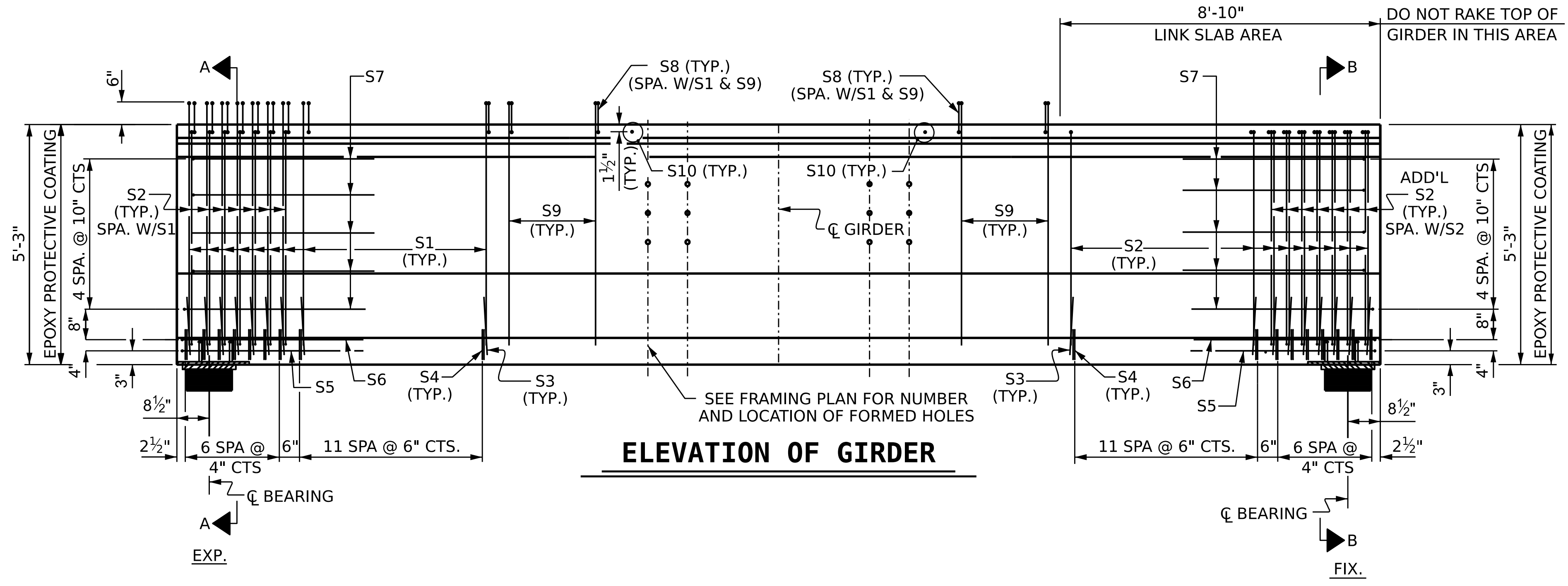
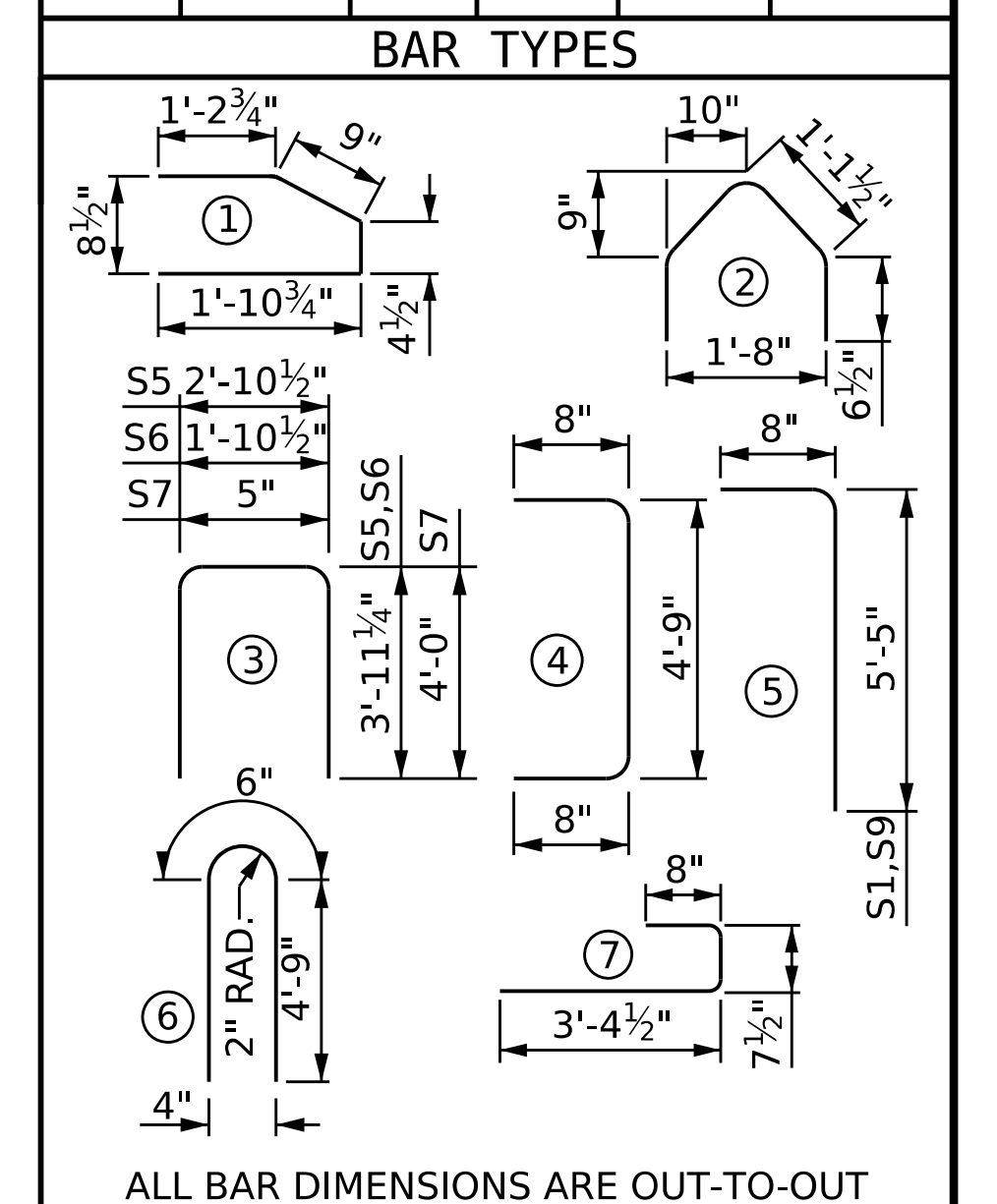
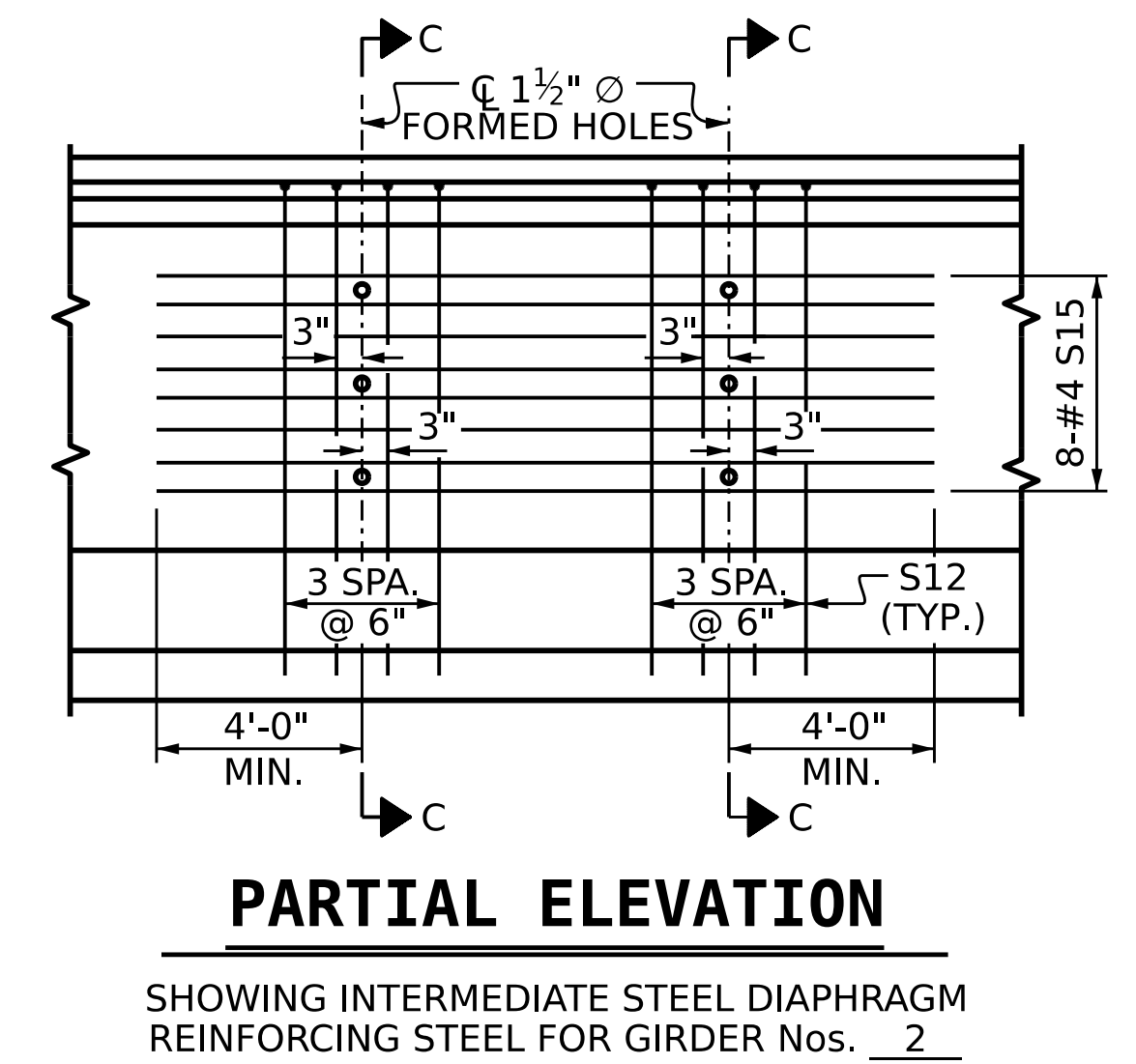
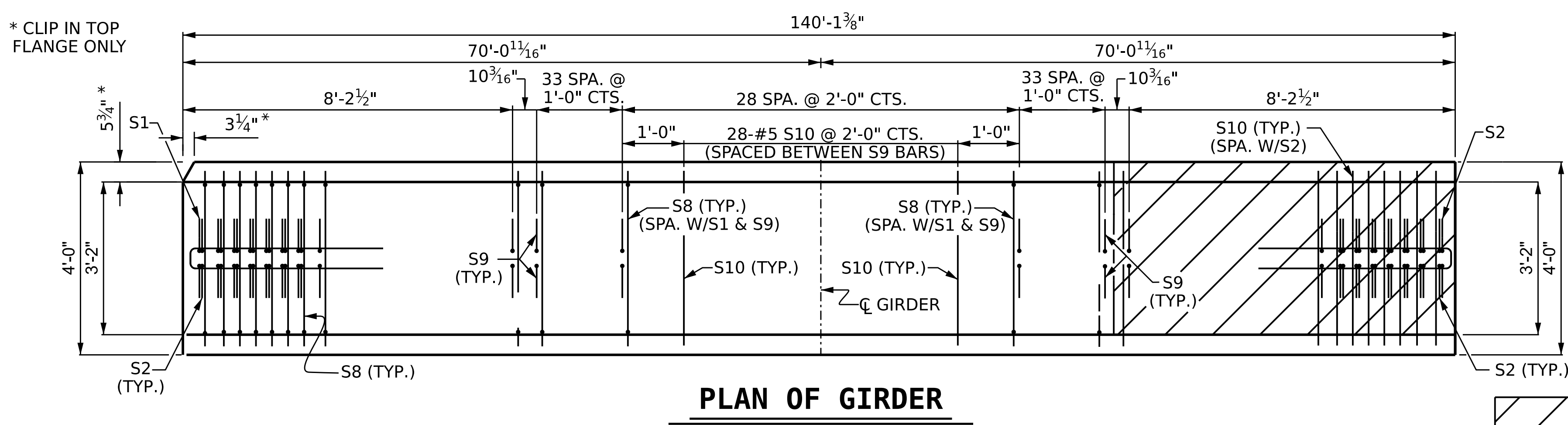
**DEBONDING LEGEND**

- FULLY BONDED STRANDS
- STRANDS DEBONDED FOR 4'-0" FROM END OF GIRDER
- STRANDS DEBONDED FOR 8'-0" FROM END OF GIRDER
- STRANDS DEBONDED FOR 14'-0" FROM END OF GIRDER



AREA (SQUARE INCHES)	ULTIMATE STRENGTH (LBS. PER STRAND)	APPLIED PRESTRESS (LBS. PER STRAND)
0.217	58,600	43,950

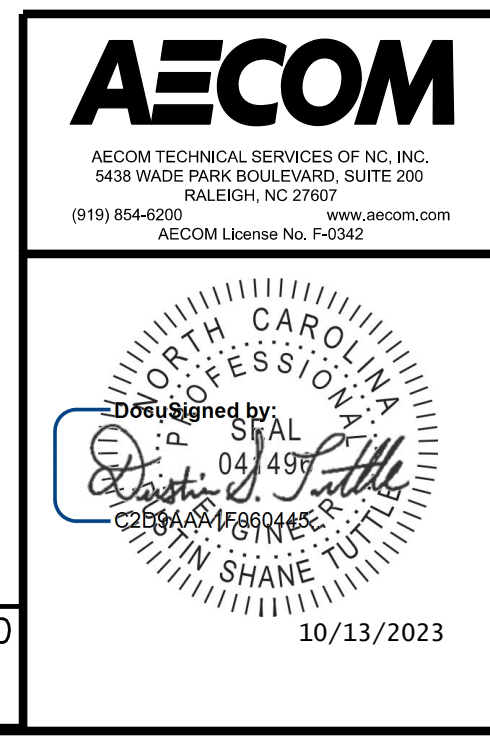
REINFORCING STEEL FOR ONE GDR						
BAR	NUMBER	SIZE	TYPE	LENGTH	WEIGHT	
S1	38	#5	5	6'-1"	241	
S2	66	#5	4	6'-1"	419	
S3	38	#3	2	3'-4"	48	
S4	76	#3	1	4'-3"	121	
S5	2	#5	3	10'-9"	22	
S6	2	#5	3	9'-9"	20	
S7	10	#4	3	8'-5"	56	
S8	228	#5	7	4'-8"	1110	
S9	190	#5	5	6'-1"	1206	
S10	47	#5	STR	3'-8"	180	
GDR. 1,3,4	S12	8	#5	6	10'-0"	83
GDR. 2	S12	16	#5	6	10'-0"	167
GDR. 1,3,4	S14	16	#4	STR	8'-0"	86
GDR. 2	S15	16	#4	STR	11'-6"	123



QUANTITIES FOR ONE GIRDER			
REINFORCING STEEL	8500PSI CONCRETE	0.6" Ø L.R. STRANDS	
LB.	C.Y.	No.	
GDR. 1,3,4	3592	35.9	52
GDR. 2	3713	35.9	52

GIRDERS REQUIRED		
NUMBER	LENGTH	TOTAL LENGTH
4	140'-1 3/8"	560'-5 1/2"

PROJECT NO. **B-3186 / B-5898**  
**HAYWOOD** COUNTY  
 STATION: **24+70.00 -L LT-**  
 SHEET 3 OF 7



REVISIONS						SHEET NO.
NO.	BY:	DATE:	NO.	BY:	DATE:	S3-19
1			3			TOTAL SHEETS
2			4			50

DRAWN BY: T. NEAL DATE: 04/2023  
 CHECKED BY: D. TUTTLE DATE: 05/2023  
 DESIGN ENGINEER OF RECORD: D. TUTTLE DATE: 06/2023

DOCUMENT NOT CONSIDERED FINAL UNLESS ALL SIGNATURES COMPLETED