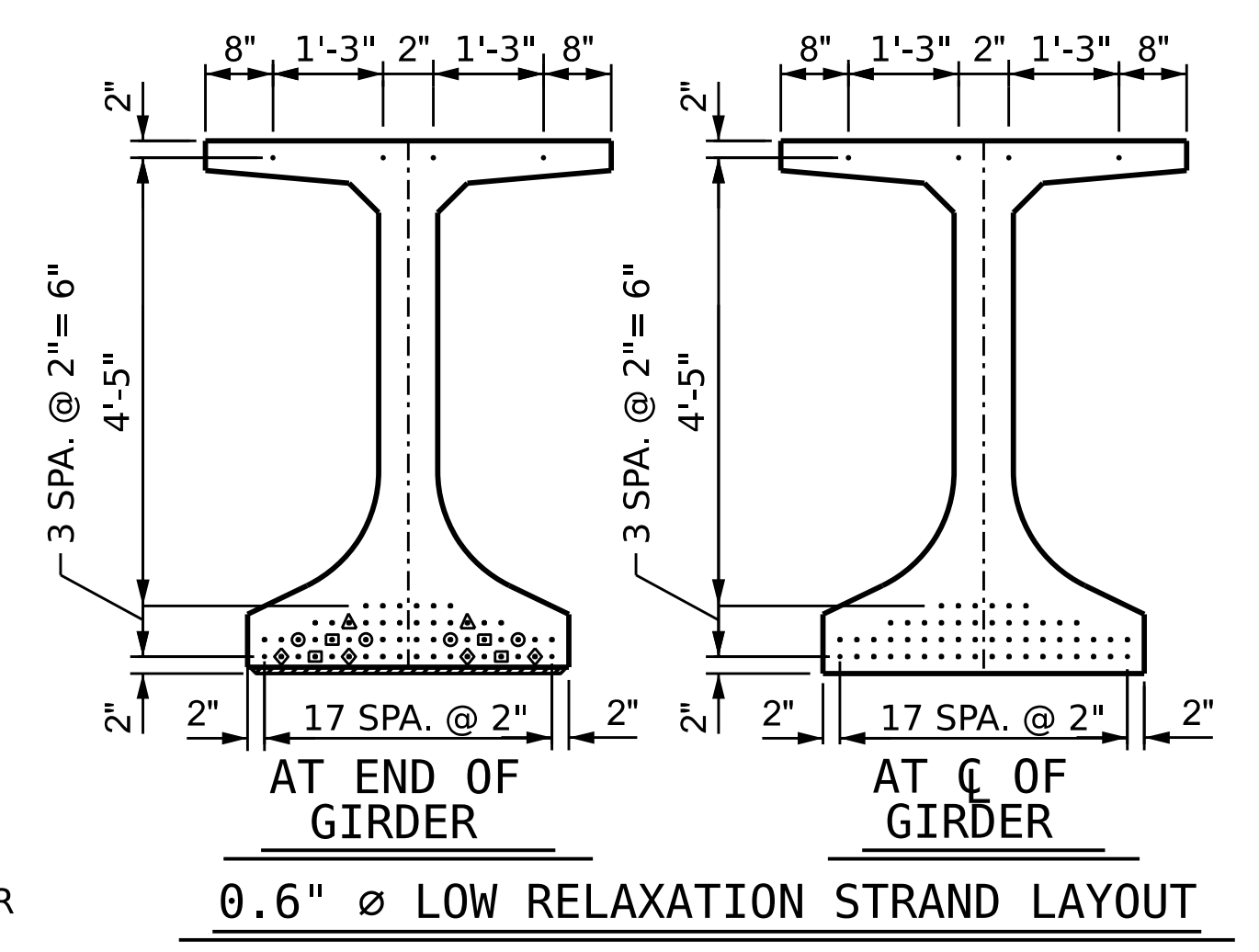


1 1/2" Ø FORMED HOLE. SEE FRAMING PLAN FOR LOCATION. FOR DIM. "A", "B" & "C" SEE "INTERMEDIATE STEEL DIAPHRAGMS" SHEET.

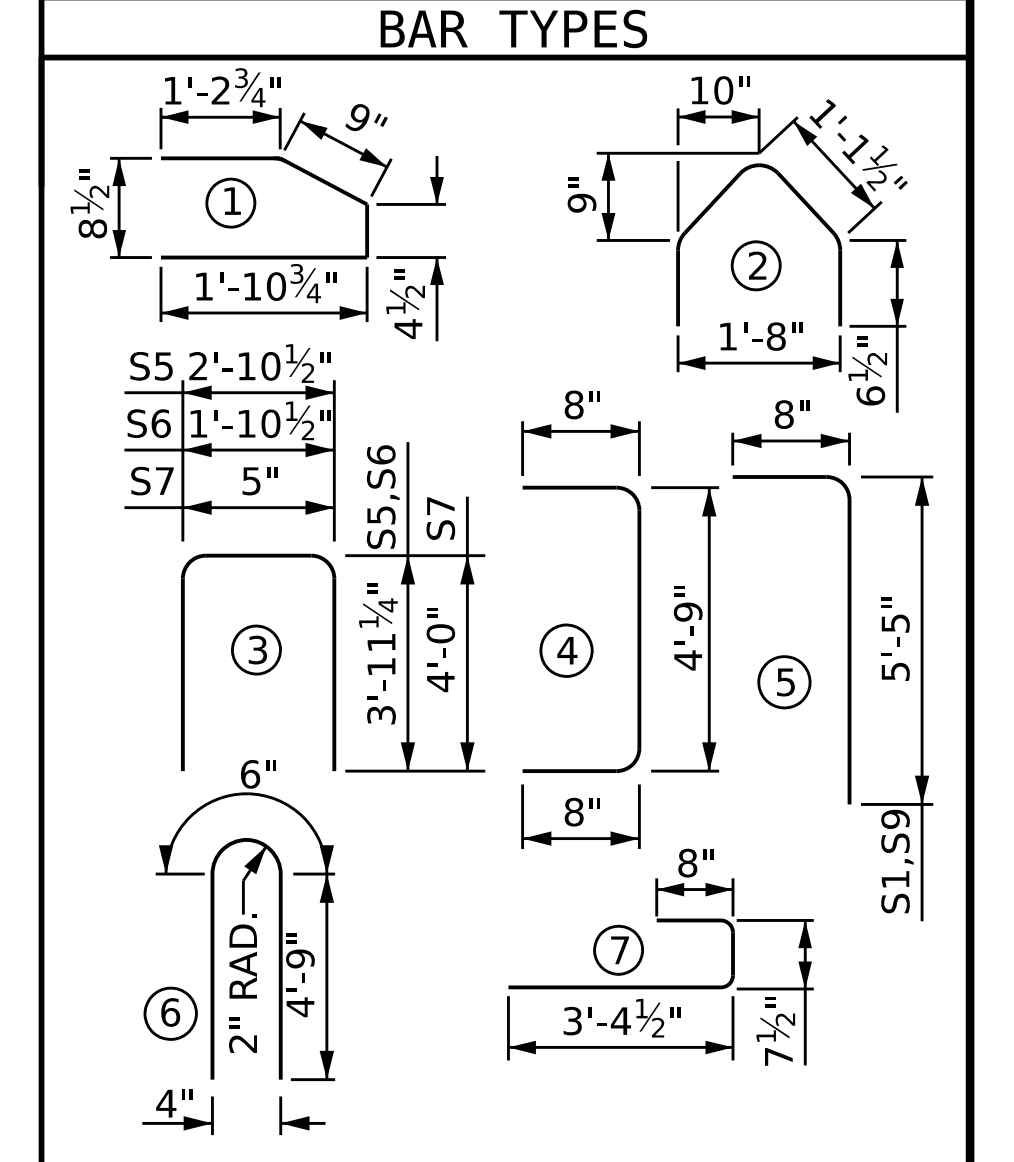
DEBONDING LEGEND

- FULLY BONDED STRANDS
- STRANDS DEBONDED FOR 4'-0" FROM END OF GIRDER
- STRANDS DEBONDED FOR 8'-0" FROM END OF GIRDER
- STRANDS DEBONDED FOR 16'-0" FROM END OF GIRDER
- STRANDS DEBONDED FOR 28'-0" FROM END OF GIRDER



AREA (SQUARE INCHES)	ULTIMATE STRENGTH (LBS. PER STRAND)	APPLIED PRESTRESS (LBS. PER STRAND)
0.217	58,600	43,950

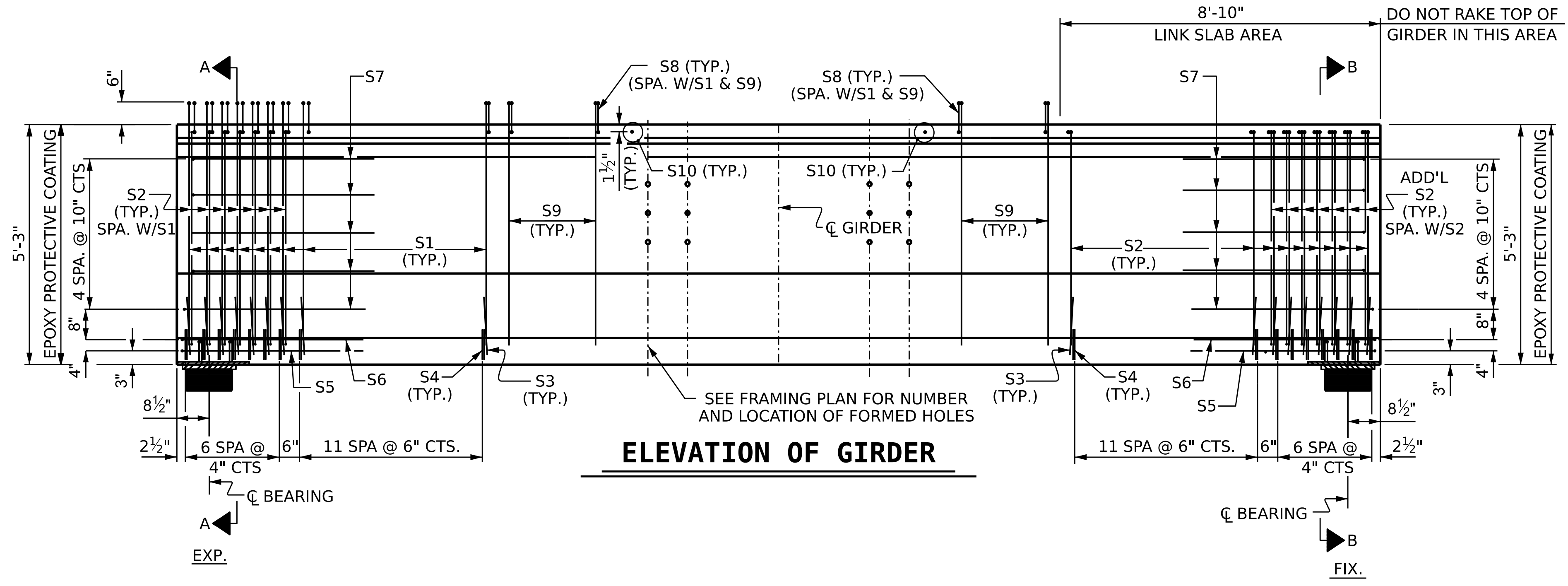
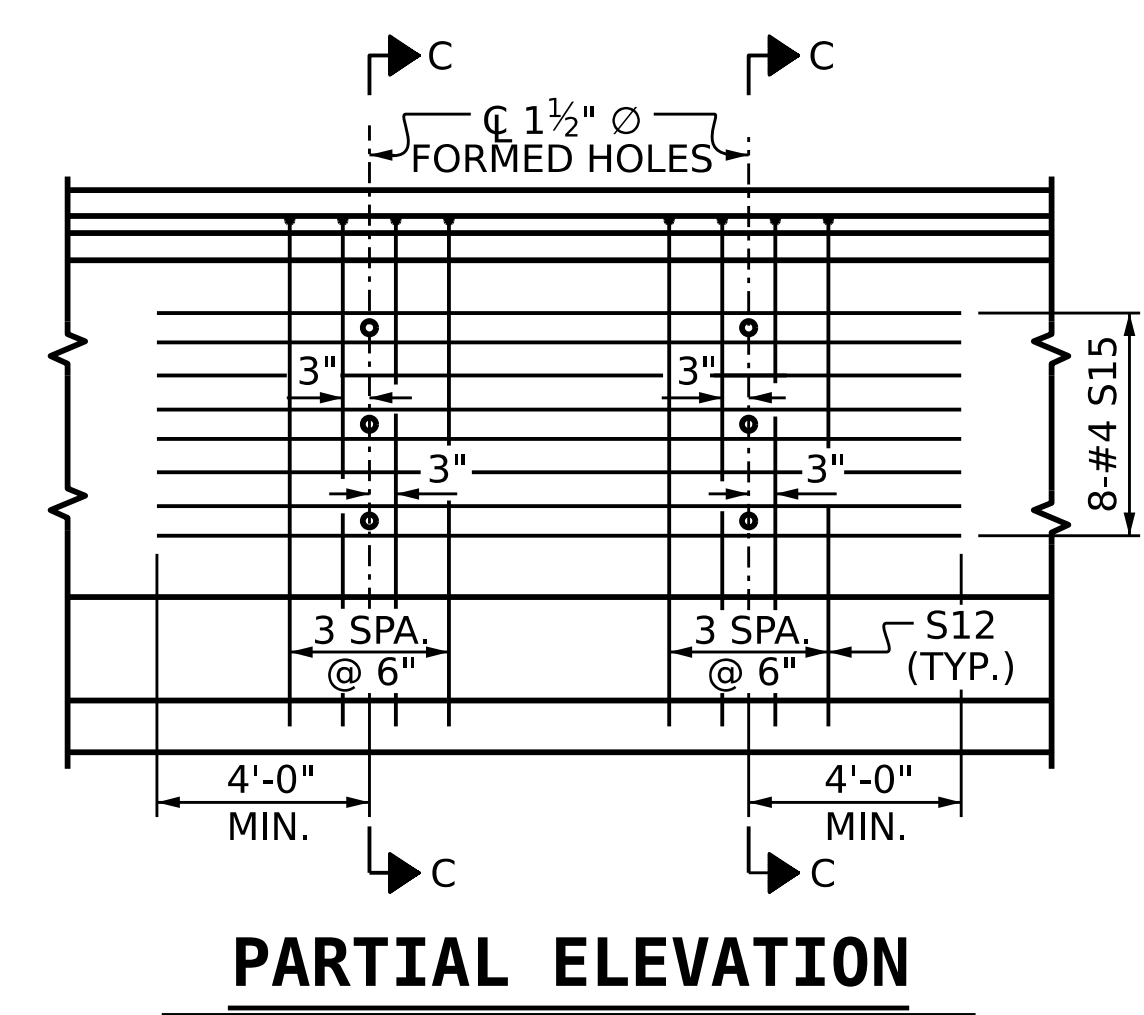
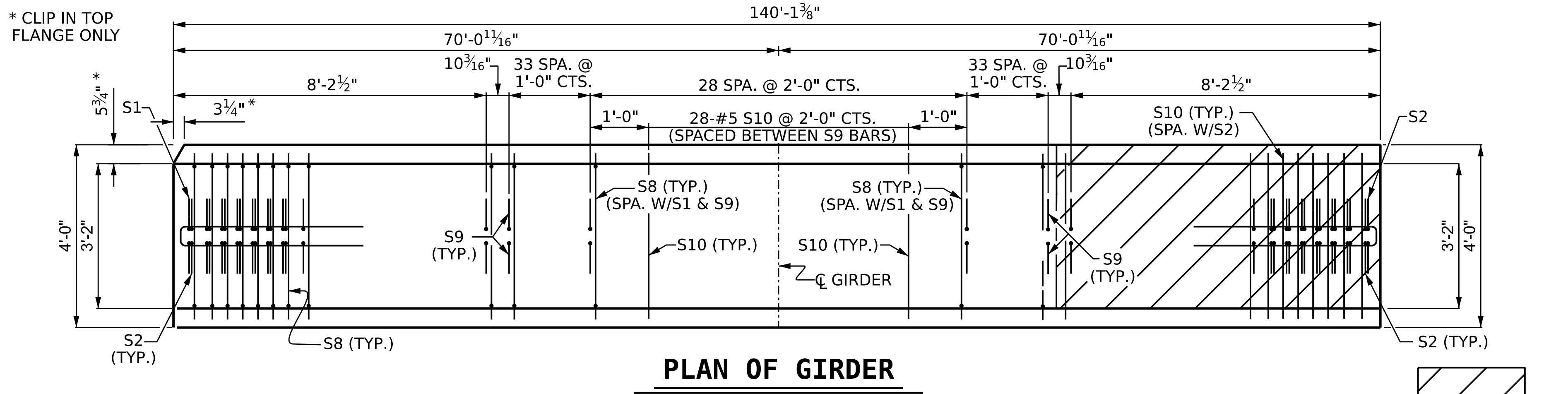
REINFORCING STEEL FOR ONE GDR				
BAR	NUMBER	SIZE	TYPE	LENGTH WEIGHT
S1	38	#5	5	6'-1" 241
S2	66	#5	4	6'-1" 419
S3	38	#3	2	3'-4" 48
S4	76	#3	1	4'-3" 121
S5	2	#5	3	10'-9" 22
S6	2	#5	3	9'-9" 20
S7	10	#4	3	8'-5" 56
S8	228	#5	7	4'-8" 1110
S9	190	#5	5	6'-1" 1206
S10	47	#5	STR	3'-8" 180
S12	16	#5	6	10'-0" 167
S15	16	#4	STR	12'-8" 135



ALL BAR DIMENSIONS ARE OUT-TO-OUT

QUANTITIES FOR ONE GIRDER		
REINFORCING STEEL	8500PSI CONCRETE	0.6" Ø L.R. STRANDS
LB.	C.Y.	No.
3725	35.9	58

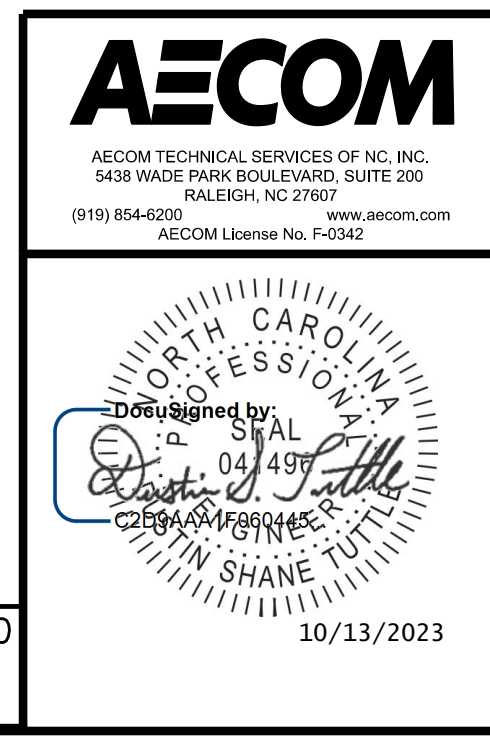
GIRDERS REQUIRED		
NUMBER	LENGTH	TOTAL LENGTH
2	140'-1 3/8"	280'-2 3/4"



SHOWING INTERMEDIATE STEEL DIAPHRAGM REINFORCING STEEL FOR GIRDER Nos. 5 & 6

DRAWN BY: T. NEAL DATE: 04/2023
 CHECKED BY: D. TUTTLE DATE: 05/2023
 DESIGN ENGINEER OF RECORD: D. TUTTLE DATE: 06/2023

DOCUMENT NOT CONSIDERED FINAL UNLESS ALL SIGNATURES COMPLETED



PROJECT NO. B-3186 / B-5898
 HAYWOOD COUNTY
 STATION: 24+70.00 -L LT-
 SHEET 2 OF 7

STATE OF NORTH CAROLINA DEPARTMENT OF TRANSPORTATION RALEIGH					
63" FLORIDA I-BEAM (FIB) PRESTRESSED CONCRETE GIRDER					
SPAN A GIRDERS 5 & 6					
REVISIONS					SHEET NO.
NO.	BY:	DATE:	NO.	BY:	DATE:
1			3		
2			4		
					S3-18
					TOTALS 50