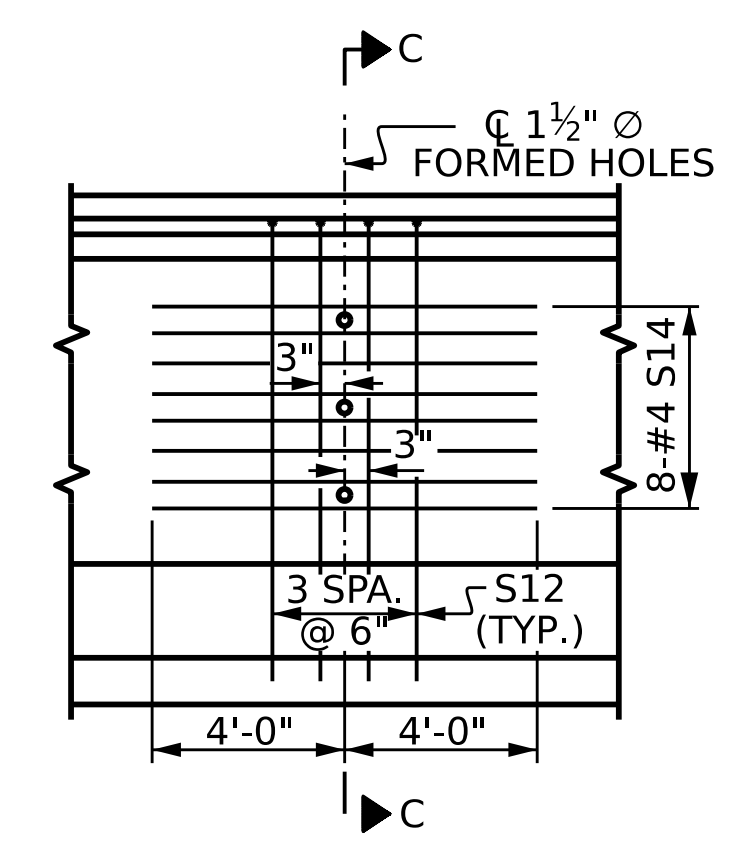
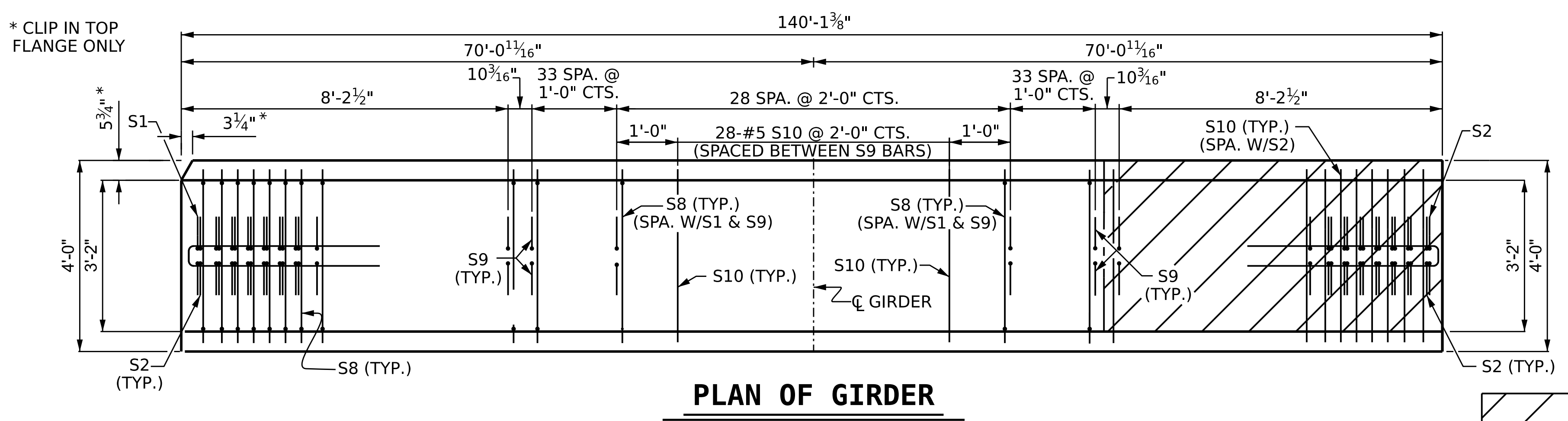
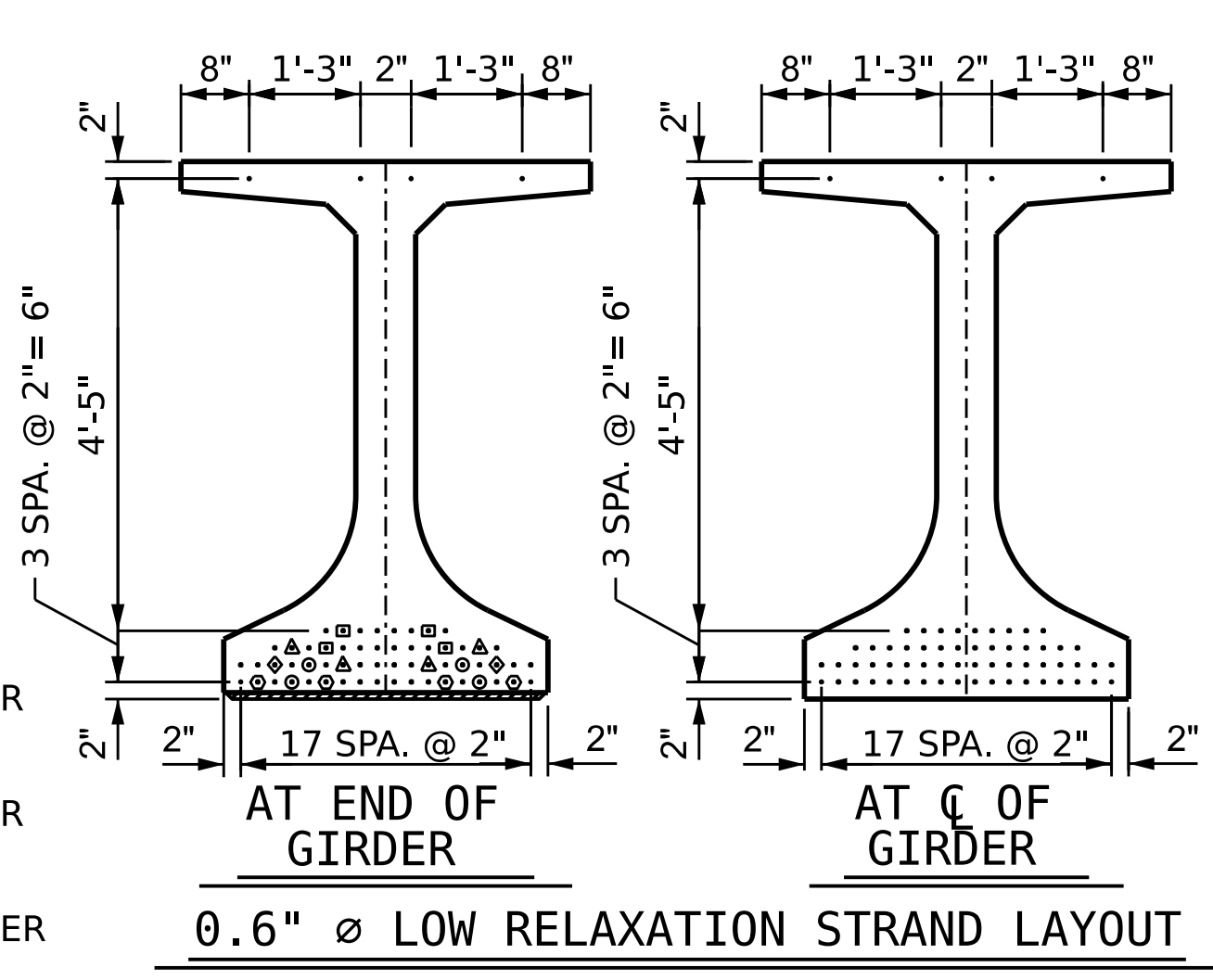
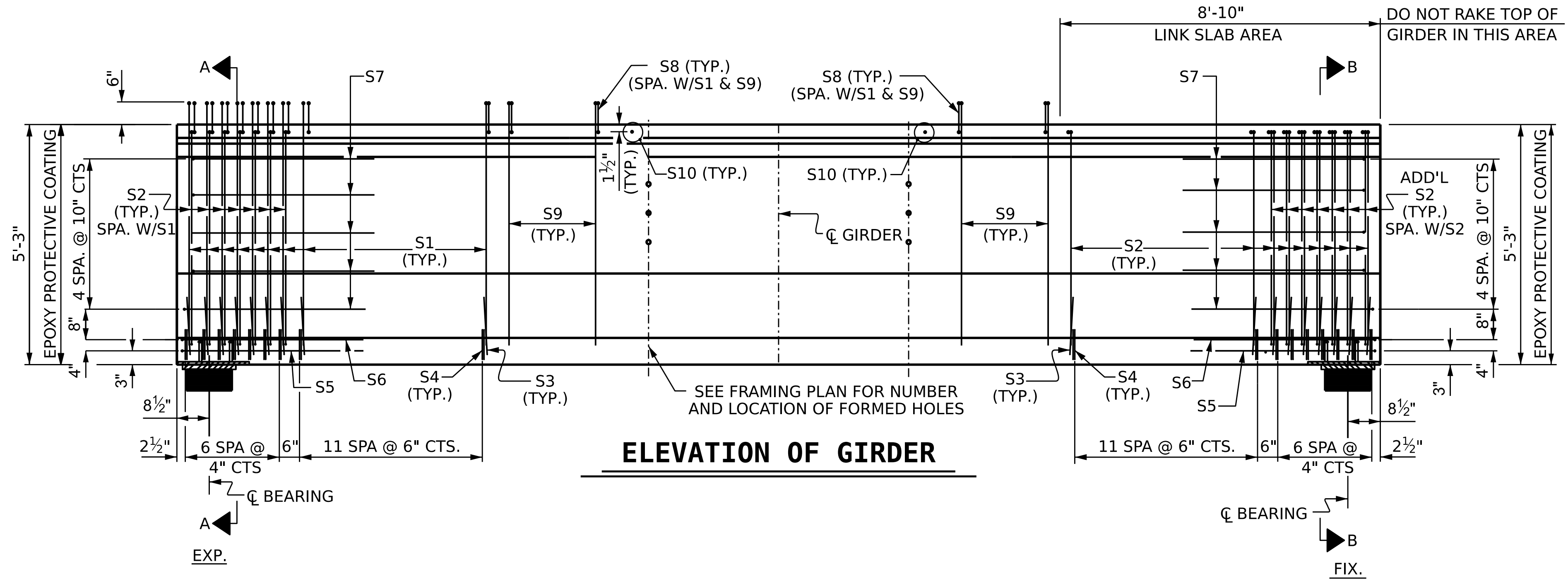


1 1/2" Ø FORMED HOLE. SEE FRAMING PLAN FOR LOCATION. FOR DIM. "A", "B" & "C" SEE "INTERMEDIATE STEEL DIAPHRAGMS" SHEET.

- DEBONDING LEGEND**
- FULLY BONDED STRANDS
 - STRANDS DEBONDED FOR 4'-0" FROM END OF GIRDER
 - STRANDS DEBONDED FOR 8'-0" FROM END OF GIRDER
 - STRANDS DEBONDED FOR 14'-0" FROM END OF GIRDER
 - STRANDS DEBONDED FOR 18'-0" FROM END OF GIRDER
 - STRANDS DEBONDED FOR 28'-0" FROM END OF GIRDER

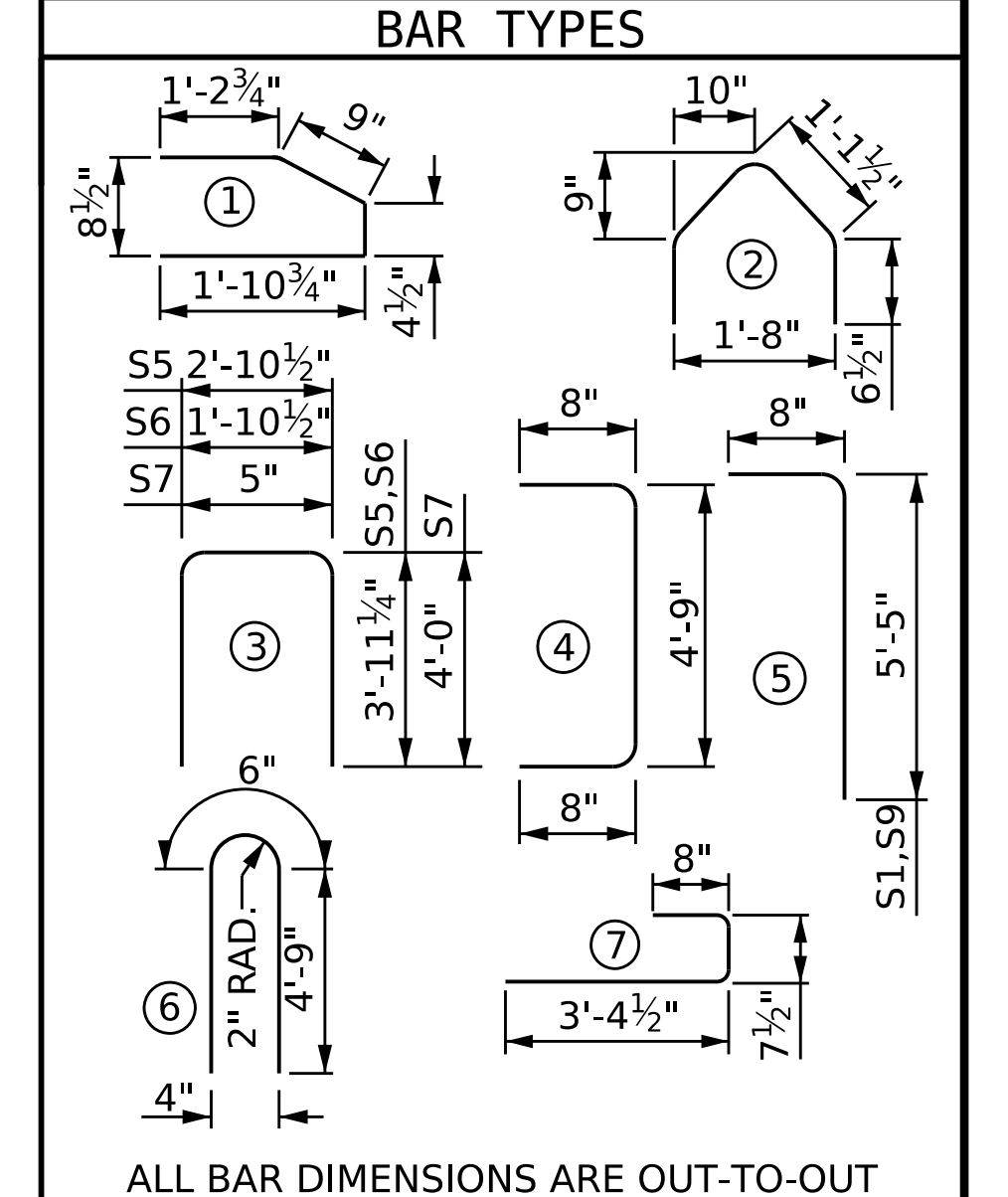


PARTIAL ELEVATION
SHOWING INTERMEDIATE STEEL DIAPHRAGM REINFORCING STEEL FOR GIRDER Nos. 7



| AREA (SQUARE INCHES) | ULTIMATE STRENGTH (LBS. PER STRAND) | APPLIED PRESTRESS (LBS. PER STRAND) |
|----------------------|-------------------------------------|-------------------------------------|
| 0.217 | 58,600 | 43,950 |

| REINFORCING STEEL FOR ONE GDR | | | | | |
|-------------------------------|--------|------|------|--------|--------|
| BAR | NUMBER | SIZE | TYPE | LENGTH | WEIGHT |
| S1 | 38 | #5 | 5 | 6'-1" | 241 |
| S2 | 66 | #5 | 4 | 6'-1" | 419 |
| S3 | 38 | #3 | 2 | 3'-4" | 48 |
| S4 | 76 | #3 | 1 | 4'-3" | 121 |
| S5 | 2 | #5 | 3 | 10'-9" | 22 |
| S6 | 2 | #5 | 3 | 9'-9" | 20 |
| S7 | 10 | #4 | 3 | 8'-5" | 56 |
| S8 | 228 | #5 | 7 | 4'-8" | 1110 |
| S9 | 190 | #5 | 5 | 6'-1" | 1206 |
| S10 | 47 | #5 | STR | 3'-8" | 180 |
| S12 | 8 | #5 | 6 | 10'-0" | 83 |
| S14 | 16 | #4 | STR | 8'-0" | 86 |



ALL BAR DIMENSIONS ARE OUT-TO-OUT

| QUANTITIES FOR ONE GIRDER | | |
|---------------------------|------------------|---------------------|
| REINFORCING STEEL | 8500PSI CONCRETE | 0.6" Ø L.R. STRANDS |
| LB. | C.Y. | No. |
| 3592 | 35.9 | 62 |

| GIRDERS REQUIRED | | |
|------------------|-------------|--------------|
| NUMBER | LENGTH | TOTAL LENGTH |
| 1 | 140'-1 3/8" | 140'-1 3/8" |

PROJECT NO. B-3186 / B-5898
HAYWOOD COUNTY
 STATION: 24+70.00 -L_ LT-
 SHEET 1 OF 7

AECOM
AECOM TECHNICAL SERVICES OF NC, INC.
 5430 WADE PARK BOULEVARD, SUITE 200
 RALEIGH, NC 27607
 (919) 854-0200 www.aecom.com
 AECOM License No. F0242

DESIGNED BY: SPAL
 DATE: 04/19/23
 CHECKED BY: [Signature]
 DATE: 06/06/23
 10/13/2023

STATE OF NORTH CAROLINA
 DEPARTMENT OF TRANSPORTATION
 RALEIGH

63" FLORIDA I-BEAM (FIB)

PRESTRESSED CONCRETE GIRDER

SPAN A GIRDER 7

| REVISIONS | | | | | |
|-----------|-----|-------|-----|-----|-------|
| NO. | BY: | DATE: | NO. | BY: | DATE: |
| 1 | | | 3 | | |
| 2 | | | 4 | | |

SHEET NO. **S3-17**
 TOTAL SHEETS **50**

DRAWN BY: T. NEAL DATE: 04/2023
 CHECKED BY: D. TUTTLE DATE: 05/2023
 DESIGN ENGINEER OF RECORD: D. TUTTLE DATE: 06/2023

DOCUMENT NOT CONSIDERED FINAL UNLESS ALL SIGNATURES COMPLETED