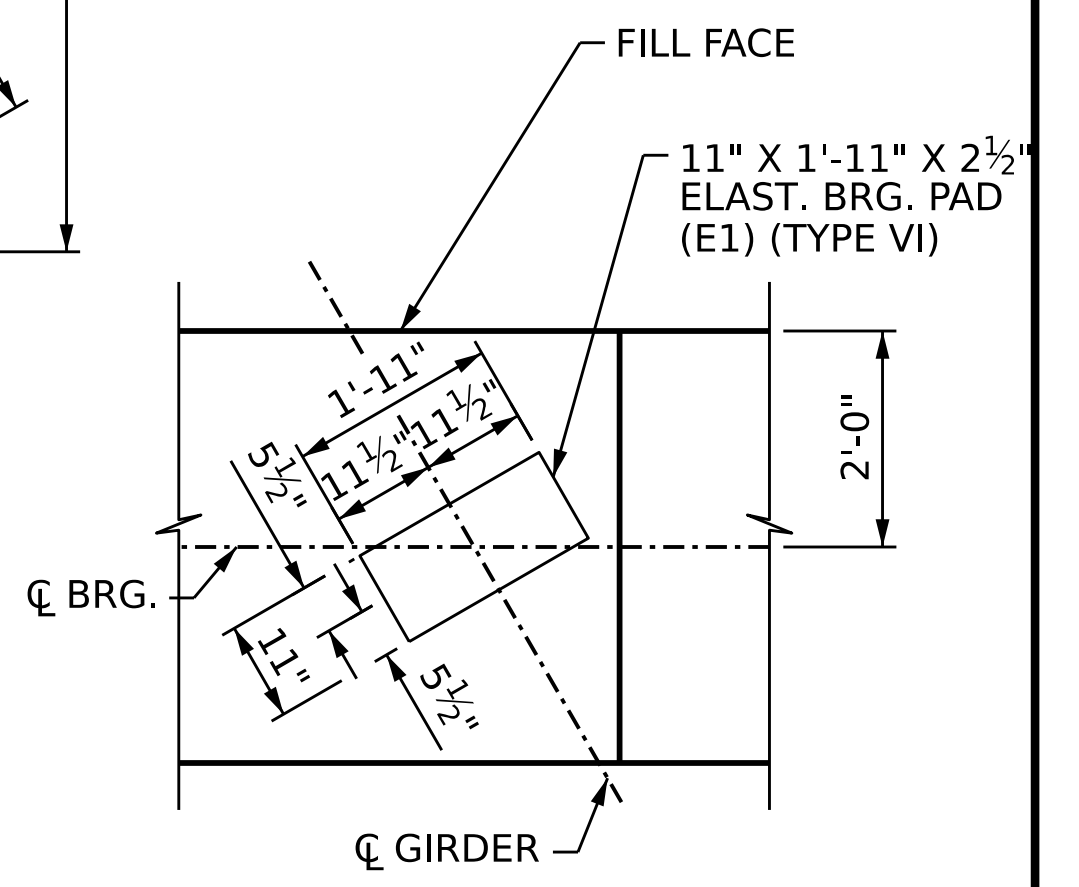


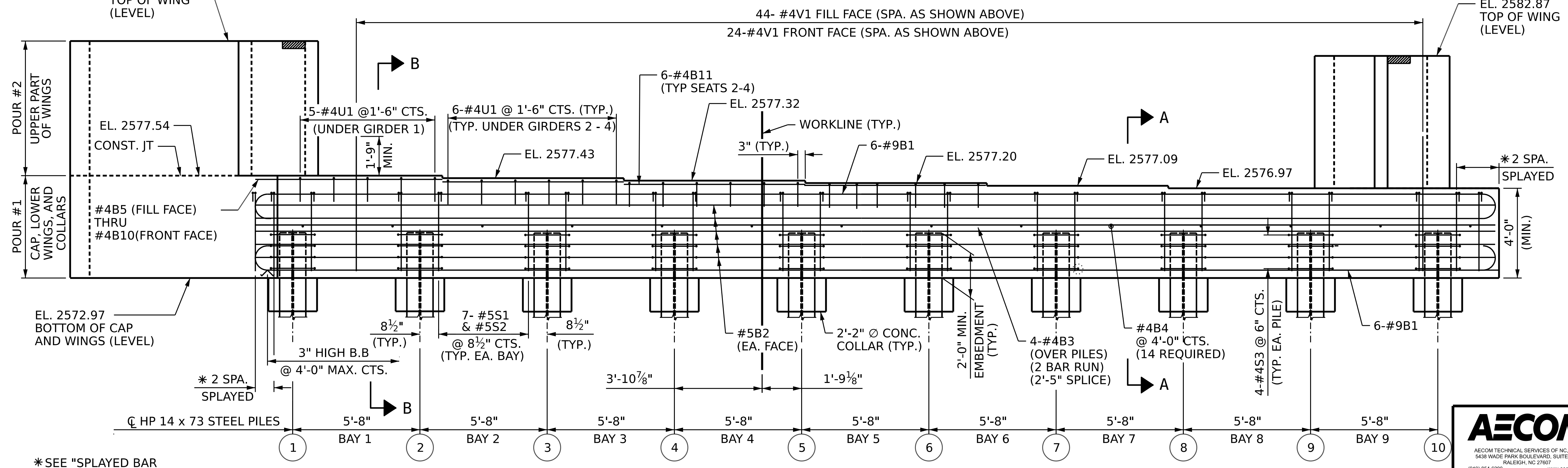
PLAN

NOTES:

- THE TOP SURFACE OF THE END BENT CAP AND WINGS EXCEPT THE BEARING AREA AND AREA BEYOND THE LIMITS OF THE DECK SHALL BE RAKED TO A DEPTH OF 1/4".
- THE TOP SURFACE OF THE INTEGRAL END BENT CAP, BEYOND THE LIMITS OF THE DECK, SHALL BE SLOPED TRANSVERSELY FROM THE FILL FACE TO THE FRONT FACE AT THE RATE OF 2%.
- FOR WING DETAILS AND BLOCKOUT, SEE SHEET 2 OF 3.
- FOR SECTION A-A, SECTION B-B, PILE SPLICE DETAILS, AND TEMPORARY DRAINAGE DETAILS, SEE SHEET 3 OF 3.



DETAIL "A"



ELEVATION

PROJECT NO. B-3186 / B-5898
HAYWOOD COUNTY
 STATION: 24+42.26 -L_RT-
 SHEET 1 OF 3

AECOM
AECOM TECHNICAL SERVICES OF NC, INC.
 5430 WADE PARK BOULEVARD, SUITE 200
 RALEIGH, NC 27607
 (919) 854-6200 www.aecom.com
 AECOM License No. F0242

SEAL
 054212
 APR 2023
 A.K. VASUDEVAN
 ENGINEER

| | | | | | |
|--|-----|-------|-----|-----|-------|
| STATE OF NORTH CAROLINA DEPARTMENT OF TRANSPORTATION RALEIGH | | | | | |
| SUBSTRUCTURE | | | | | |
| INTEGRAL END BENT 2 | | | | | |
| REVISIONS | | | | | |
| NO. | BY: | DATE: | NO. | BY: | DATE: |
| 1 | | | 3 | | |
| 2 | | | 4 | | |
| SHEET NO. | | | | | S2-25 |
| TOTAL SHEETS | | | | | 31 |

| | | | |
|----------------------------|---------------|--------|---------|
| DRAWN BY : | S.NATARAJAN | DATE : | 05/2023 |
| CHECKED BY : | A.K.VASUDEVAN | DATE : | 05/2023 |
| DESIGN ENGINEER OF RECORD: | A.K.VASUDEVAN | DATE : | 06/2023 |

DOCUMENT NOT CONSIDERED
 FINAL UNLESS ALL
 SIGNATURES COMPLETED

10/18/2023