

NOTES

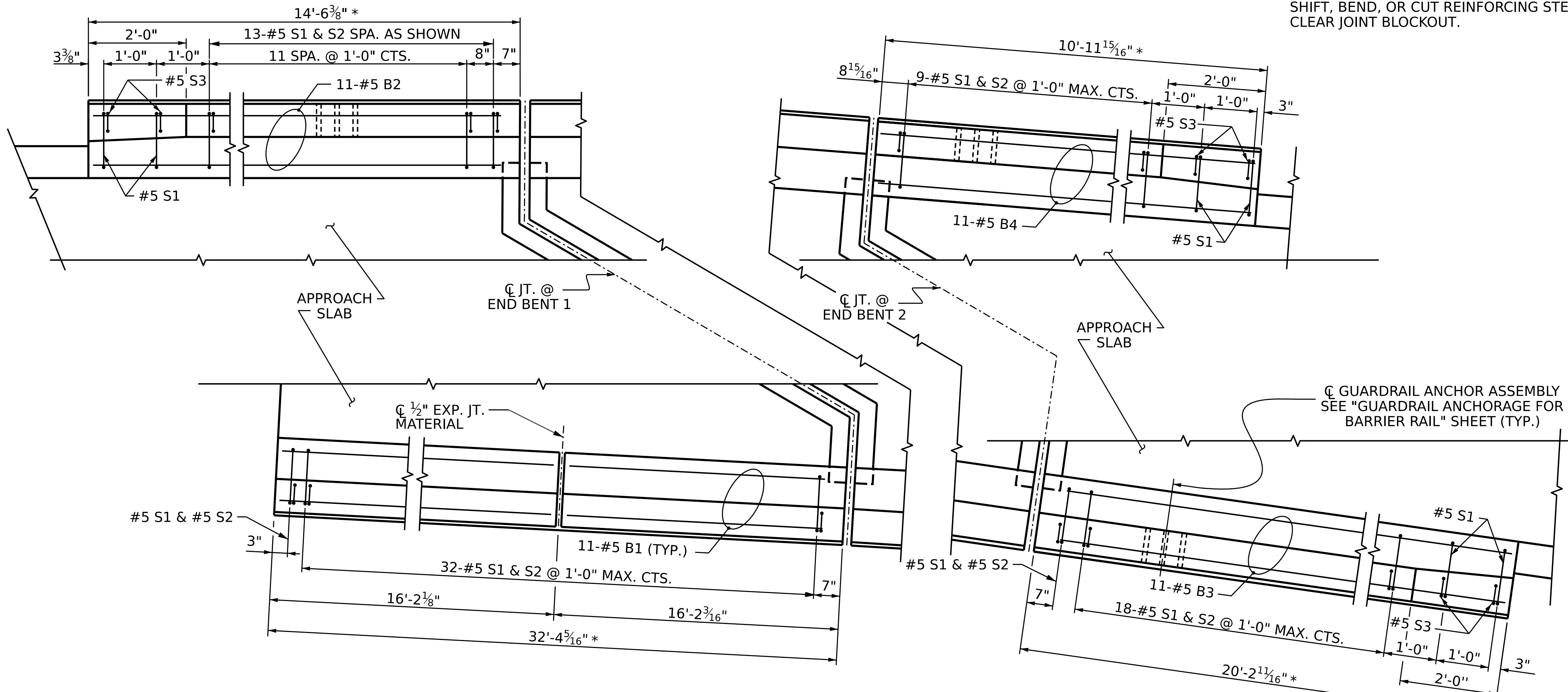
THE COST OF THE BARRIER RAIL ON THE APPROACH SLAB SHALL BE INCLUDED IN THE LINEAR FOOT CONTRACT PRICE BID FOR "CONCRETE BARRIER RAIL".

THE BARRIER RAIL ON EACH APPROACH SLAB SHALL NOT BE CAST UNTIL ALL APPROACH SLAB CONCRETE HAS BEEN CAST AND HAS REACHED A MINIMUM COMPRESSIVE STRENGTH OF 3,000 PSI.

ALL REINFORCING STEEL IN BARRIER RAILS SHALL BE EPOXY COATED.

SHIFT, BEND, OR CUT REINFORCING STEEL AS NECESSARY TO CLEAR JOINT BLOCKOUT.

BILL OF MATERIAL					
CONCRETE BARRIER RAIL ON APPROACH SLABS					
BAR	NO.	SIZE	TYPE	LENGTH	WEIGHT
* B1	22	5	STR	15'-9"	361
* B2	11	5	STR	14'-3"	163
* B3	11	5	STR	19'-11"	229
* B4	11	5	STR	10'-8"	122
* S1	80	5	1	5'-1"	424
* S2	74	5	2	7'-0"	540
* S3	6	5	2	5'-6"	34
* EPOXY COATED REINFORCING STEEL					1,873 LBS.
CLASS AA CONCRETE					10.5 C.Y.
CONCRETE BARRIER RAIL					78.1 L.F.
BAR TYPES					
ALL BAR DIMENSIONS ARE OUT TO OUT.					

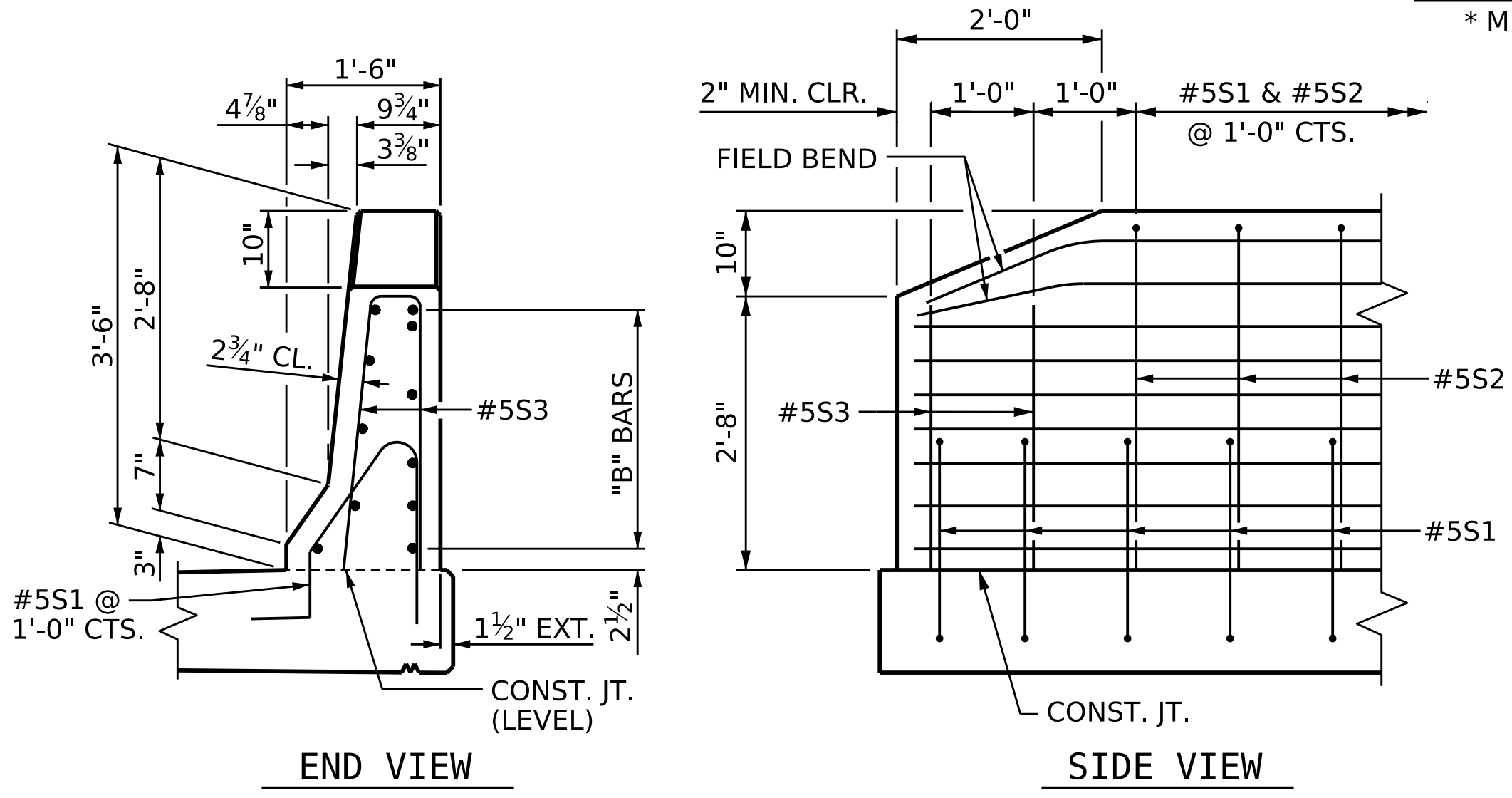


END BENT 1

PLAN OF BARRIER RAIL

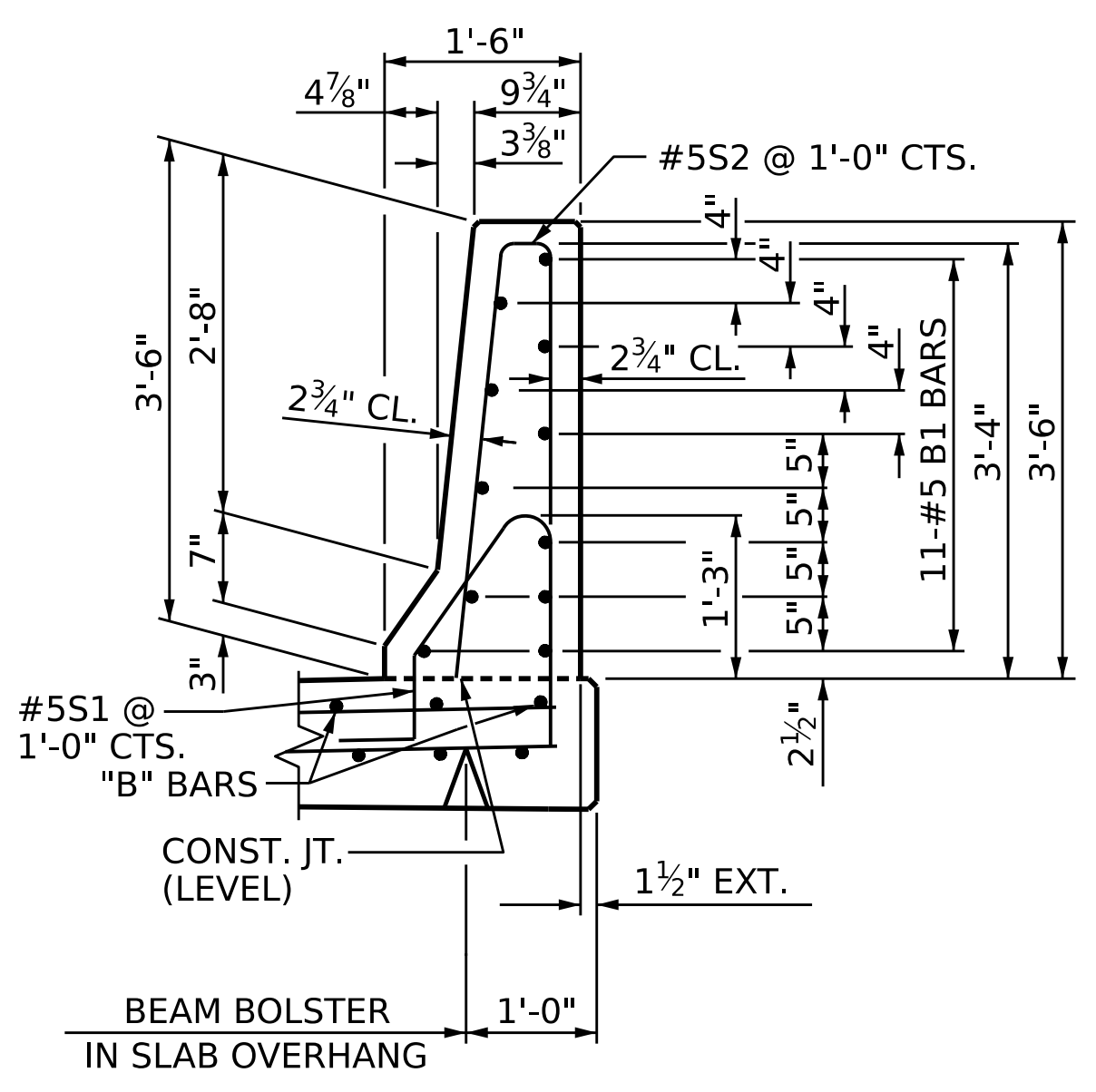
* MEASURED ALONG EDGE OF APP. SLAB.

END BENT 2



END OF RAIL DETAILS

DOES NOT APPLY AT END BENT 1, RIGHT SIDE



SECTION THRU RAIL

DOCUMENT NOT CONSIDERED FINAL UNLESS ALL SIGNATURES COMPLETED

PROJECT NO. B-3186 / B-5898
HAYWOOD COUNTY
STATION: 32+21.34 -L_ LT-
SHEET 3 OF 3

AECOM
AECOM TECHNICAL SERVICES OF NC, INC.
5438 WADE PARK BOULEVARD, SUITE 200
RALEIGH, NC 27607
(919) 854-6200
www.aecom.com
AECOM License No. F0242

PROFESSIONAL ENGINEER
SEAL
041343
GREGORY R. COLS

10/18/2023

STATE OF NORTH CAROLINA DEPARTMENT OF TRANSPORTATION RALEIGH					
APPROACH SLAB DETAILS					
REVISIONS					SHEET NO.
NO.	BY:	DATE:	NO.	BY:	DATE:
1			3		
2			4		
					S1-43
					TOTAL SHEETS 43

DRAWN BY :	M.L. CATER	DATE :	04/2023
CHECKED BY :	S. NATARAJAN	DATE :	04/2023
DESIGN ENGINEER OF RECORD:	G. COLS	DATE :	04/2023