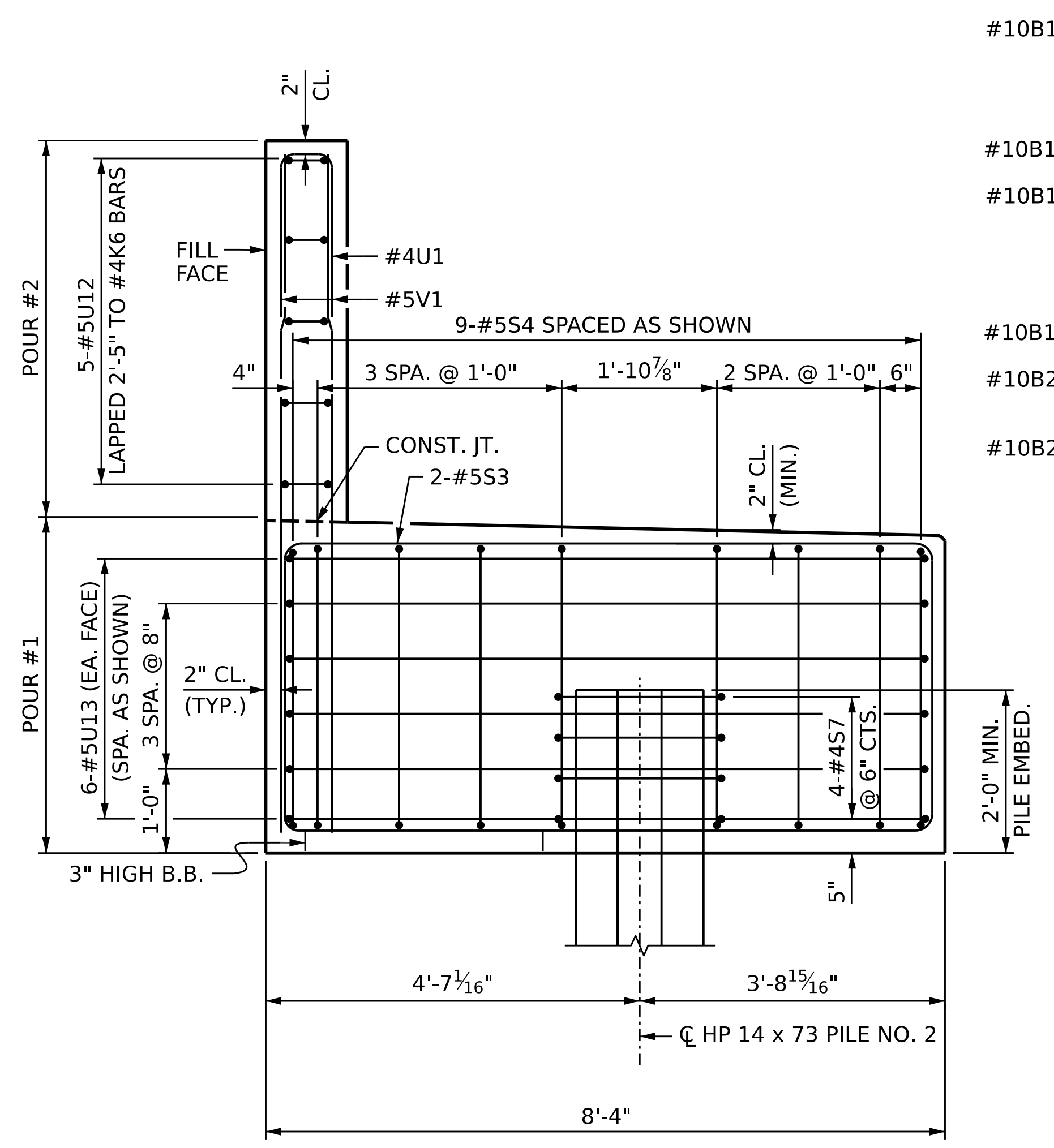
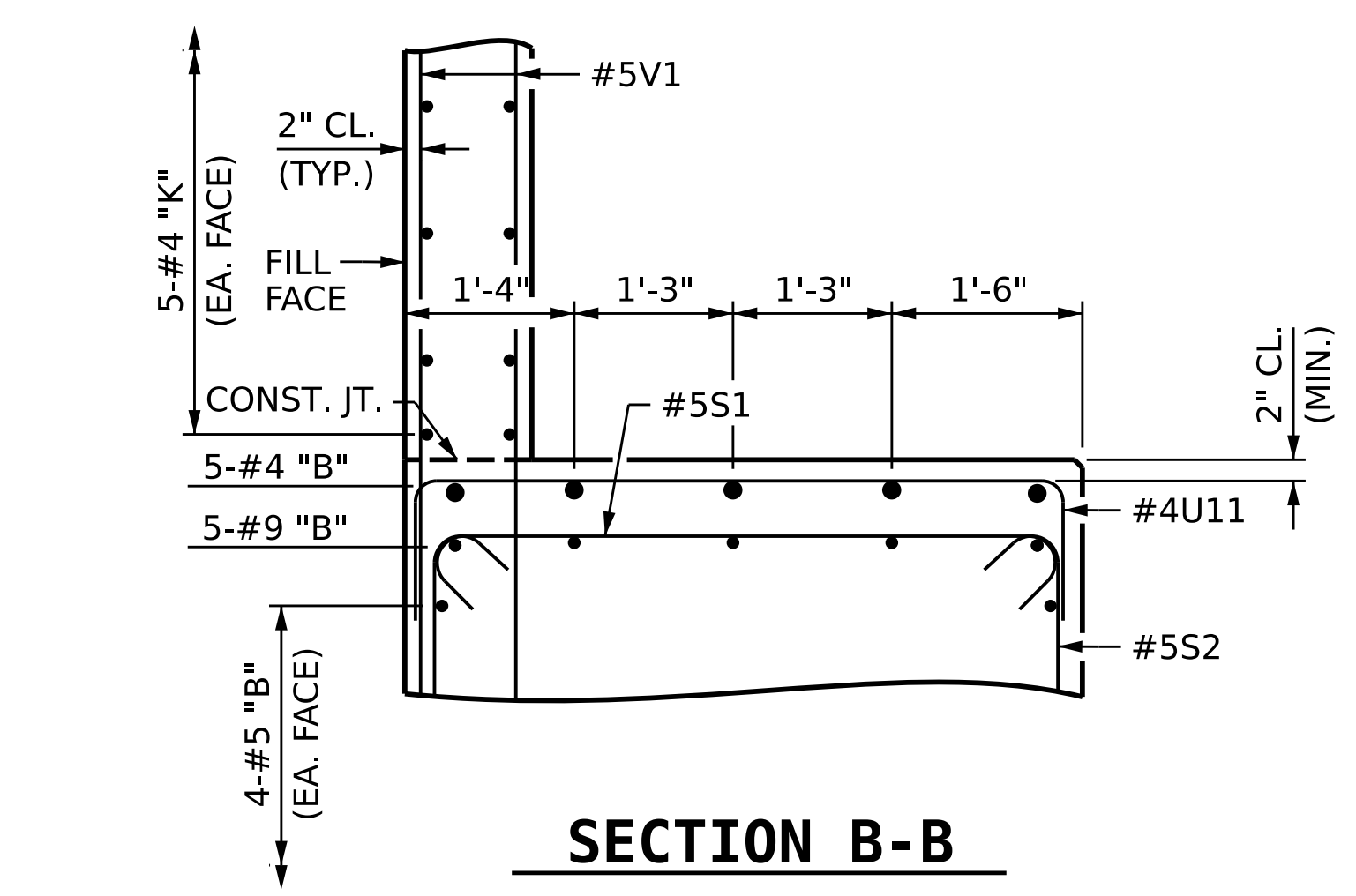


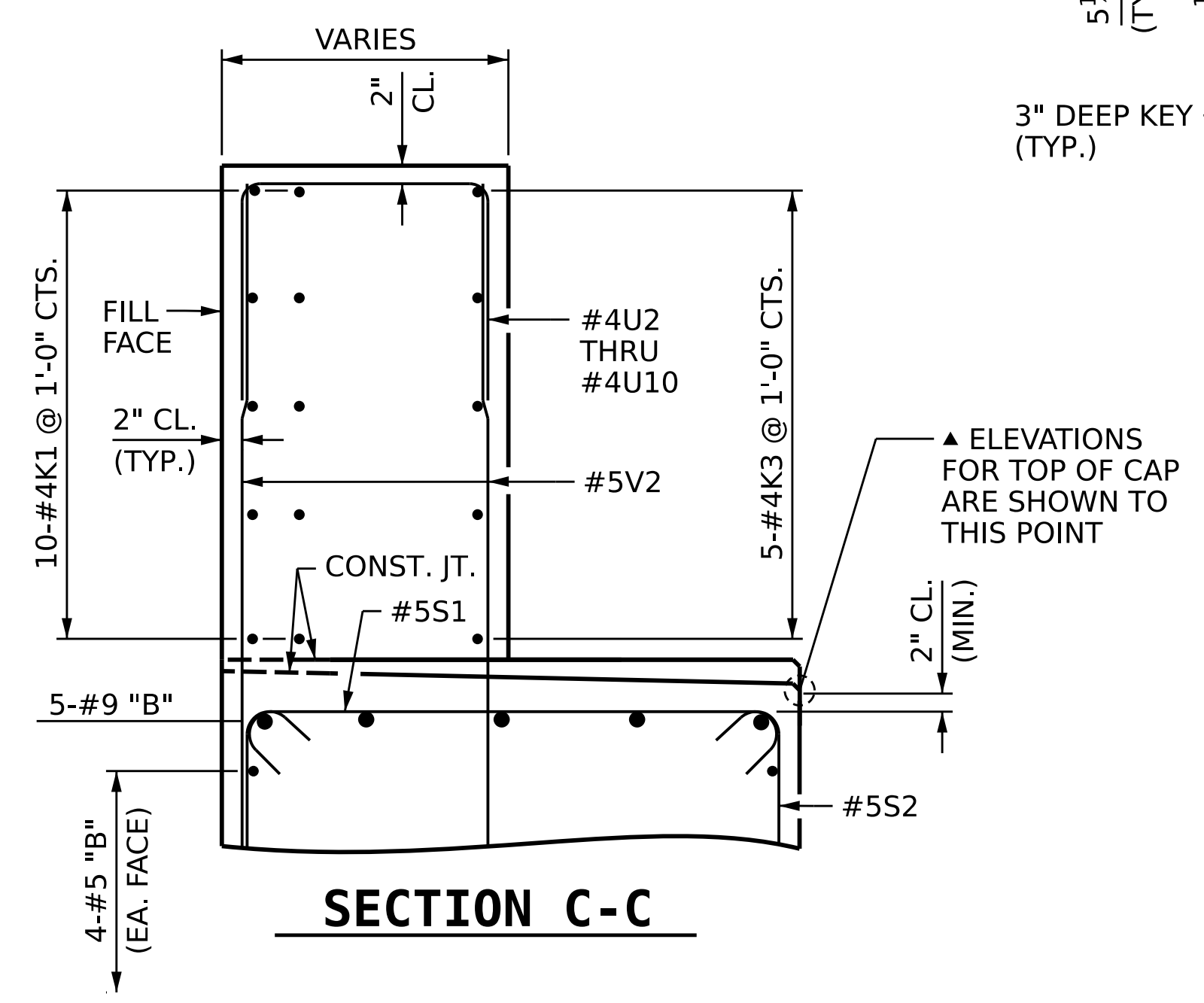
SECTION A-A



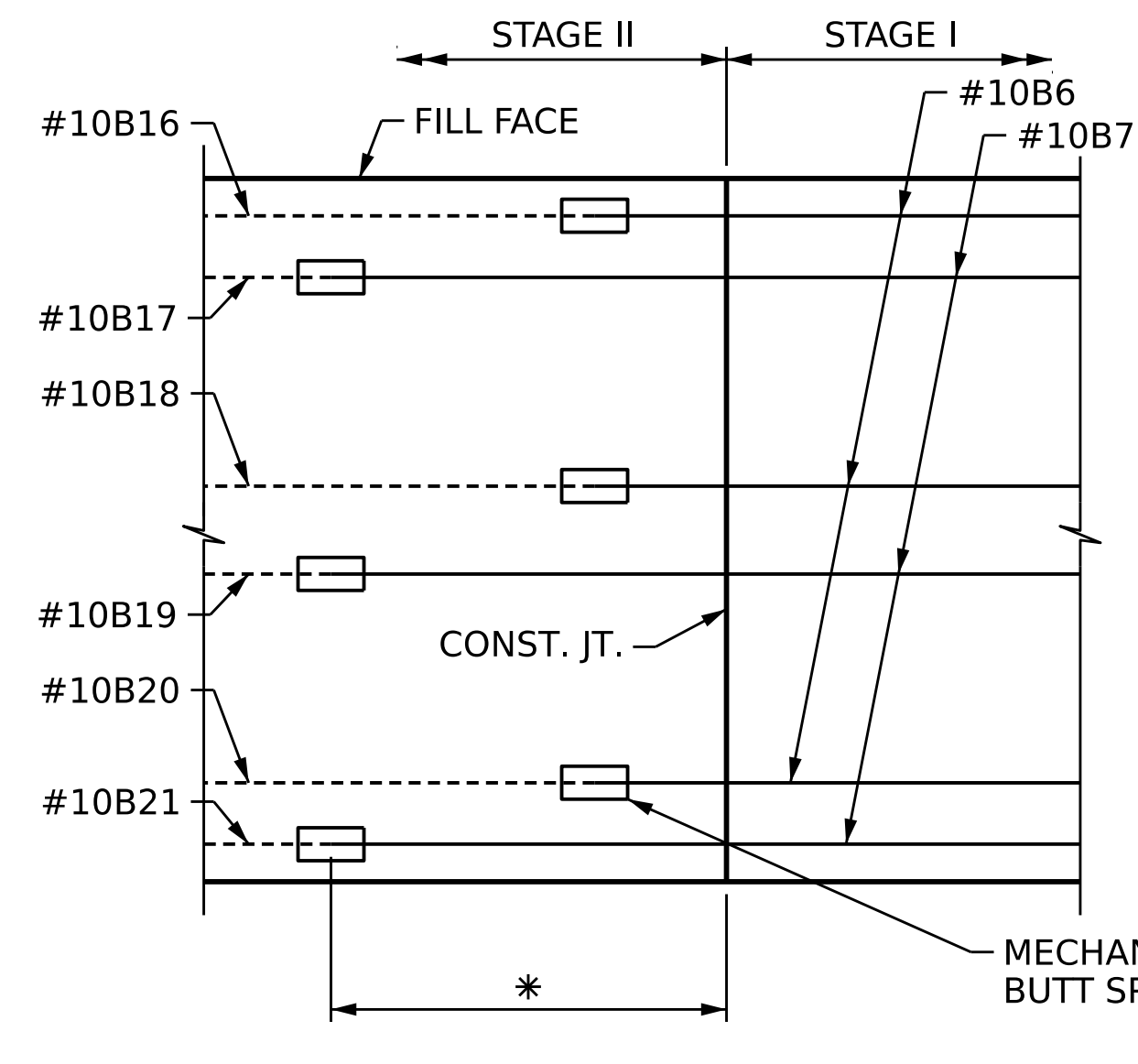
SECTION D-D



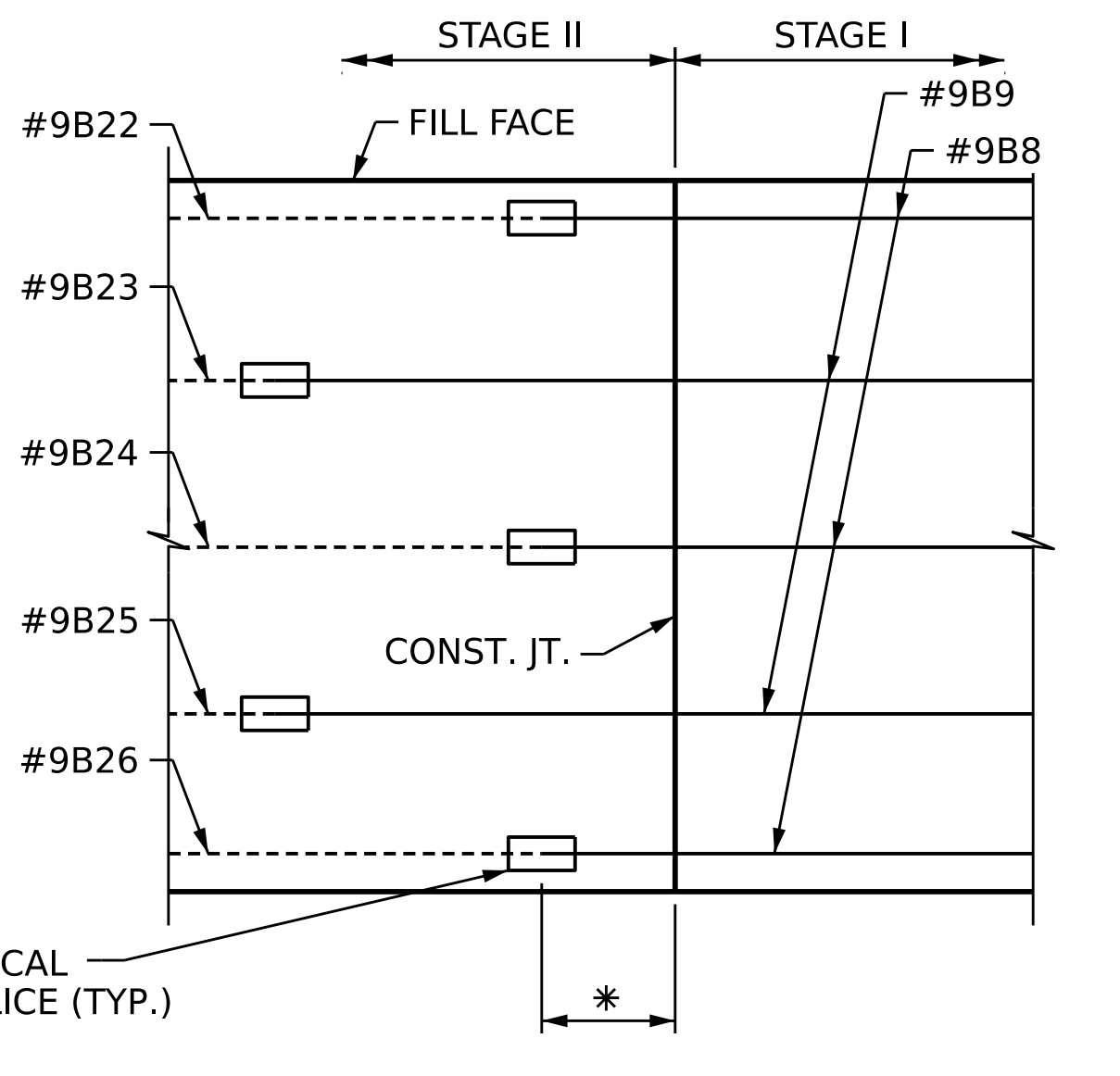
SECTION B-B



SECTION C-C



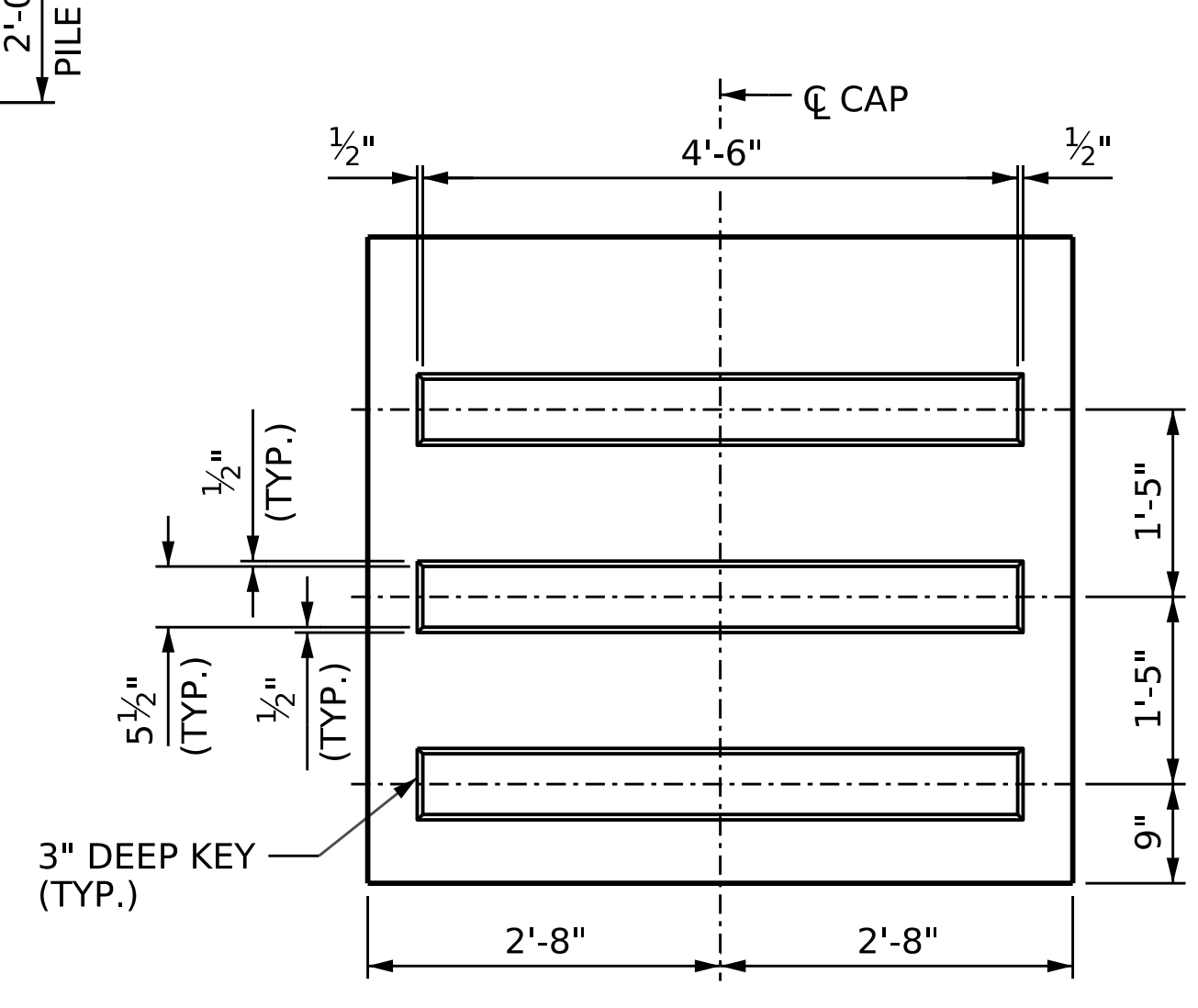
PLAN OF BOTTOM REINFORCEMENT



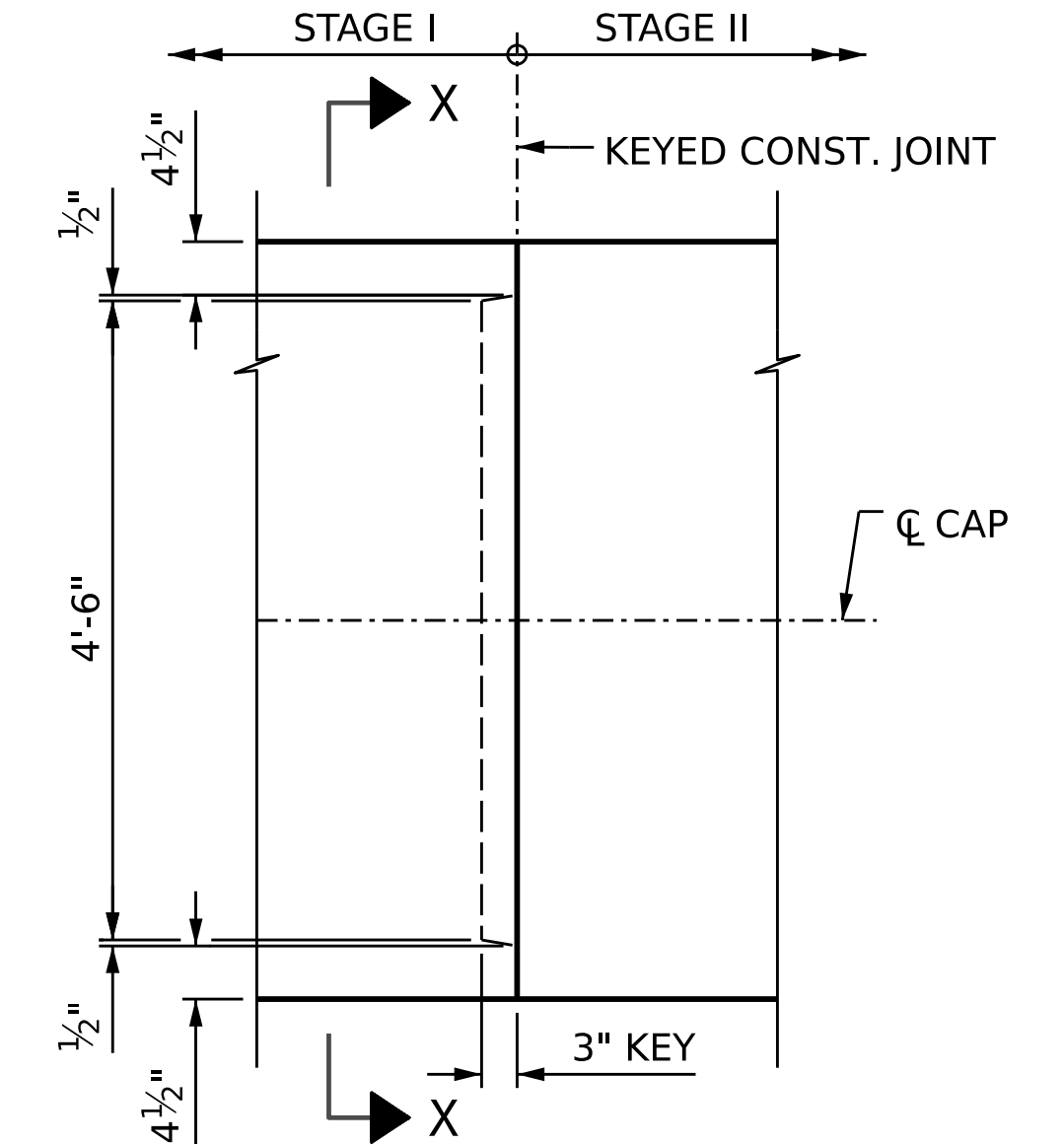
PLAN OF TOP REINFORCEMENT

DETAIL "C"

* STAGE I TOP AND BOTTOM "B" BARS ARE DETAILED WITH STAGGERED 1'-0" AND 3'-0" EXTENSIONS BEYOND CONSTRUCTION JOINT



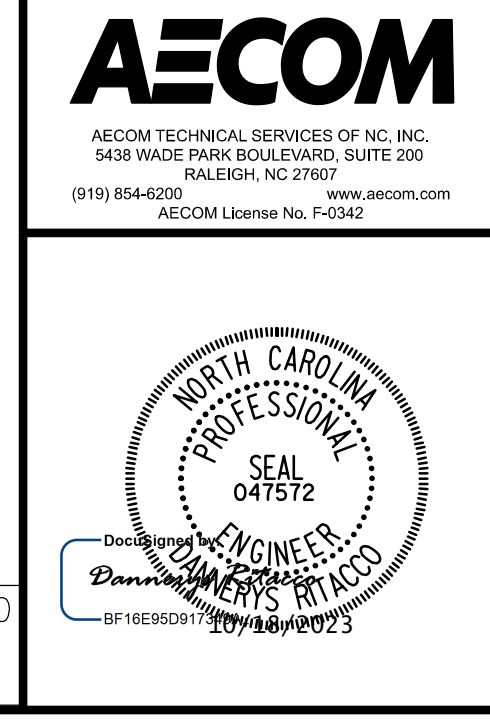
SECTION X-X



PLAN

KEYED CONSTRUCTION JOINT DETAIL

PROJECT NO. B-3186 / B-5898
HAYWOOD COUNTY
 STATION: 32+21.34 -L LT-
 SHEET 5 OF 6



STATE OF NORTH CAROLINA DEPARTMENT OF TRANSPORTATION RALEIGH					
SUBSTRUCTURE END BENT 2 SECTIONS & DETAILS					
REVISIONS					
NO.	BY:	DATE:	NO.	BY:	DATE:
1			3		
2			4		
SHEET NO.					S1-38
TOTAL SHEETS					43

DRAWN BY: D. RITACCO DATE: 04/2023
 CHECKED BY: S. NATARAJAN DATE: 04/2023
 DESIGN ENGINEER OF RECORD: D. RITACCO DATE: 04/2023

DOCUMENT NOT CONSIDERED
 FINAL UNLESS ALL
 SIGNATURES COMPLETED