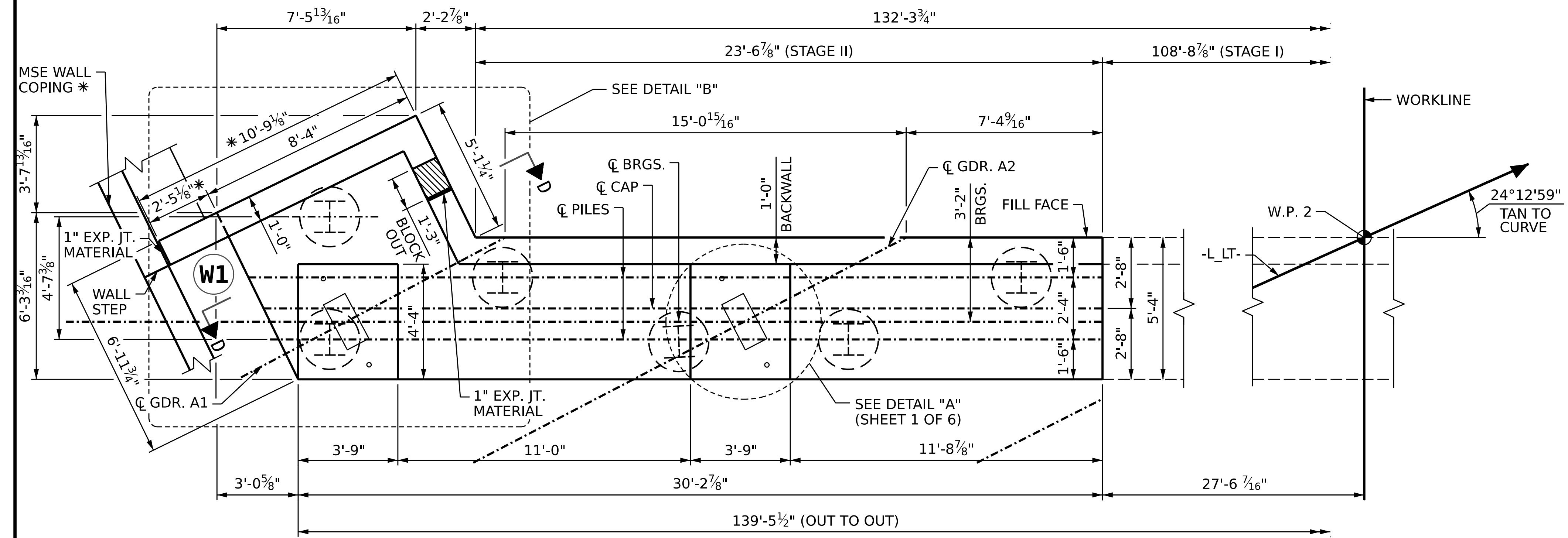
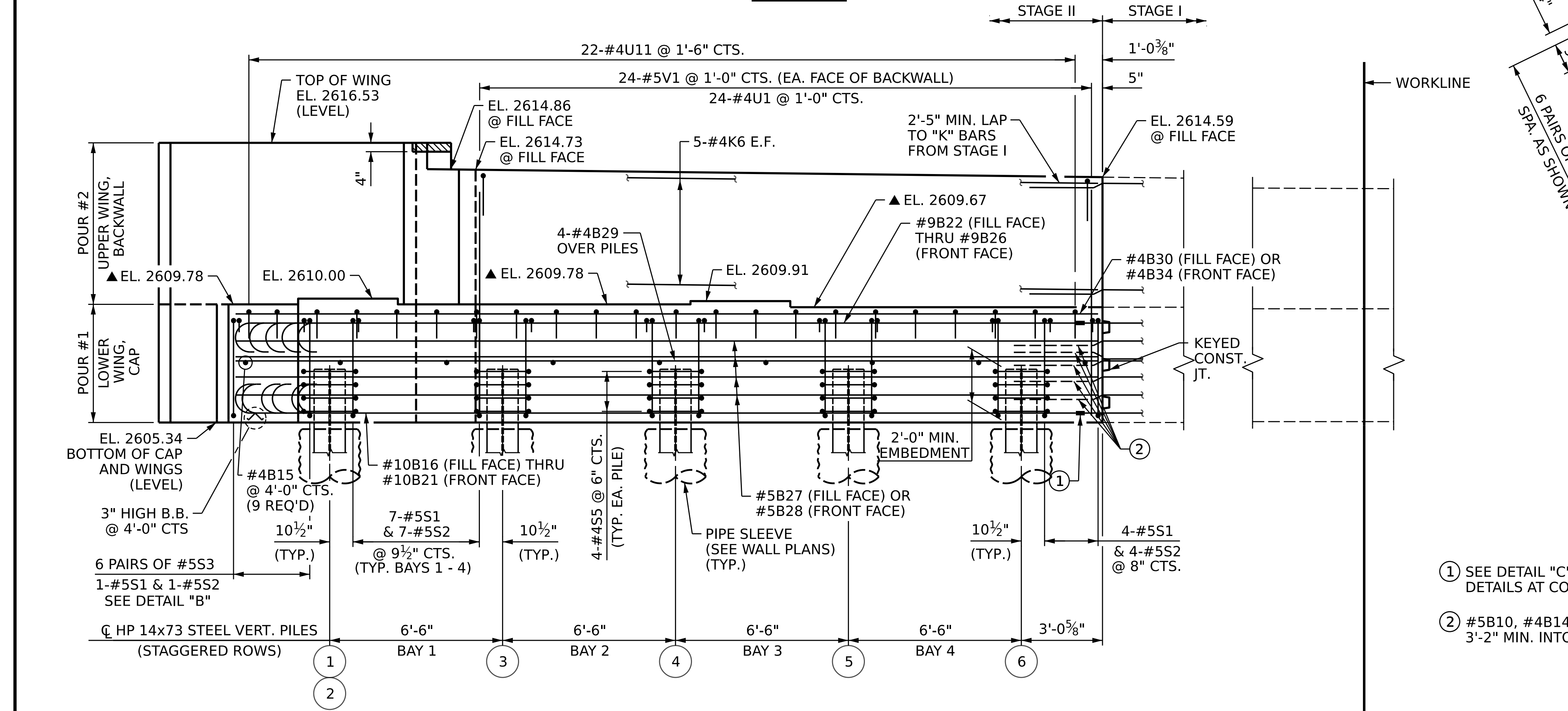


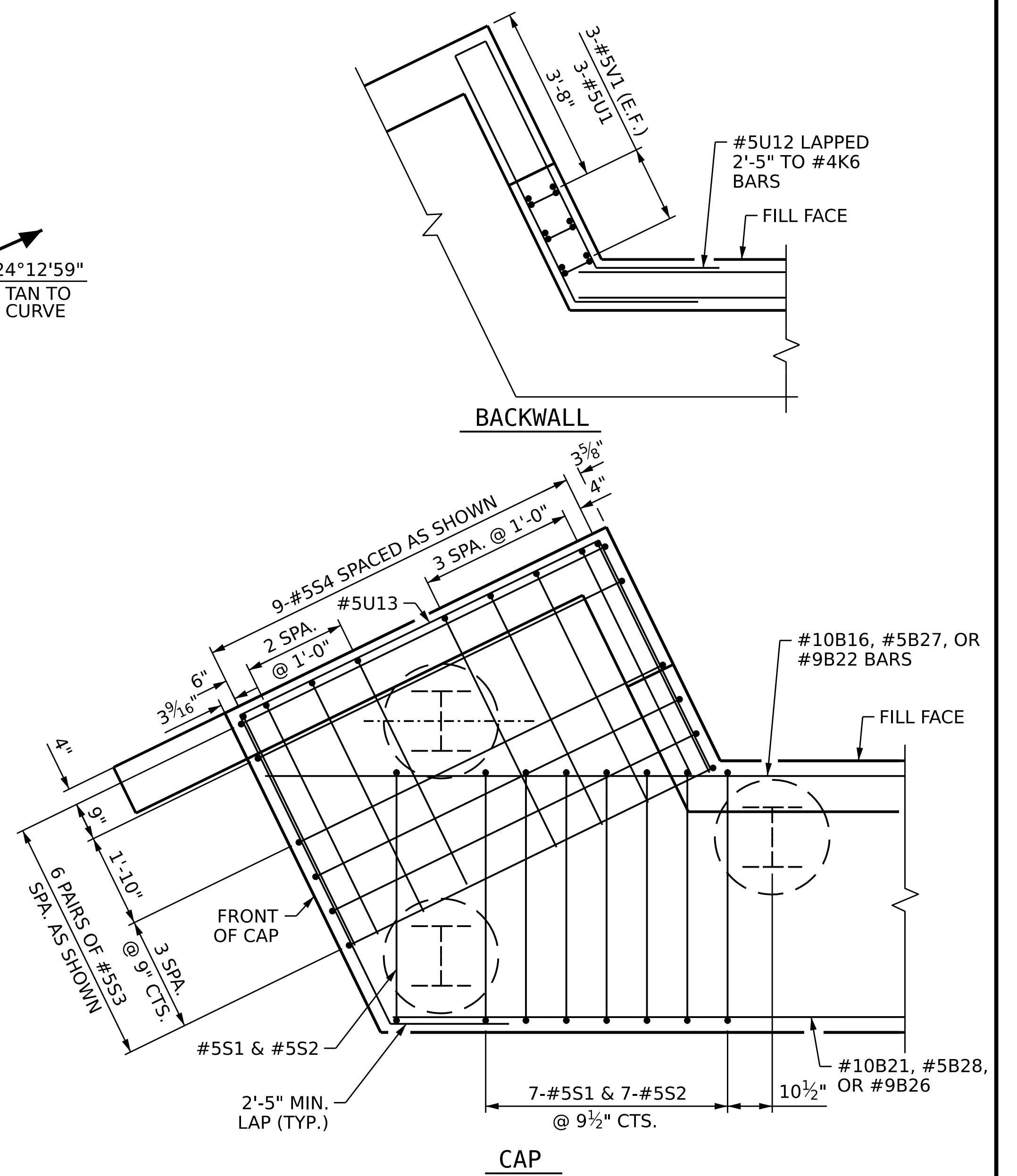
\* A COPING THICKNESS OF 12" WAS ASSUMED FOR ESTABLISHING WING LENGTH. CONTRACTOR SHALL ADJUST WING LENGTH AS NECESSARY.



**PLAN**



**ELEVATION**



**DETAIL "B"**

WINGWALL REINFORCEMENT NOT SHOWN

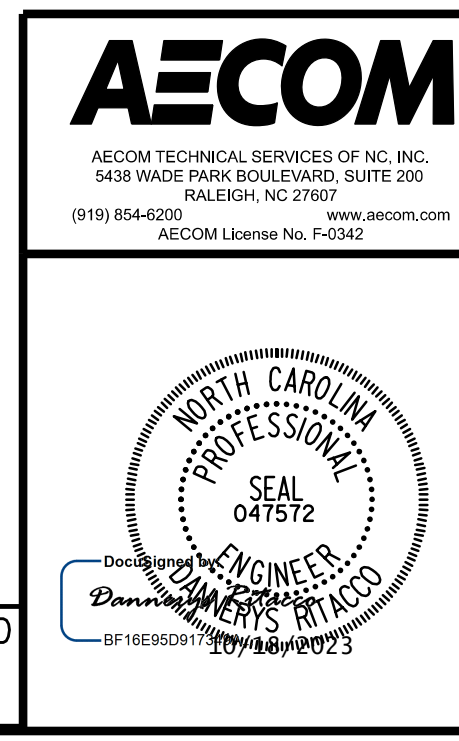
PROJECT NO. B-3186 / B-5898  
HAYWOOD COUNTY  
 STATION: 32+21.34 -L LT-  
 SHEET 3 OF 6

- ① SEE DETAIL "C" FOR REINF. DETAILS AT CONST. JT.
- ② #5B10, #4B14 EXTENDED 3'-2" MIN. INTO STAGE II

▲ FOR LOCATION OF ELEVATIONS BETWEEN BRIDGE SEAT BUILDUPS, SEE SECTION A-A ON SHEET 5.

DRAWN BY :	D. RITACCO	DATE :	04/2023
CHECKED BY :	S. NATARAJAN	DATE :	04/2023
DESIGN ENGINEER OF RECORD :	D. RITACCO	DATE :	04/2023

DOCUMENT NOT CONSIDERED FINAL UNLESS ALL SIGNATURES COMPLETED



REVISIONS						SHEET NO. S1-36
NO.	BY:	DATE:	NO.	BY:	DATE:	
1			3			TOTAL SHEETS 43
2			4			