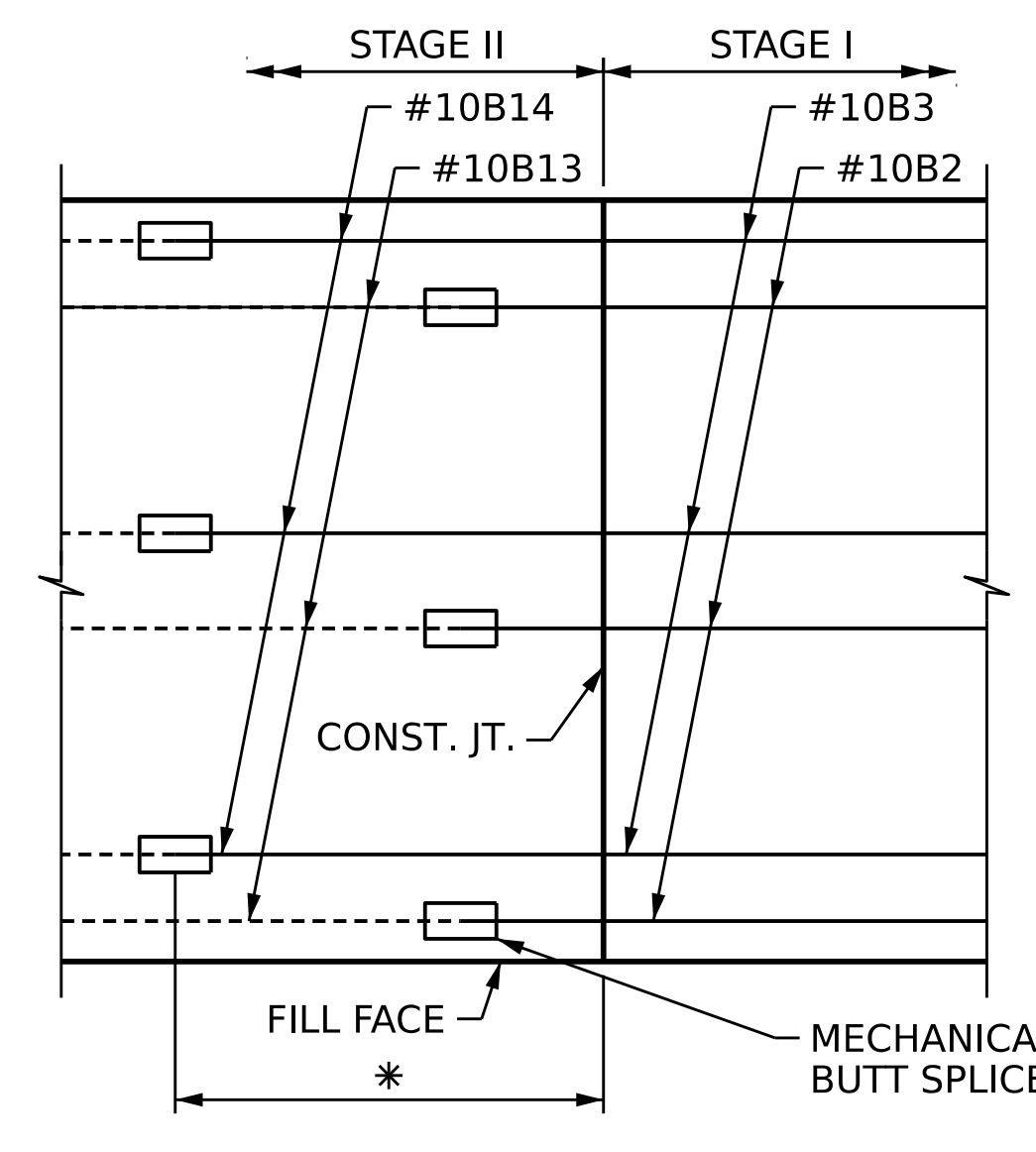
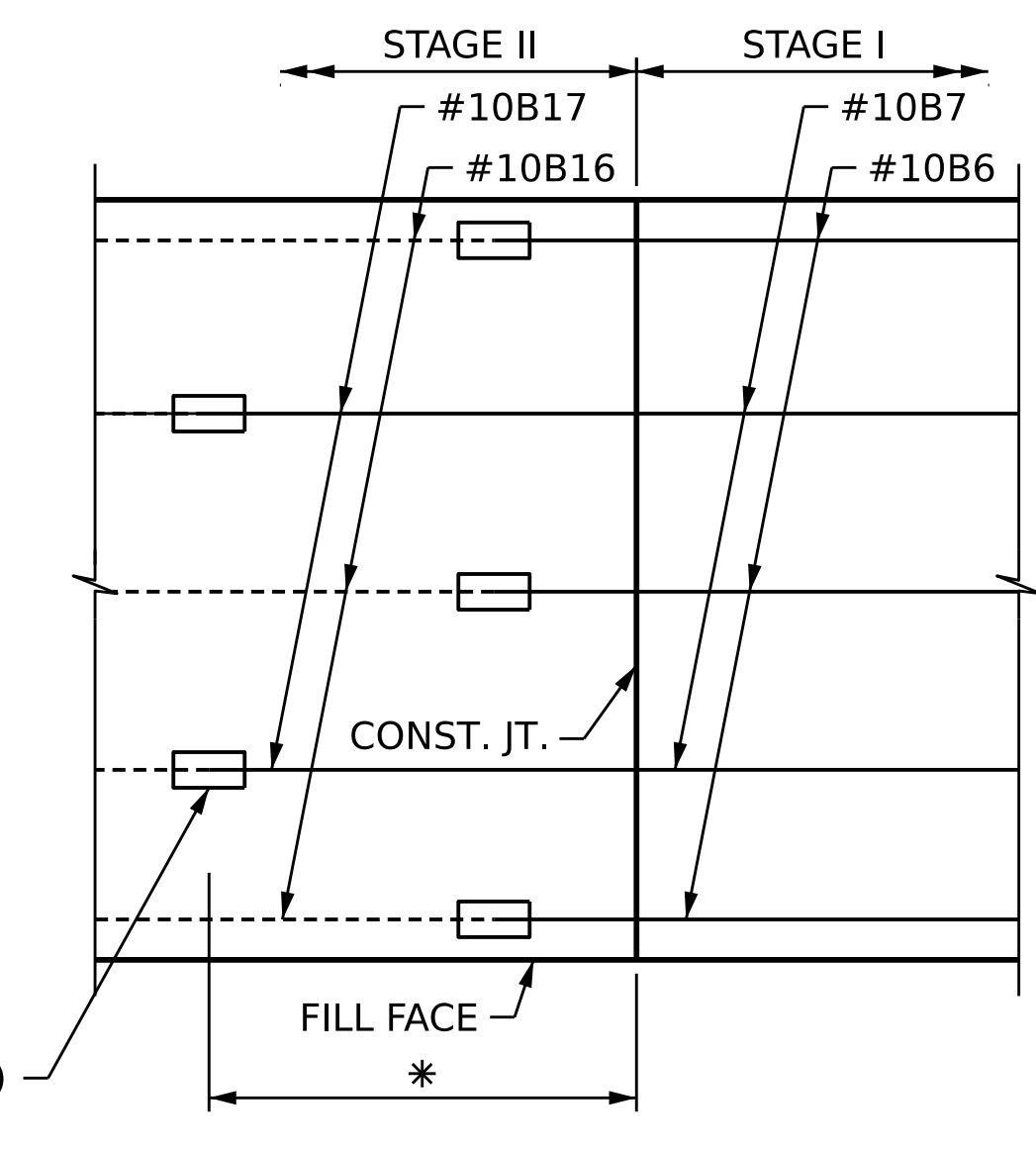


**PLAN OF WING W1**



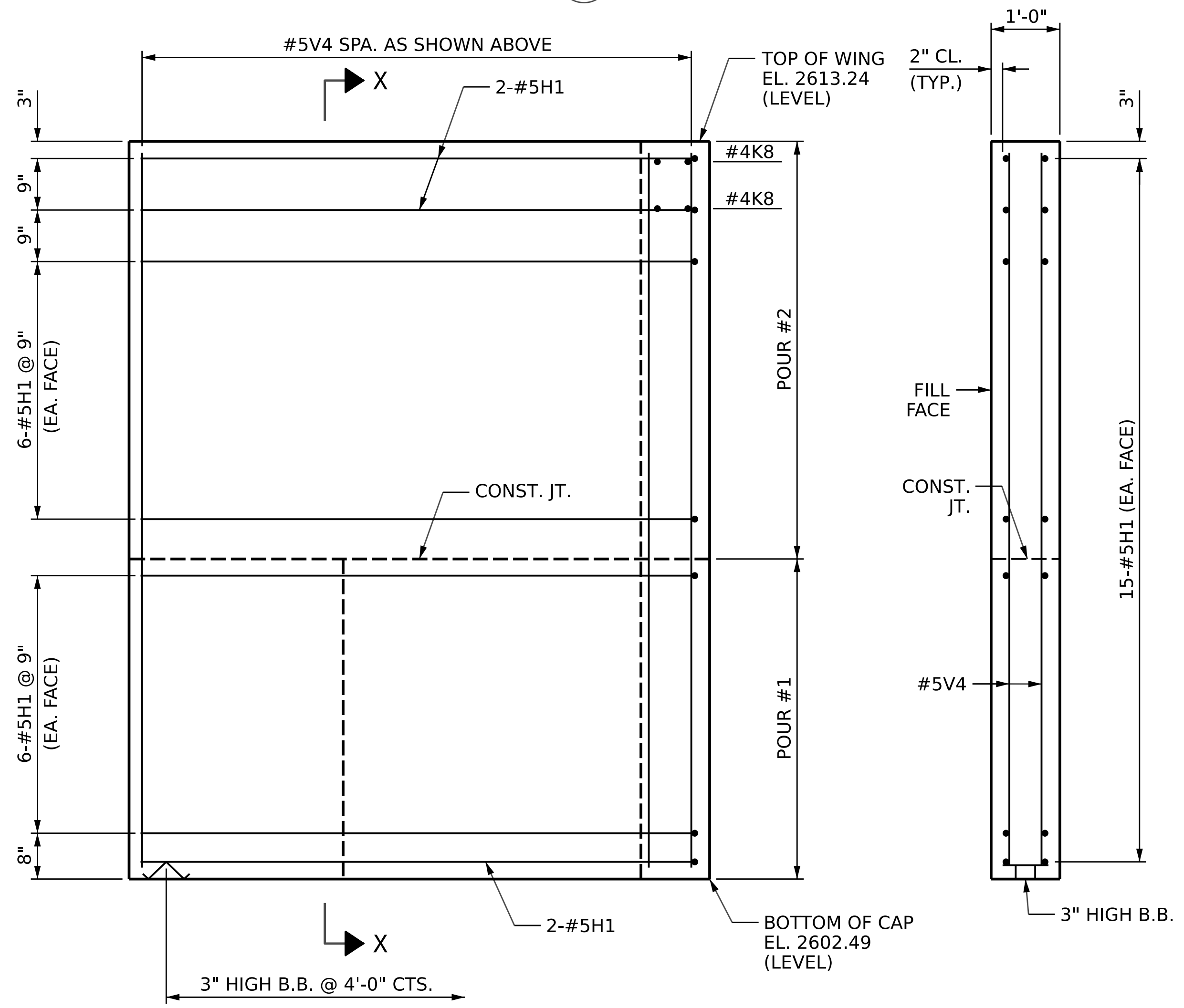
**PLAN OF BOTTOM REINFORCEMENT**



**PLAN OF TOP REINFORCEMENT**

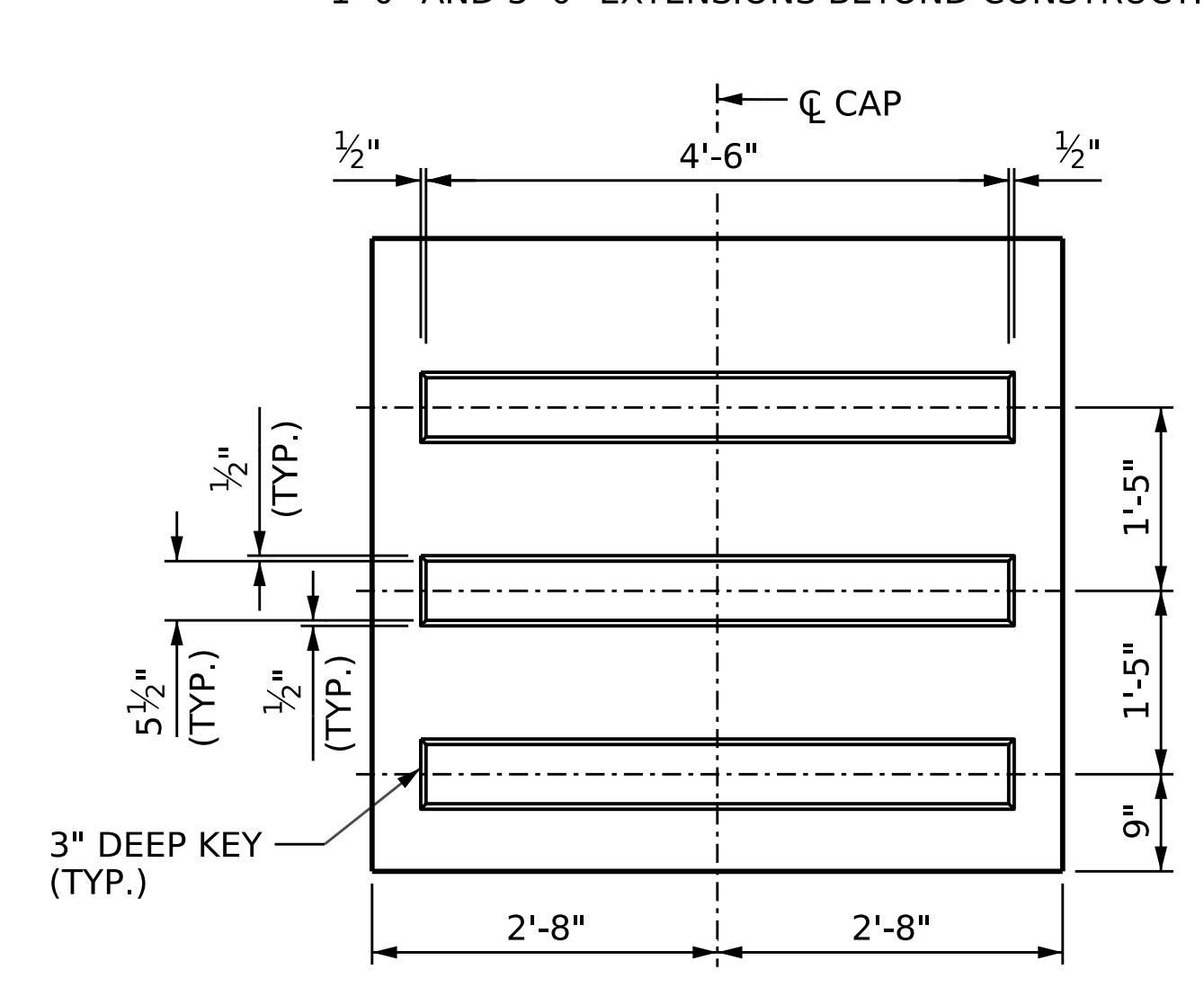
**DETAIL "C"**

\* STAGE I TOP AND BOTTOM "B" BARS ARE DETAILED WITH STAGGERED 1'-0" AND 3'-0" EXTENSIONS BEYOND CONSTRUCTION JOINT

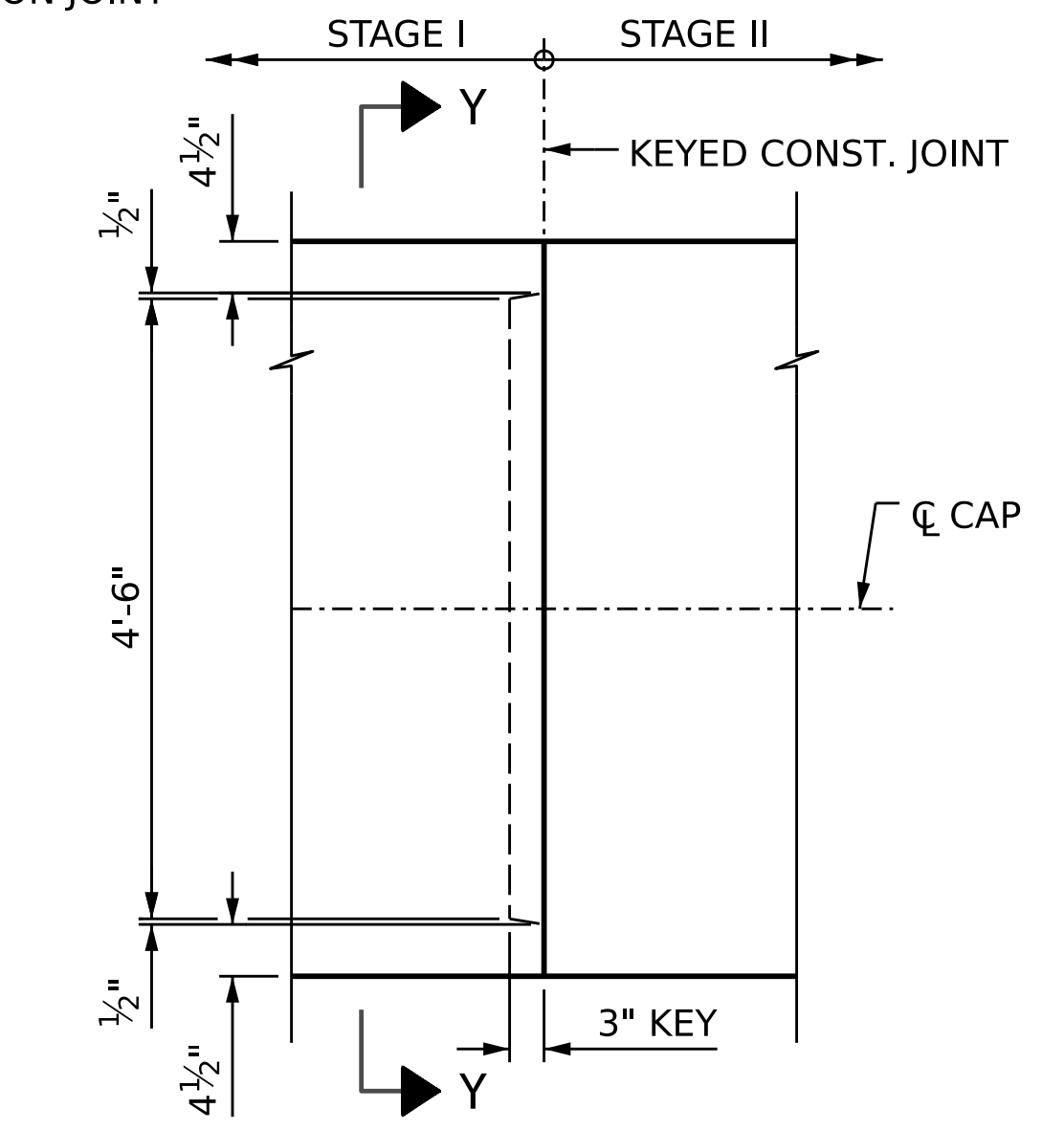


**ELEVATION OF WING W1**

**SECTION X-X**



**SECTION Y-Y**



**PLAN**

**KEYED CONSTRUCTION JOINT DETAIL**

PROJECT NO. B-3186 / B-5898  
HAYWOOD COUNTY  
 STATION: 32+21.34 -L LT-  
 SHEET 4 OF 6

STATE OF NORTH CAROLINA DEPARTMENT OF TRANSPORTATION RALEIGH					
SUBSTRUCTURE <b>END BENT 1</b> WINGWALLS & DETAILS					
REVISIONS					
NO.	BY:	DATE:	NO.	BY:	DATE:
1			3		
2			4		
					SHEET NO. S1-31
					TOTAL SHEETS 43

DRAWN BY :	D. RITACCO	DATE :	03/2023
CHECKED BY :	S. NATARAJAN	DATE :	04/2023
DESIGN ENGINEER OF RECORD :	D. RITACCO	DATE :	04/2023

DOCUMENT NOT CONSIDERED  
 FINAL UNLESS ALL  
 SIGNATURES COMPLETED