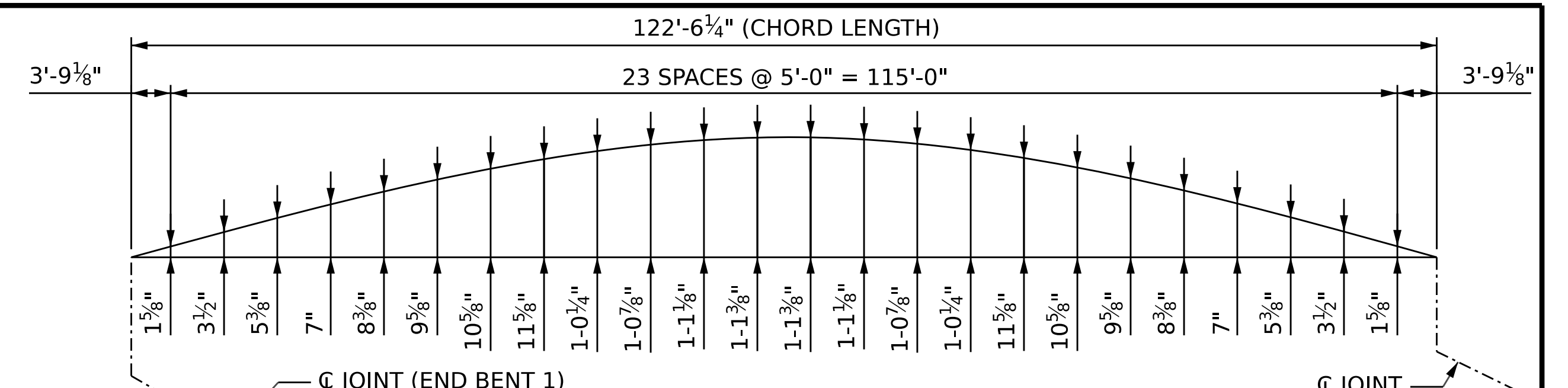
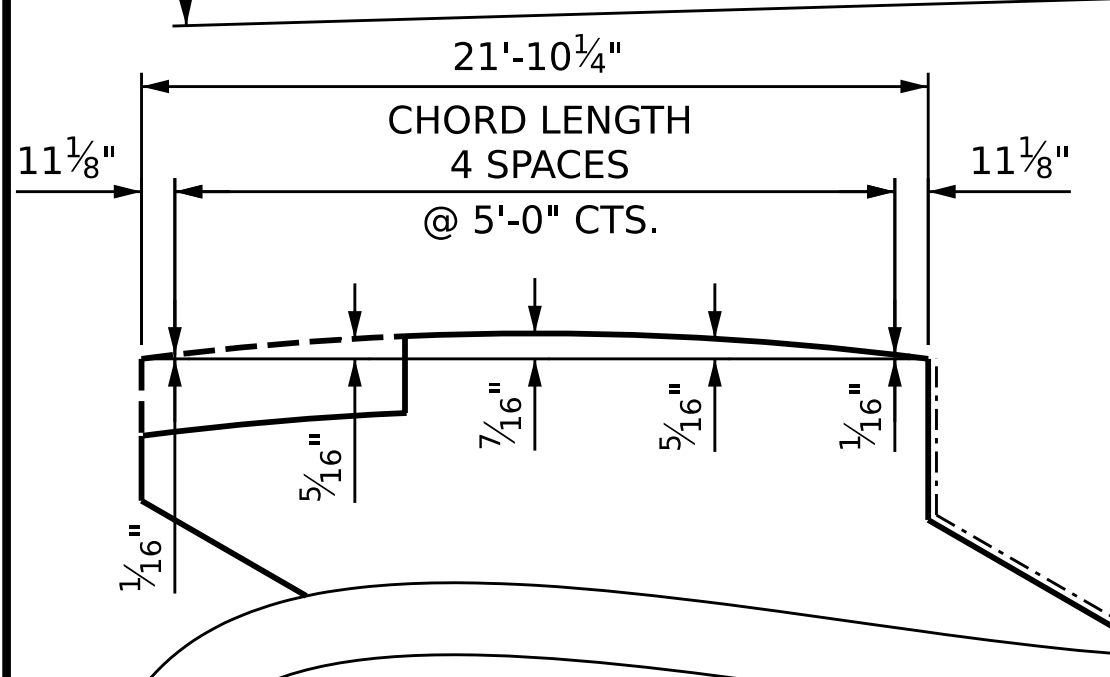
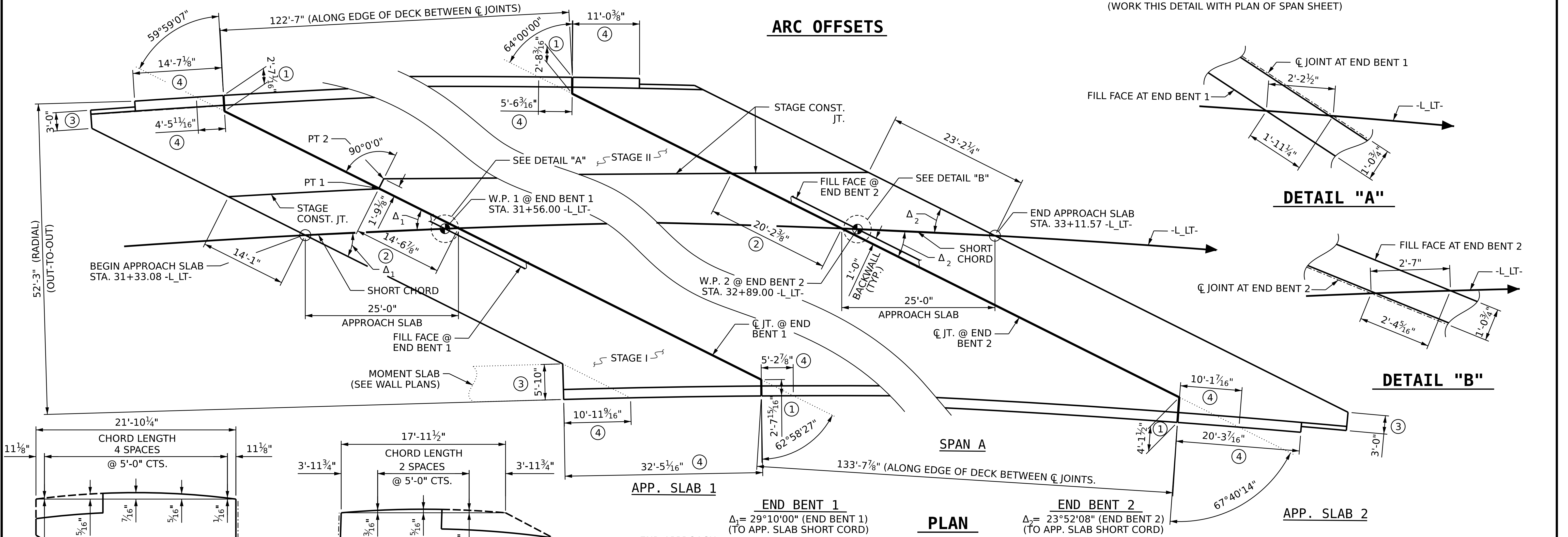


RIGHT EDGE OF DECK - STAGE I CONSTRUCTION
(WORK THIS DETAIL WITH PLAN OF SPAN SHEET)

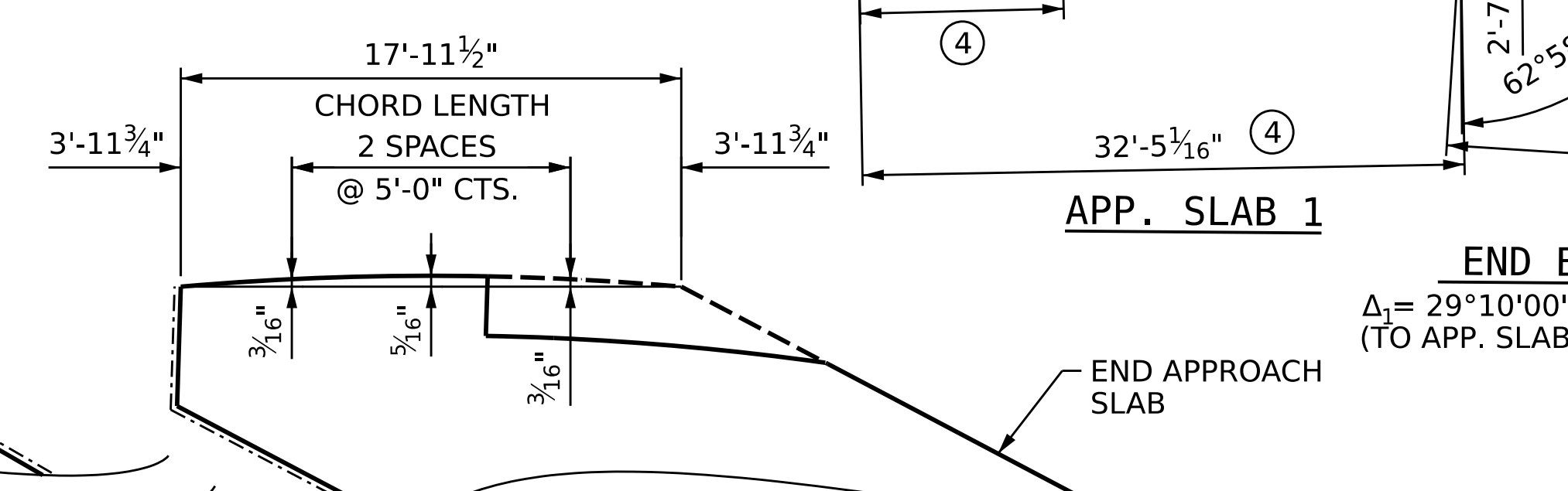


LEFT EDGE OF DECK - STAGE II CONSTRUCTION
(WORK THIS DETAIL WITH PLAN OF SPAN SHEET)

ARC OFFSETS



ARC OFFSETS AT APPROACH 1
(NOT DRAWN TO SCALE)

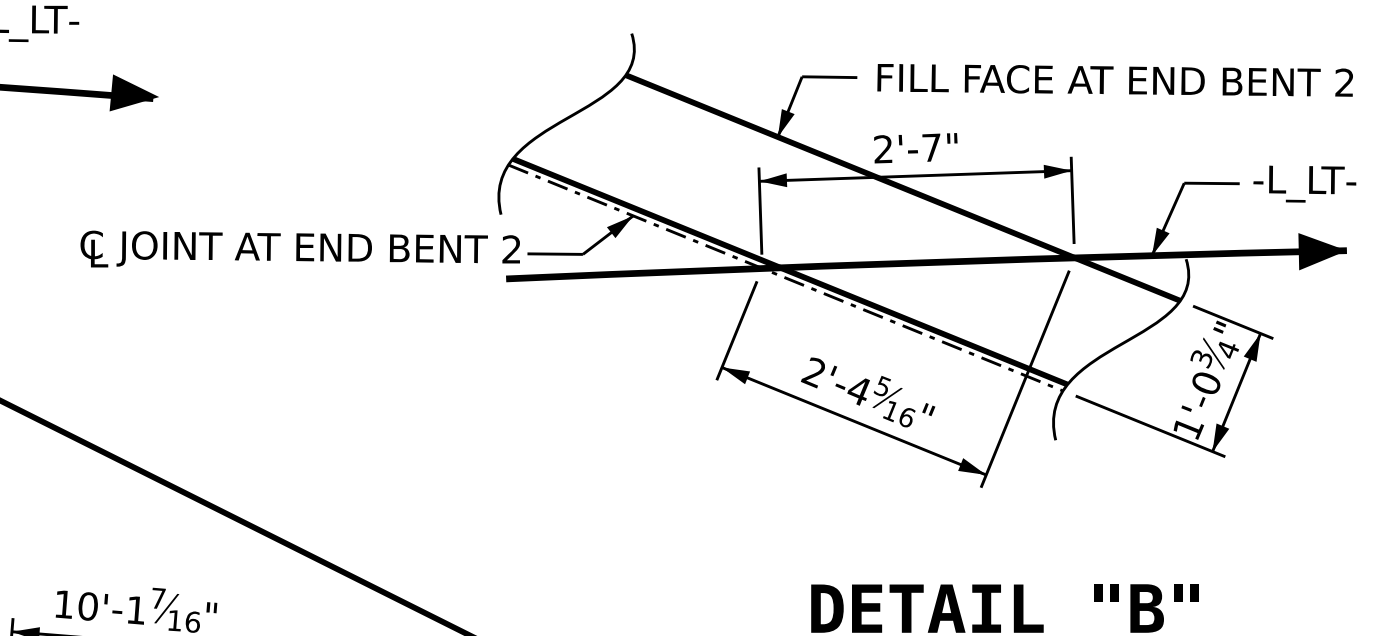
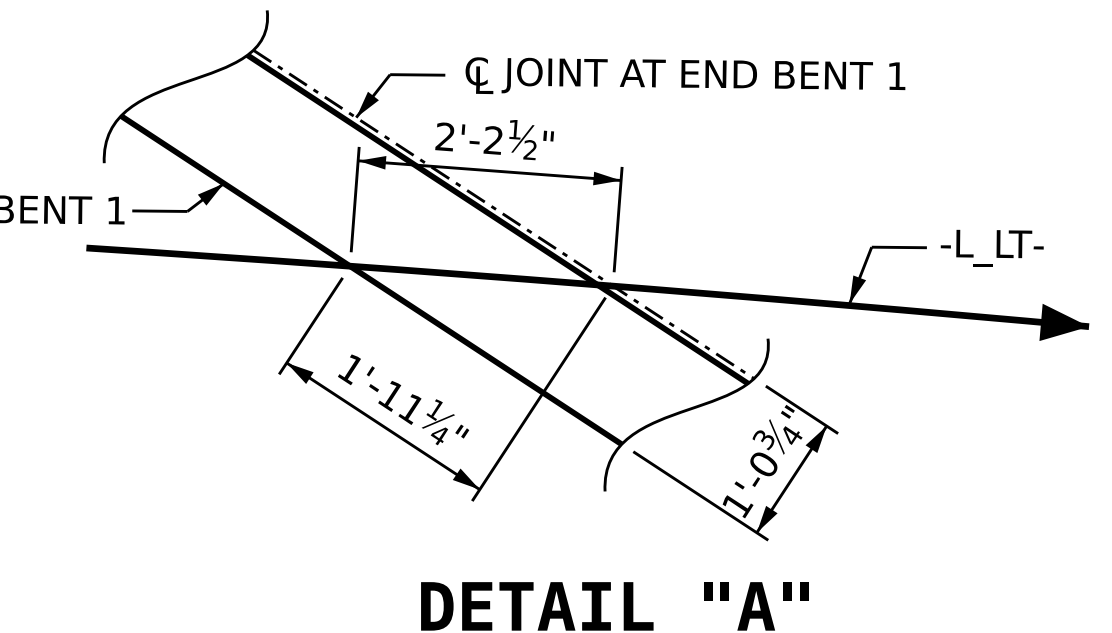


ARC OFFSETS AT APPROACH 2
(NOT DRAWN TO SCALE)

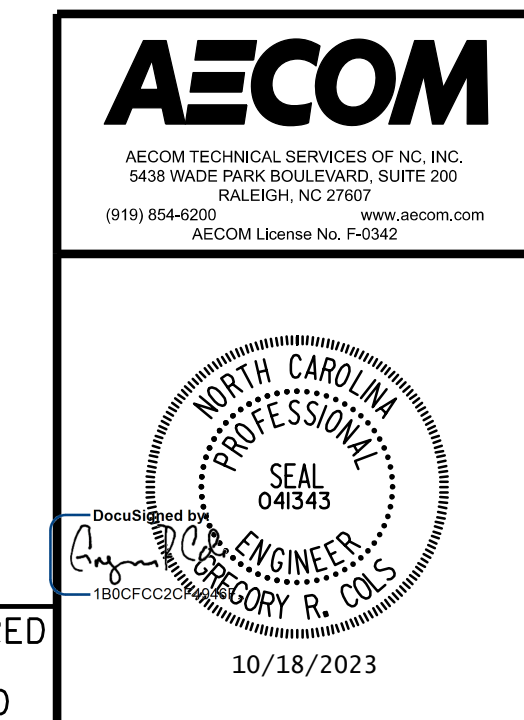
PLAN

POINT	STA.	OFF.	DESCRIPTION
PT 1	31+45.51	7.11' (RT)	END OF BREAKBACK AT CL OF JOINT
PT 2	31+46.34	8.59' (RT)	EDGE OF DECK AT START OF BREAKBACK

- ① MEASURED NORMAL TO EDGE OF DECK ALONG CL JOINT. ALL BREAKBACKS ARE 90 DEGREES TO EDGE OF DECK
 - ② MEASURED ALONG CL JOINT
 - ③ MEASURED NORMAL TO EDGE OF APPROACH SLAB. BREAKBACK IS AT 90 DEGREES
 - ④ MEASURED ALONG EDGE OF DECK/APPROACH SLAB TO/FROM CL JOINT WHERE APPLICABLE
- WORK THIS SHEET WITH THE PLAN OF SPANS, TYPICAL SECTION AND APPROACH SLAB SHEETS
- BEGIN AND END APPROACH SLABS AND FILL FACES ARE ALL PARALLEL



PROJECT NO. **B-3186 / B-5898**
HAYWOOD COUNTY
 STATION: **32+21.34 -L- LT-**



REVISIONS						SHEET NO.
NO.	BY:	DATE:	NO.	BY:	DATE:	S1-12
1			3			TOTAL SHEETS
2			4			43

DRAWN BY: M. L. CATER DATE: 07/2023
 CHECKED BY: S. NATARAJAN DATE: 03/2023
 DESIGN ENGINEER OF RECORD: G. COLS DATE: 03/2023

DOCUMENT NOT CONSIDERED FINAL UNLESS ALL SIGNATURES COMPLETED