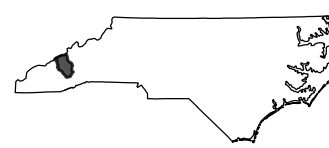


28-9

NORTH CAROLINA
DEPARTMENT OF TRANSPORTATION
HAYWOOD COUNTY



ROADWAY DESIGN UNIT
ROADWAY DESIGN ENGINEER

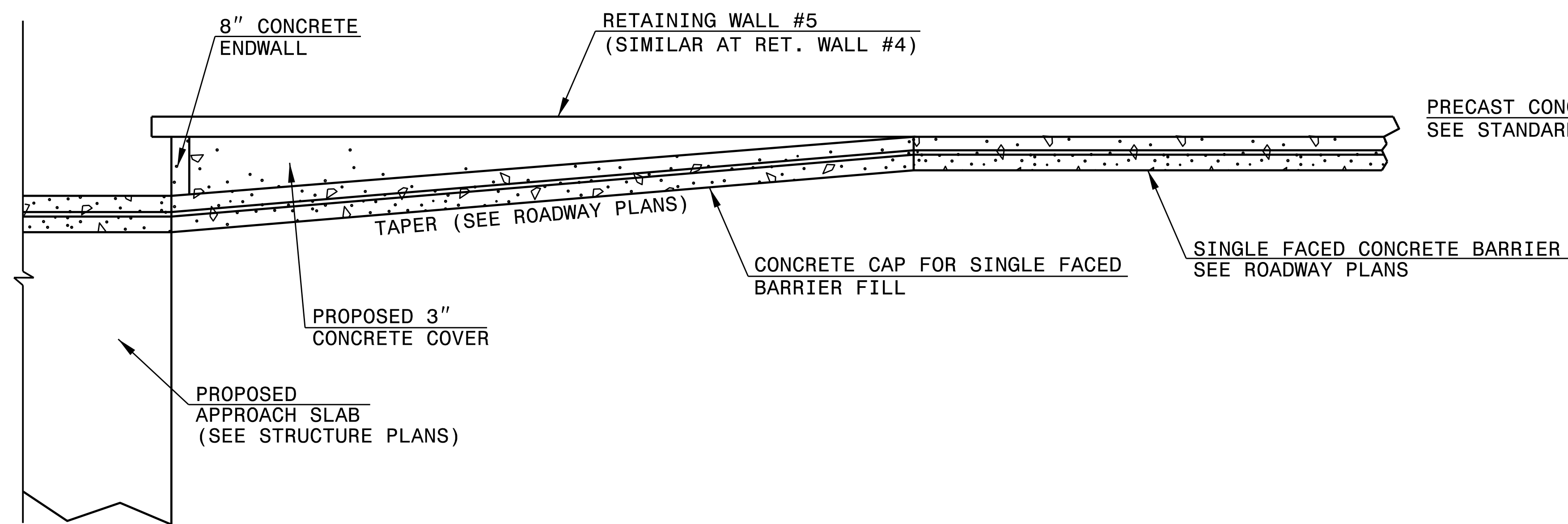


PREPARED BY
AECOM
NC FIRM LICENSE No: F-0342
5438 Wade Park Boulevard, Suite 200
Raleigh, NC 27601
(919) 854-6200 (TEL) 854-6259 (FAX)

DOCUMENT NOT CONSIDERED FINAL
UNLESS ALL SIGNATURES COMPLETED

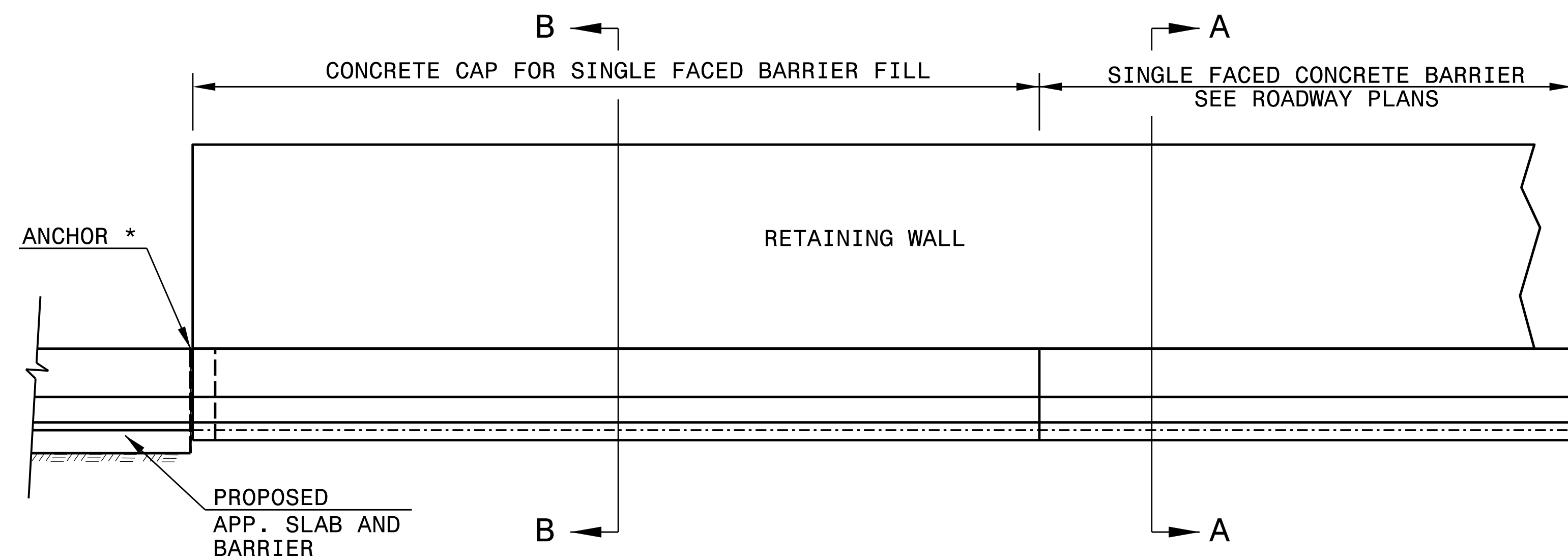
GENERAL NOTES:

- CONSTRUCT EXPANSION AND CONTRACTION JOINTS AS SHOWN IN STANDARD DRAWING 854.01.
- SEAL EXPANSION JOINTS WITH JOINT FILLER. (SEE SECTION 1028 OF THE SPECIFICATIONS).
- SUBMIT ALTERNATIVE METHODS FOR STEEL FABRICATION PLACEMENT FOR REVIEW AND APPROVAL.
- USE AN APPROVED BONDING SYSTEM IN ACCORDANCE WITH SECTION 1081 OF THE STANDARD SPECIFICATIONS.
- SEE STD. 857.01 FOR SINGLE FACED BARRIER.



PLAN AT ENDS OF BRIDGE

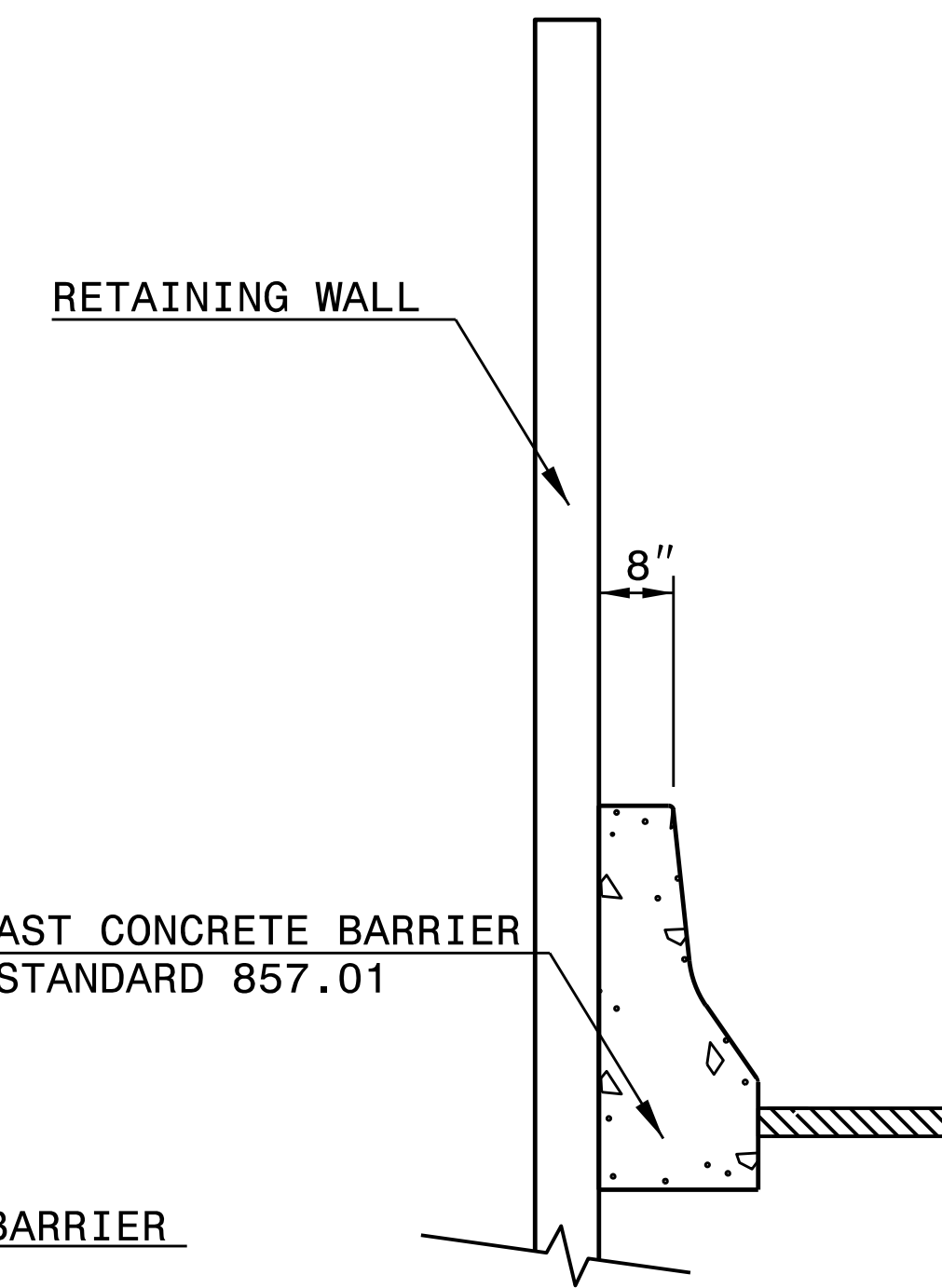
SHOWN AT RET. WALL #5, SIMILAR AT RET. WALL #4.
USE THIS DETAIL:
STA. 22+23 -L_RT- TO BEGIN APP SLAB. STR 2 (101 LF)
END APP SLAB. STR 02 TO STA 26+79 -L_RT- (100 LF)



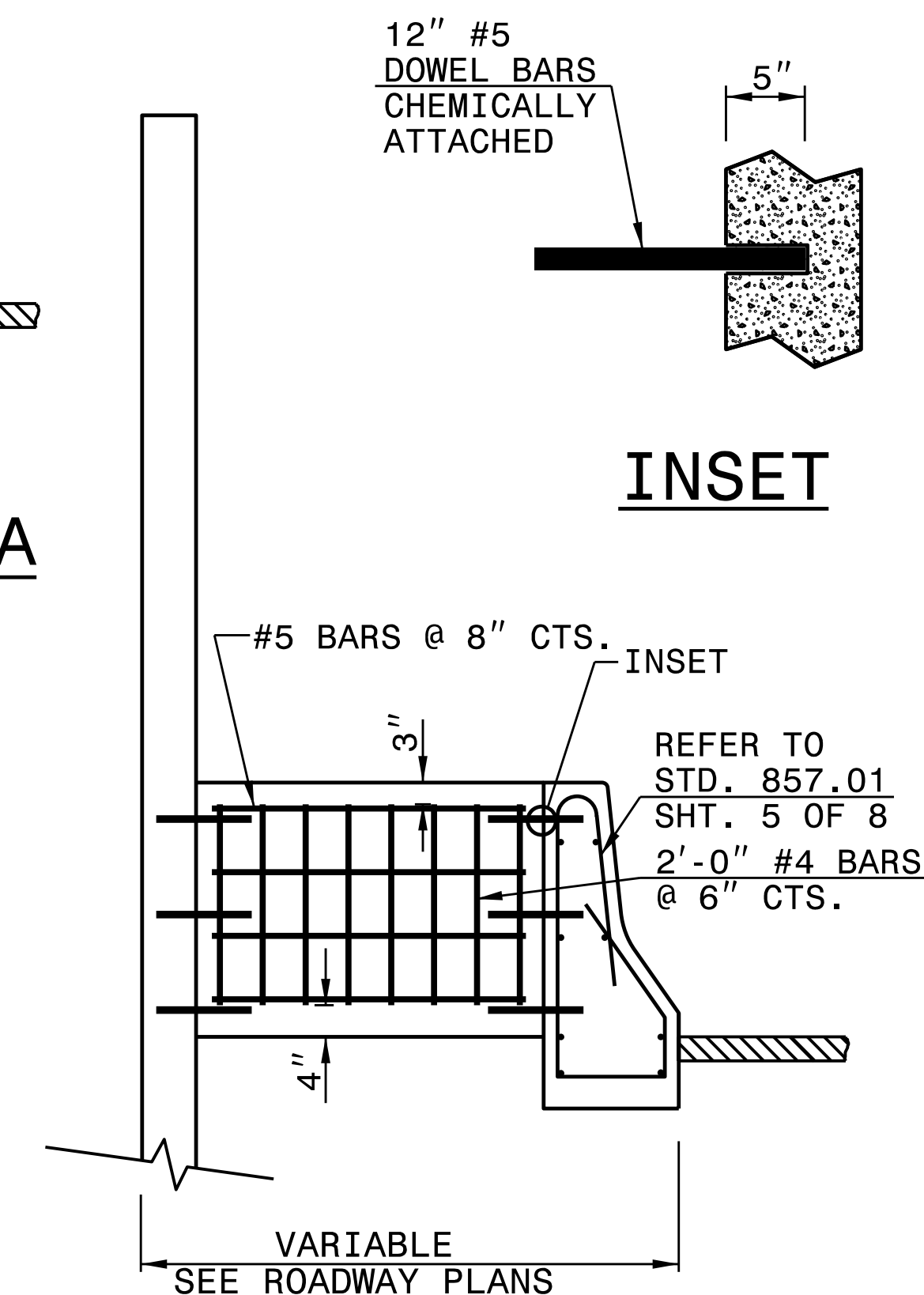
ELEVATION

SHOWN AT RET. WALL #5, SIMILAR AT RET. WALL #4.

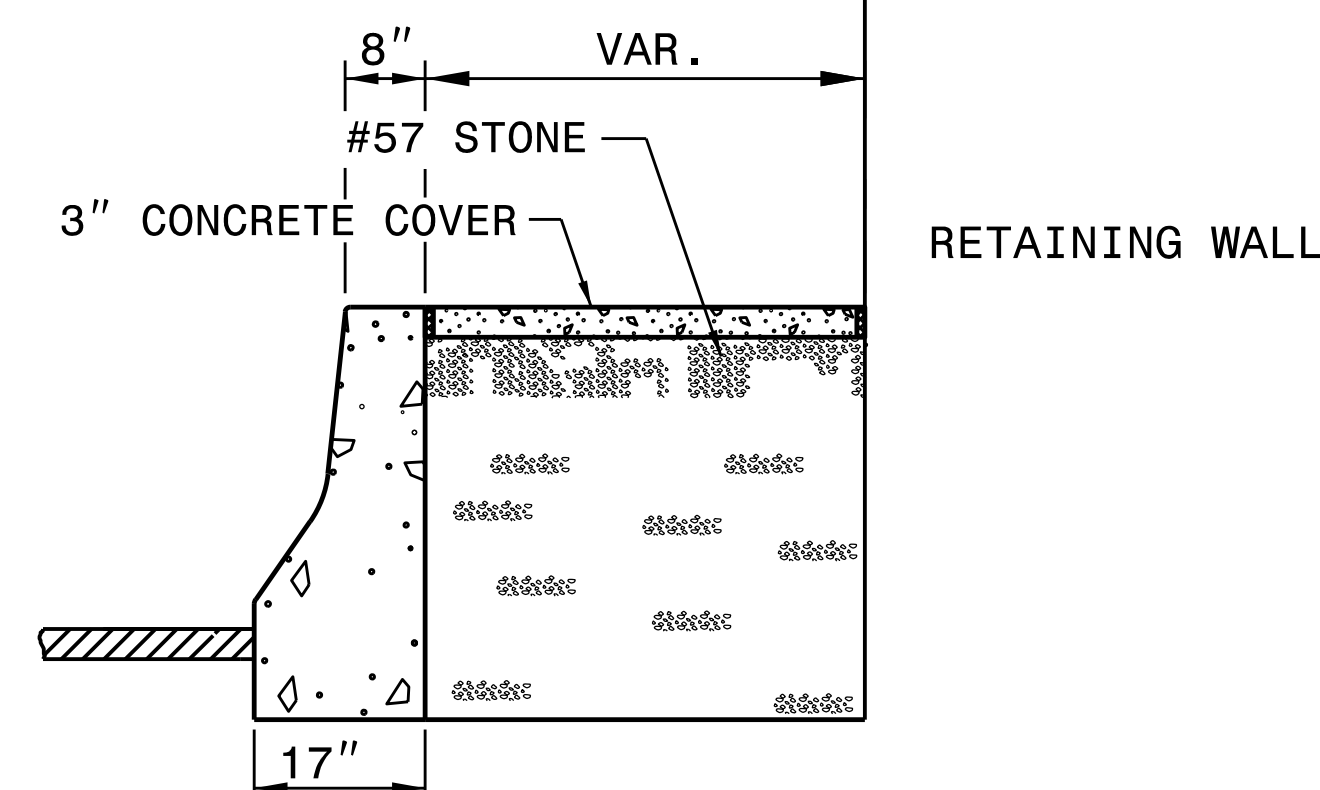
* ANCHOR SINGLE FACED BARRIER TO BRIDGE RAIL WITH PIN AND EYE CONNECTOR. SEE STD. 857.01 SHT. 5 OF 8.



SECTION A-A



8" CONCRETE ENDWALL



SECTION B-B

CONCRETE CAP FOR SINGLE FACED BARRIER FILL