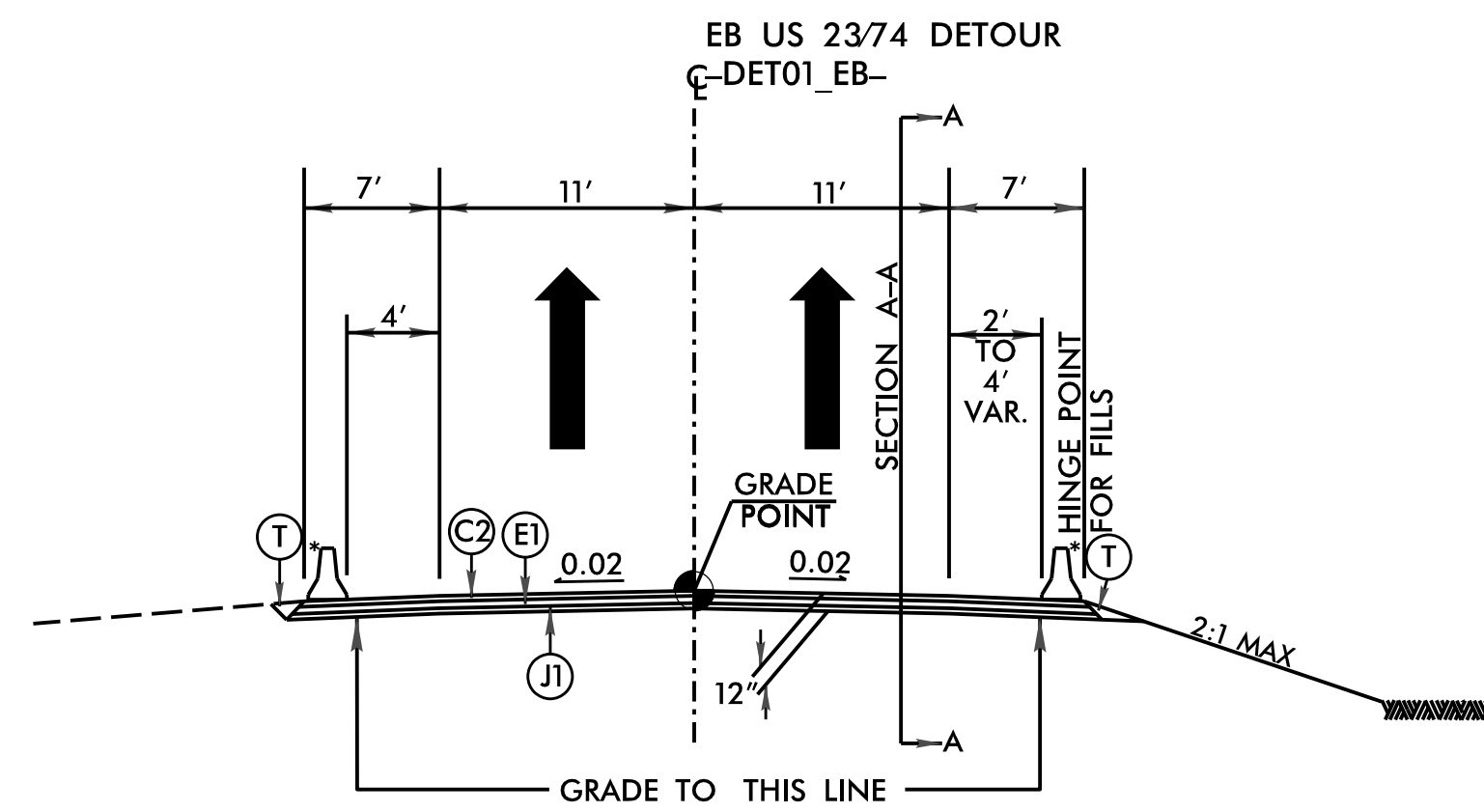
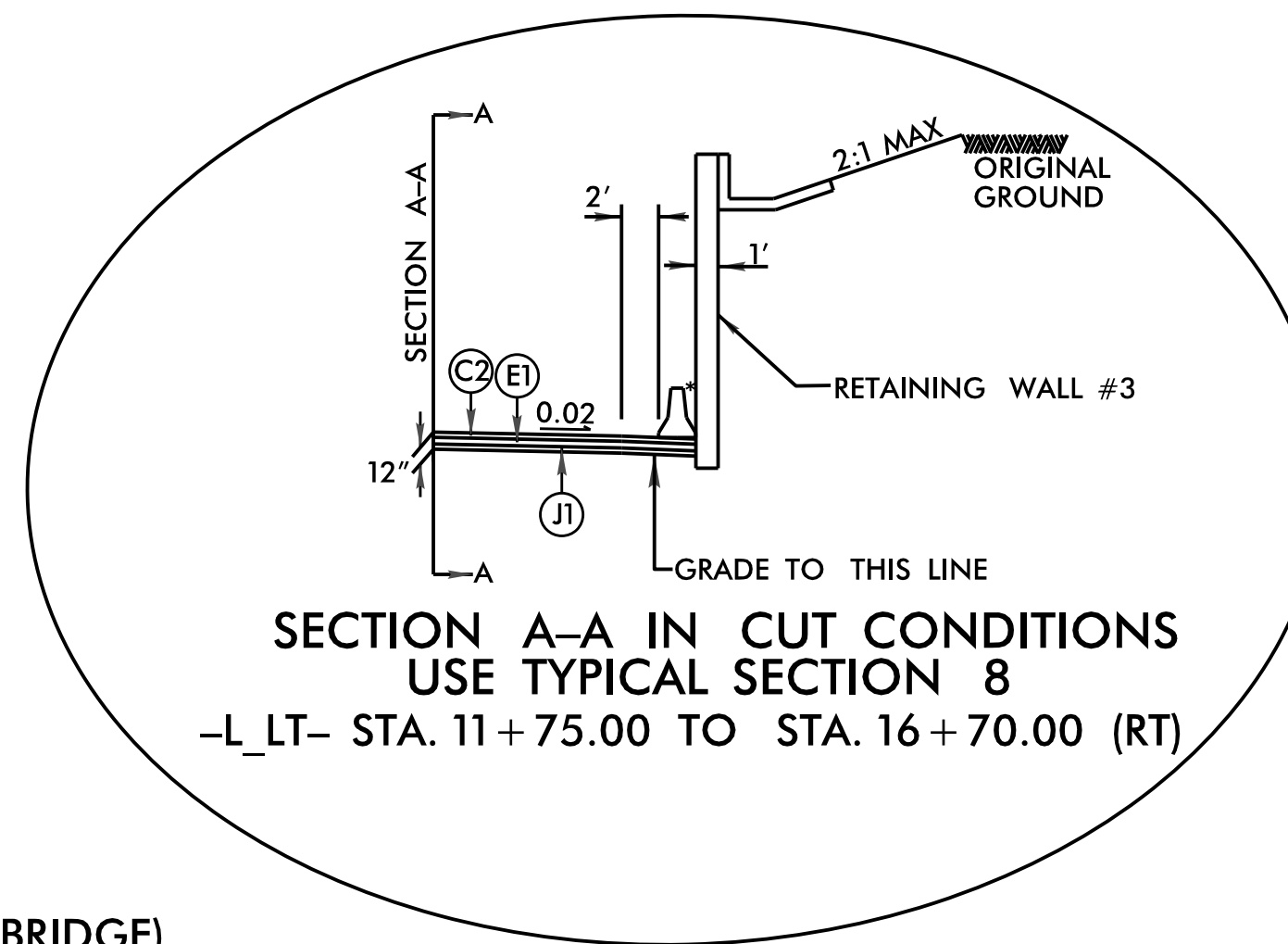


PAVEMENT SCHEDULE	
B1	0.75" OGFC TYPE FC-1 MODIFIED
C1	1.5" S9.5C
C2	3" S9.5C
C3	VAR. S9.5C
D1	4" I19.0C
D2	VAR. I19.0C
E1	3" B25.0C
E2	VAR. B25.0C
J1	6" ABC
K	12" CL IV SUB. STAB.
N1	GEOTEXTILE FOR SUB. STAB.
R1	SHOULDER BERM GUTTER
R2	EXPRESSWAY GUTTER
T	EARTH MATERIAL
U	EXISTING PAVEMENT
V1	1.5" MILLING
W	VAR. ASPHALT PAVEMENT
Y	RUMBLE STRIPS

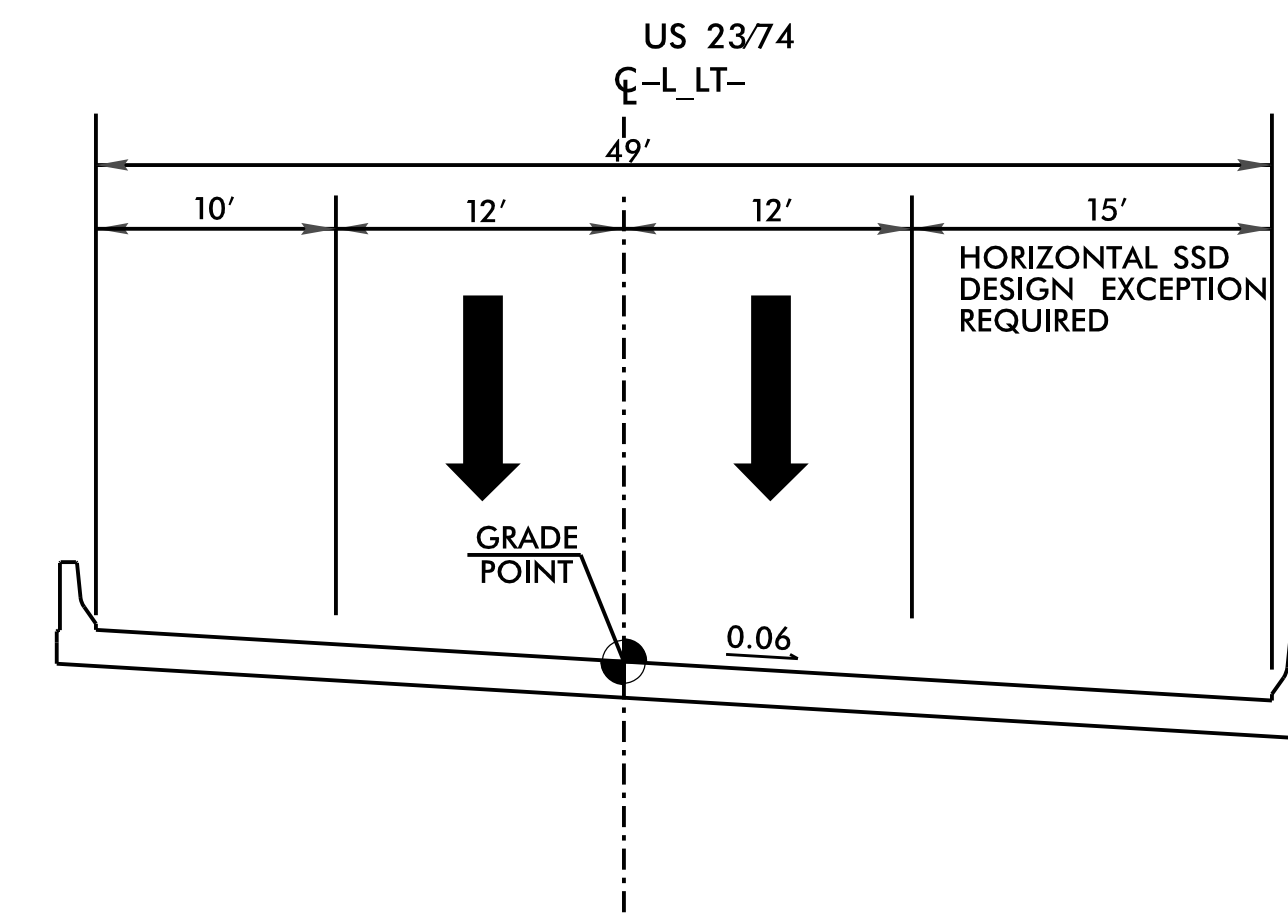


**TYPICAL SECTION NO. 8**

-DET01\_EB- STA. STA. 11+35.98 TO STA. 22+20.00 (BEGIN BRIDGE)  
 -DET01\_EB- STA. 25+50.00 (END BRIDGE) TO STA. 33+98.56  
 \*PORTABLE CONCRETE BARRIER (ANCHORED)

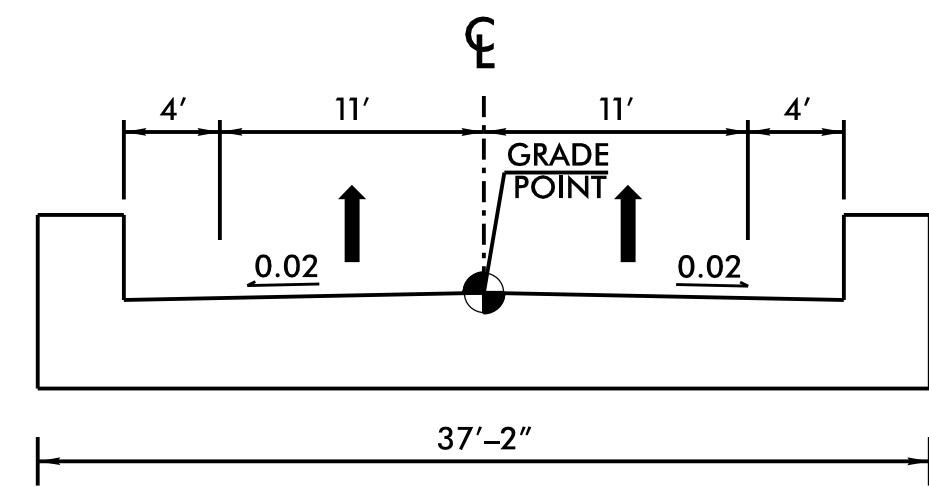


**SECTION A-A IN CUT CONDITIONS  
 USE TYPICAL SECTION 8  
 -L\_LT- STA. 11+75.00 TO STA. 16+70.00 (RT)**



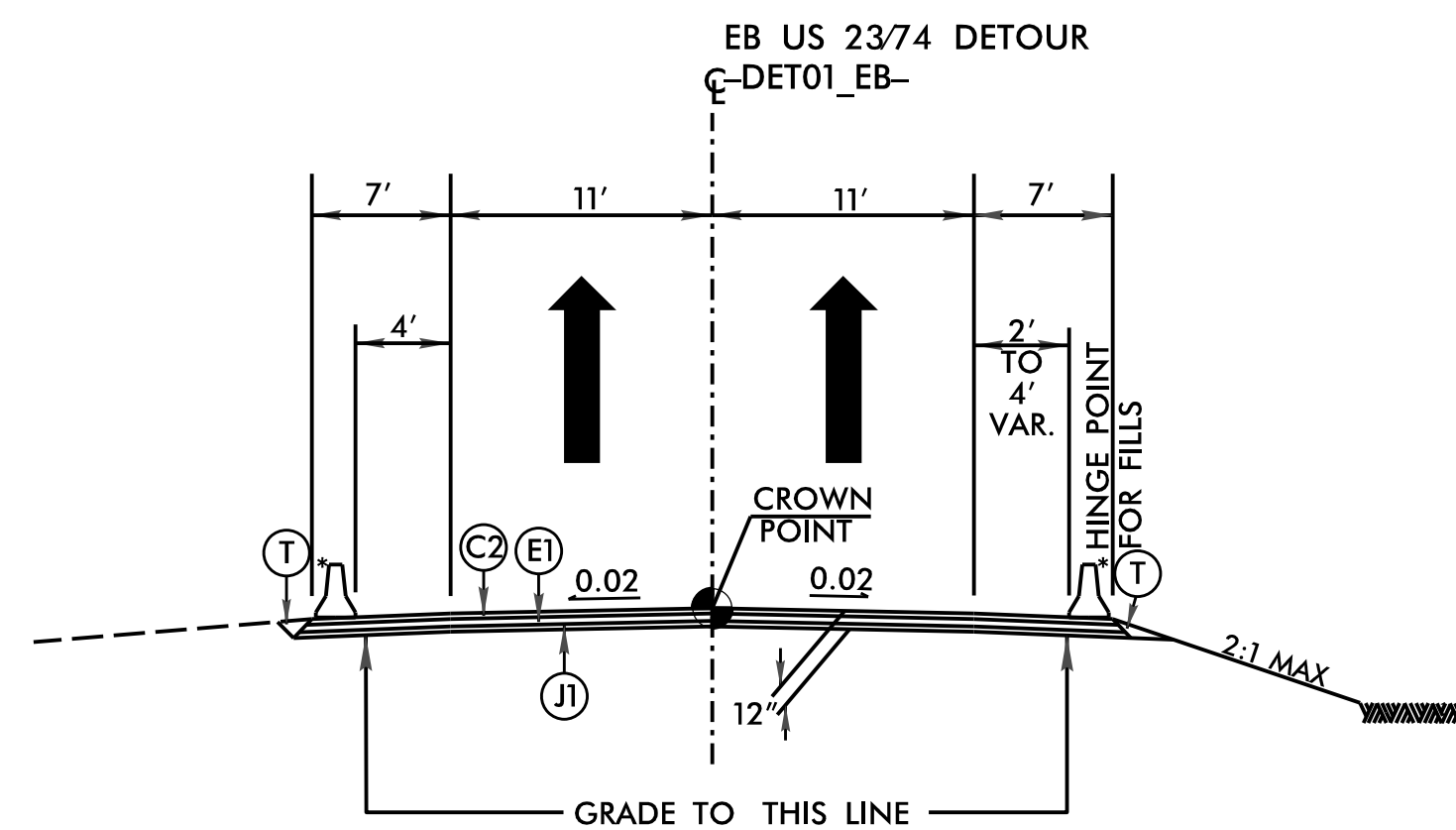
**TYPICAL SECTION NO. 11**

-L\_LT- STA. 31+56.00 TO STA. 32+89.00



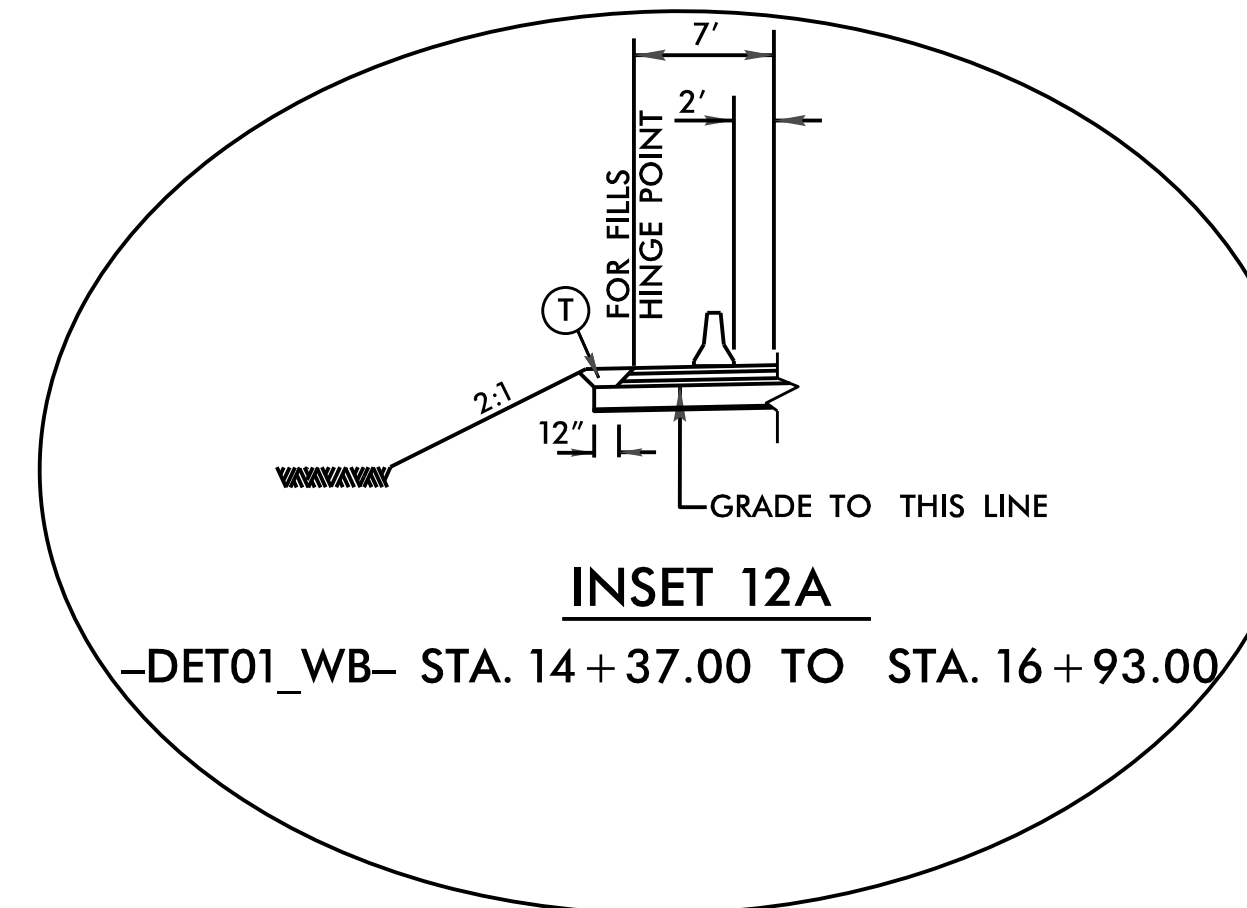
**TYPICAL SECTION NO. 9**

-DET01\_EB- STA. 22+20.00 TO STA. 25+50.00



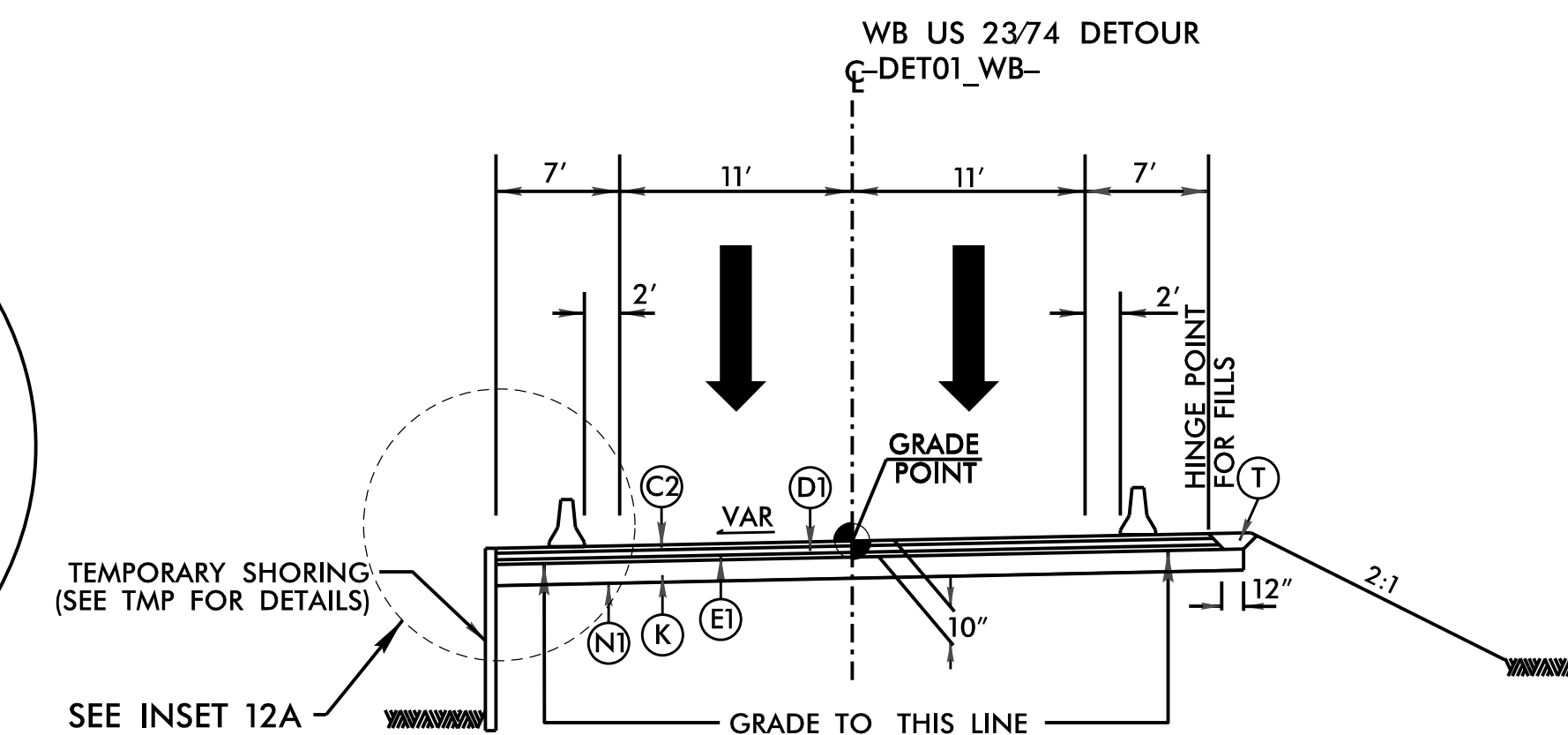
**TYPICAL SECTION NO. 8A**

-DET01\_EB- STA. 9+32.15 TO STA. 11+35.98  
 -DET01\_EB- STA. 33+98.56 TO STA. 36+36.91  
 \*PORTABLE CONCRETE BARRIER (ANCHORED)



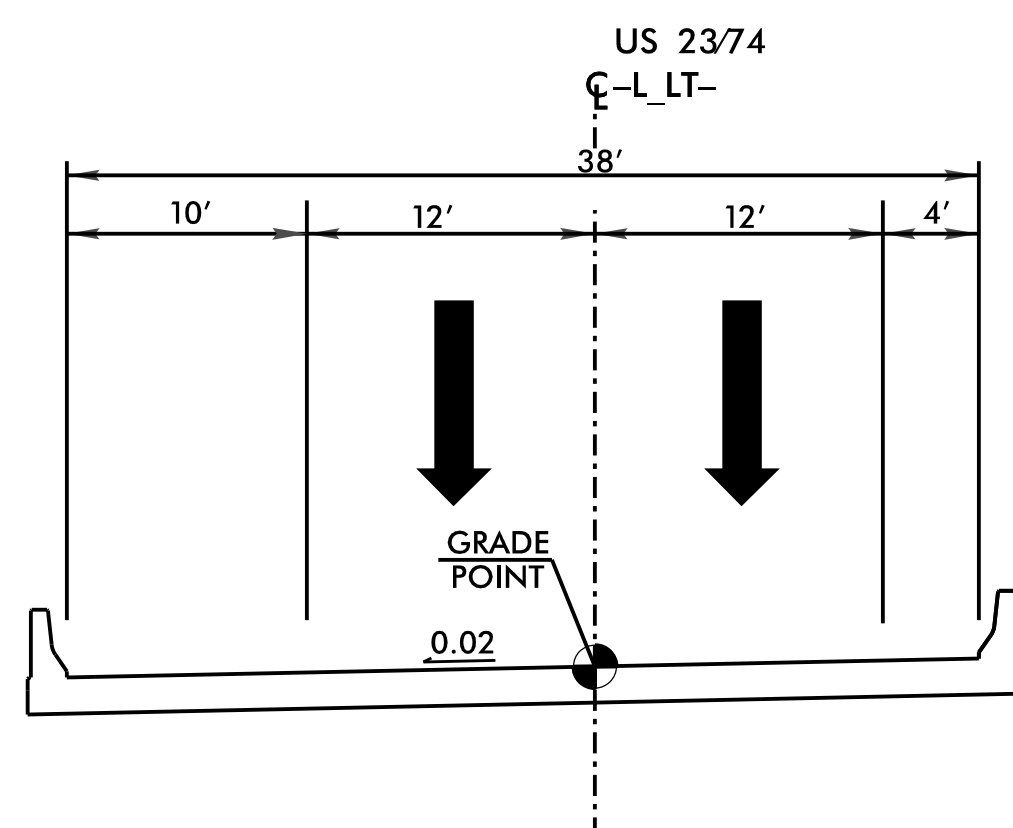
**INSET 12A**

-DET01\_WB- STA. 14+37.00 TO STA. 16+93.00



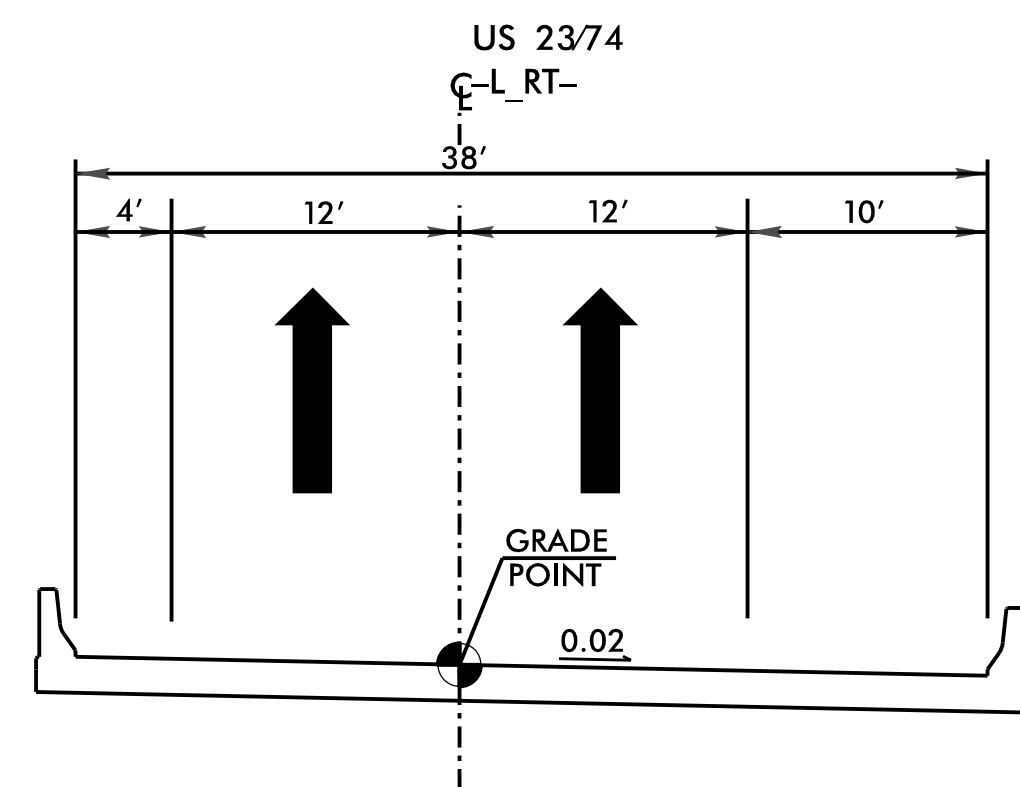
**TYPICAL SECTION NO. 12**

-DET01\_WB- STA. 16+93.00 TO STA. 22+23.55

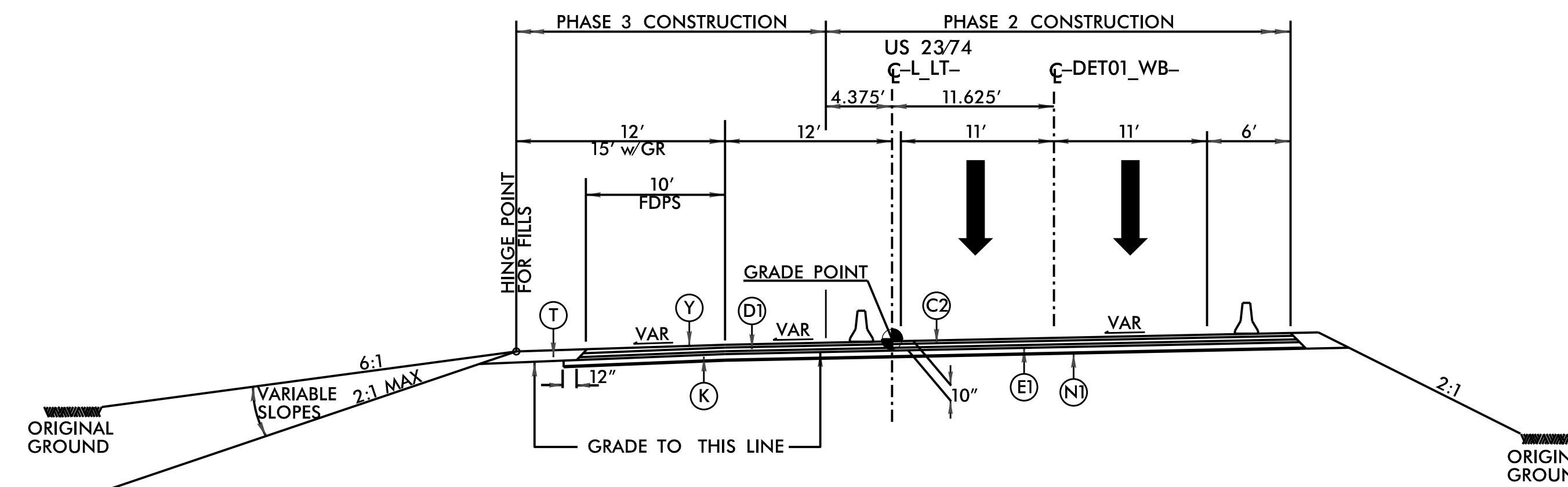


**TYPICAL SECTION NO. 10**

-L\_LT- STA. 23+50.75 TO STA. 25+89.25



-L\_RT- STA. 23+38.51 TO STA. 25+46.01



**TYPICAL SECTION NO. 13**

-DET01\_WB- STA. 22+23.55 TO STA. 23+51.75 (BEGIN BRIDGE)  
 -DET01\_WB- STA. 25+88.25 (END BRIDGE) TO STA. 40+50.17

NOTE: PROJECT L\_LT CROSS-SLOPE TO DETOUR

B-3186 / B-5898  
 2A-4  
 NORTH CAROLINA  
 DEPARTMENT OF TRANSPORTATION  
 HAYWOOD COUNTY  
 ROADWAY DESIGN UNIT  
 ROADWAY DESIGN  
 ENGINEER  
 NORTH CAROLINA  
 PROFESSIONAL  
 SEAL  
 049634  
 10/17/2023  
 PAVEMENT DESIGN  
 ENGINEER  
 NORTH CAROLINA  
 PROFESSIONAL  
 SEAL  
 024964  
 10/17/2023  
 PREPARED BY  
**AECOM**  
 NC FIRM LICENSE No: F-0342  
 5438 Wade Park Boulevard, Suite 200  
 Raleigh, NC 27603  
 (919) 884-6200 (TEL) 884-6259 (FAX)  
 DOCUMENT NOT CONSIDERED FINAL  
 UNLESS ALL SIGNATURES COMPLETED

REVISIONS