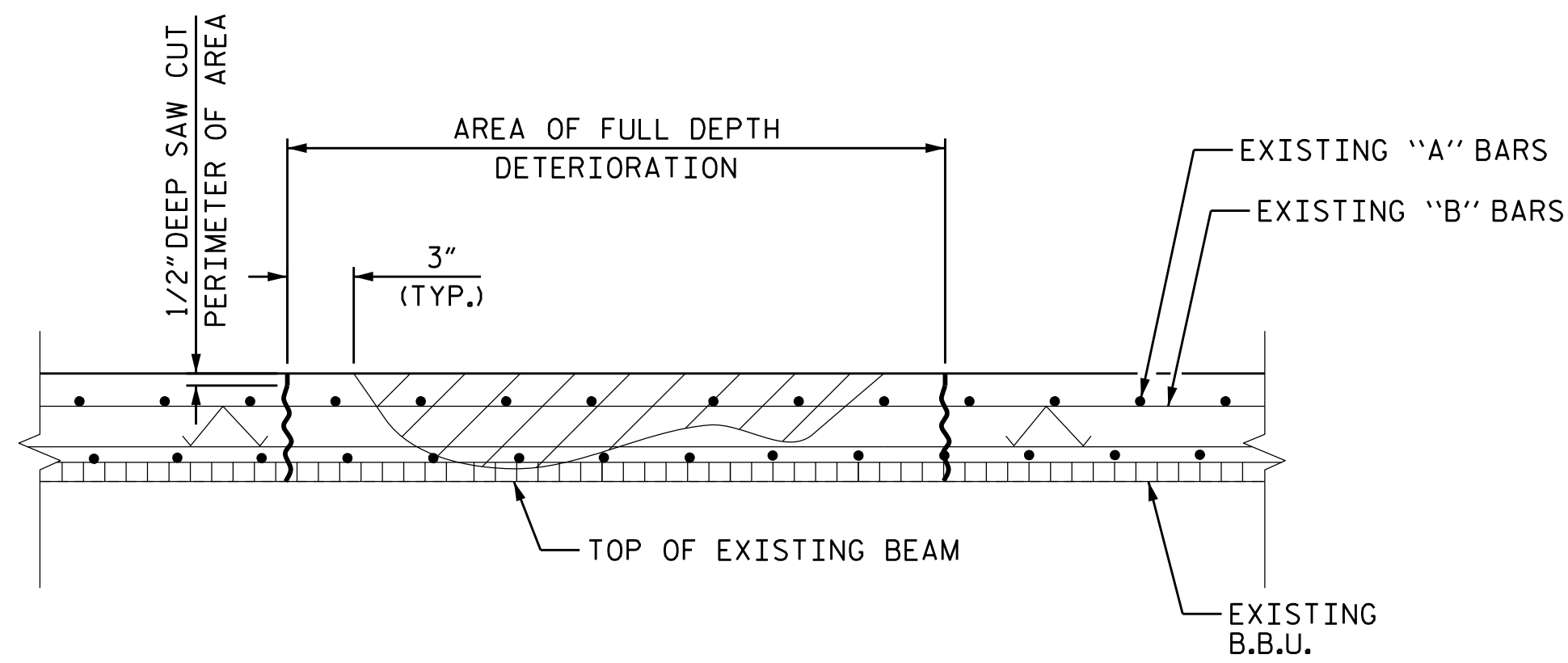
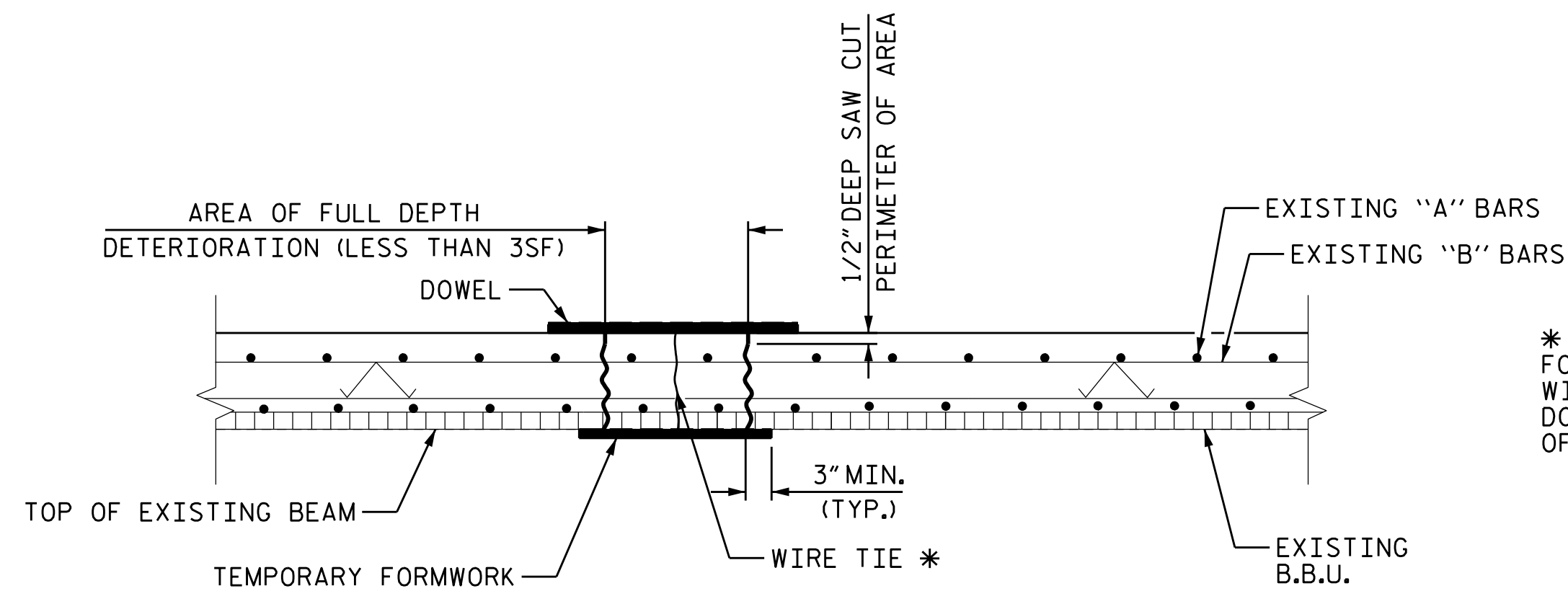


CLASS II (PARTIAL DEPTH) REPAIR



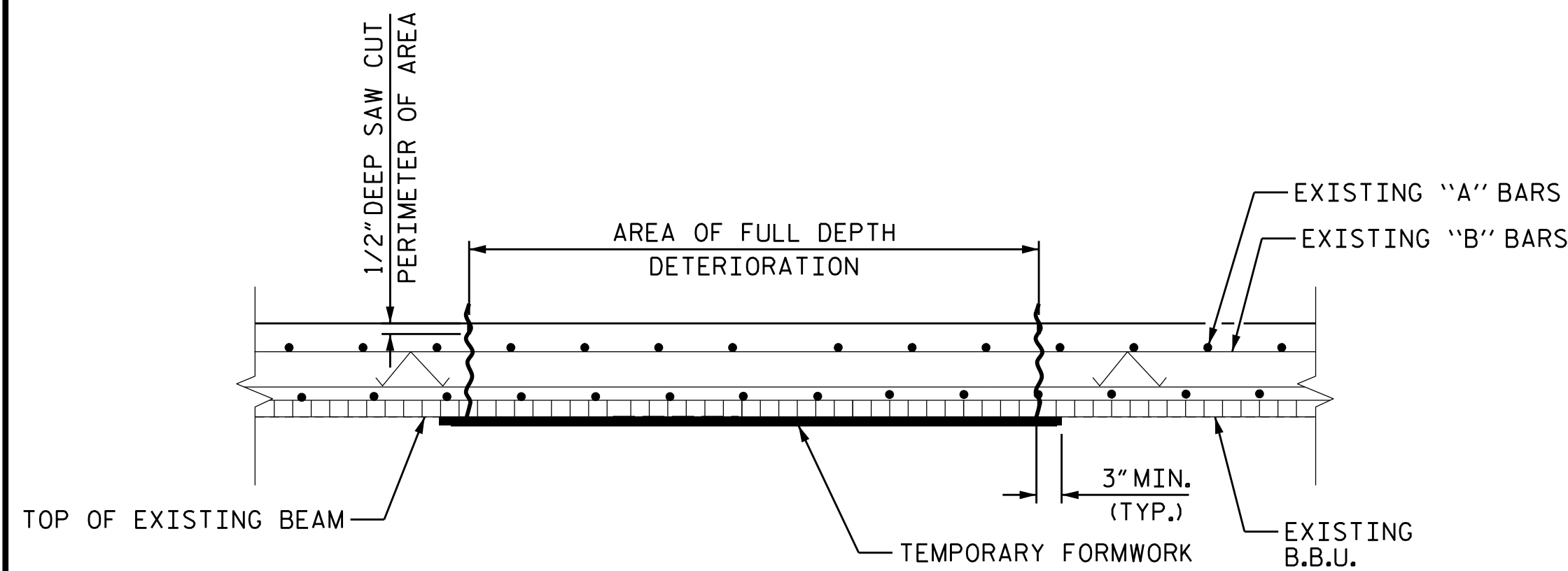
CLASS III (FULL DEPTH) REPAIR



FULL DEPTH REPAIR WITH TEMPORARY FORMWORK

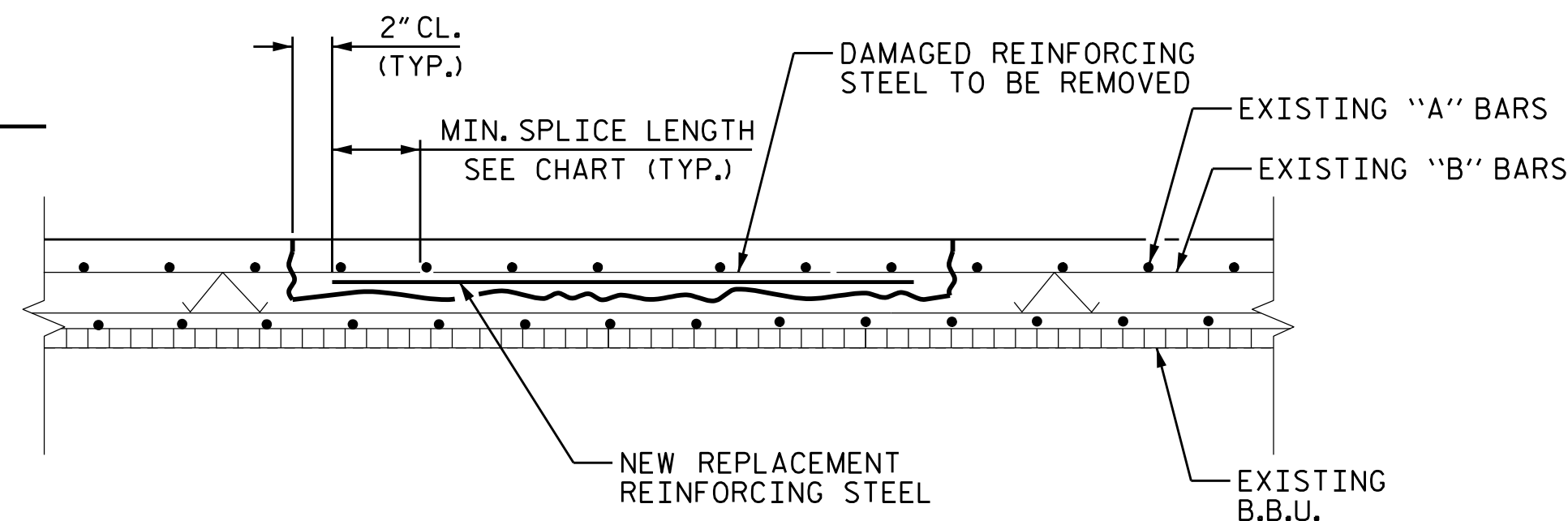
(FOR AREAS OF DETERIORATION EQUAL TO OR LESS THAN 3SF)

* WIRE TIE TO BE KNOTTED BELOW TEMPORARY FORMWORK AND ATTACHED TO DOWEL THAT IS WIDER THAN FORMED FULL DEPTH HOLE. ROTATE DOWEL TO TIGHTEN FORMWORK AGAINST BOTTOM OF DECK.



FULL DEPTH REPAIR WITH TEMPORARY FORMWORK

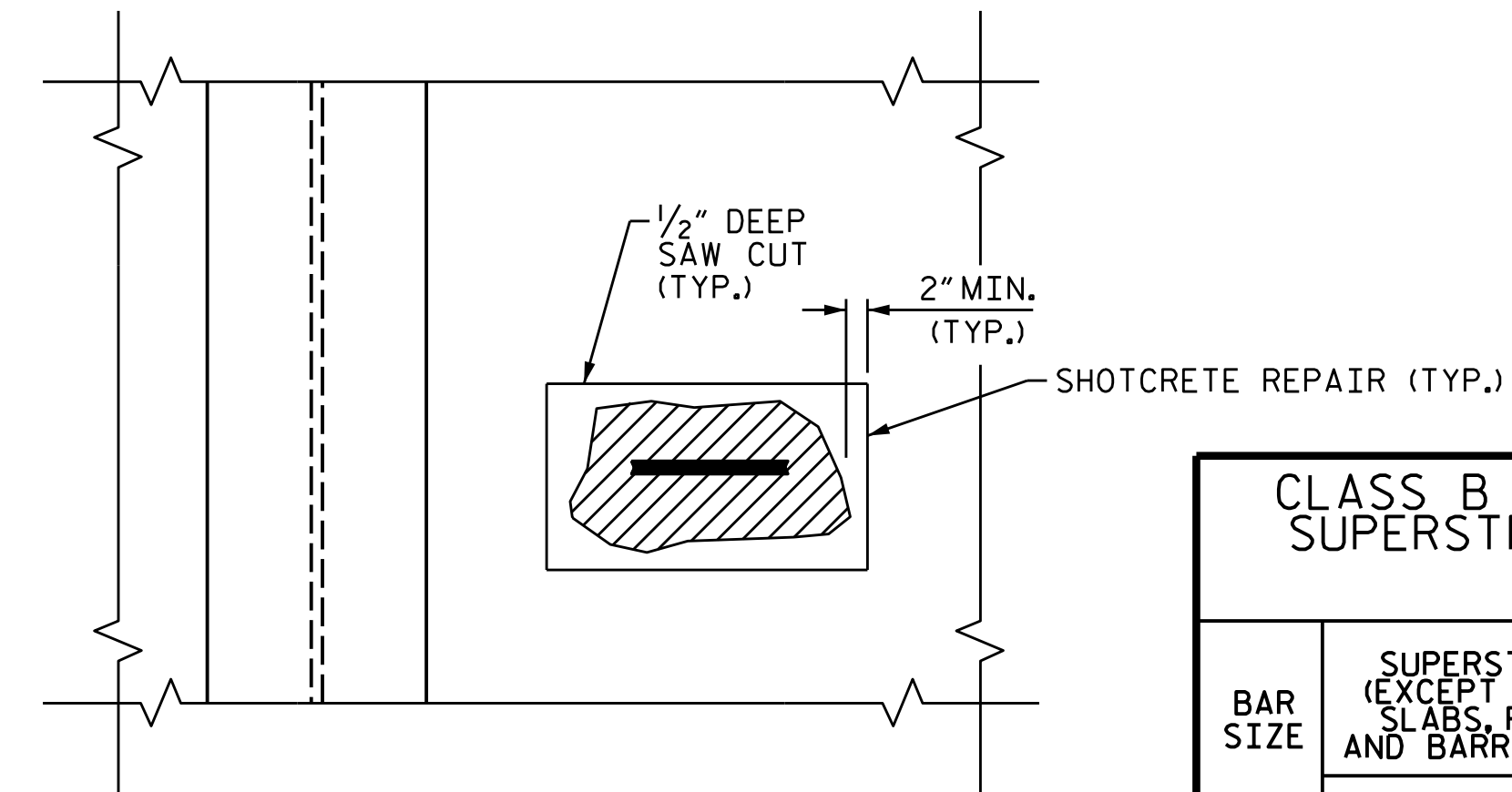
(FOR AREAS OF DETERIORATION GREATER THAN 3SF)



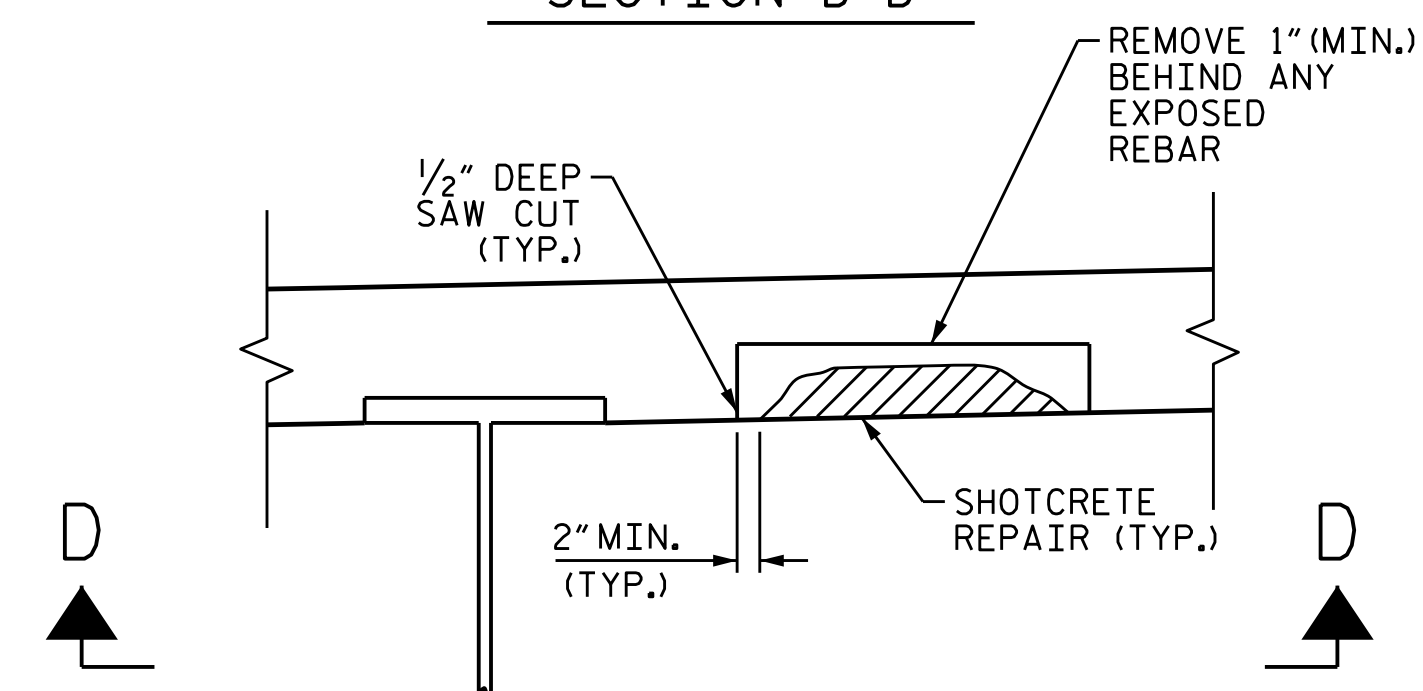
REINFORCING STEEL REPAIR

NOTES

- FOR AREAS TO BE REPAIRED, SEE "PLAN OF SPAN" SHEETS.
- ALL DECK REPAIRS SHALL BE COMPLETED PRIOR TO PLACEMENT OF OVERLAY.
- FOR CLASS II AND CLASS III SURFACE PREPARATION, SEE "OVERLAY SURFACE PREPARATIONS" SPECIAL PROVISION.
- FOR CONCRETE FOR DECK REPAIR, SEE SPECIAL PROVISIONS.
- FOR SHOTCRETE REPAIR, SEE SPECIAL PROVISIONS.
- THE CONTRACTOR SHALL SUBMIT WORKING DRAWINGS TO THE ENGINEER FOR APPROVAL PRIOR TO STARTING WORK FOR TEMPORARY FORMWORK. FOR SUBMITTALS OF WORKING DRAWINGS, SEE SPECIAL PROVISIONS.
- UPON REMOVAL OF TEMPORARY FORMWORK, ALL VOIDS AND HONEYCOMBS ON THE UNDERSIDE OF DECK SURFACE SHALL BE FILLED WITH THE SAME MATERIAL AS USED FOR THE PATCH, AND FINISHED TO CONFORM TO THE SURROUNDING CONCRETE SURFACE.
- NO FORMWORK SHALL BE LEFT IN PLACE.



SECTION D-D



TYPICAL SECTION

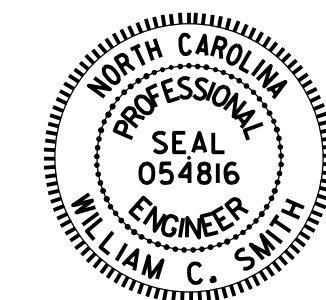
UNDERSIDE OF DECK REPAIR

CLASS B TENSION SPLICE LENGTH FOR SUPERSTRUCTURE REINFORCING STEEL

$1.3 \times L_d$

BAR SIZE	SUPERSTRUCTURE (EXCEPT APPROACH SLABS, PARAPETS AND BARRIER RAILS)		APPROACH SLABS		PARAPETS AND BARRIER RAILS
	EPOXY COATED	UNCOATED	EPOXY COATED	UNCOATED	EPOXY COATED
#4	1'-11"	1'-7"	1'-11"	1'-7"	2'-6"
#5	2'-5"	2'-0"	2'-5"	2'-0"	3'-1"
#6	2'-10"	2'-5"	3'-7"	2'-5"	3'-8"
#7	4'-2"	2'-9"	—	—	—
#8	4'-9"	3'-2"	—	—	—

PROJECT NO. **B-5981**
DUPLIN COUNTY
 BRIDGE NO. **30017**



STATE OF NORTH CAROLINA
 DEPARTMENT OF TRANSPORTATION
 RALEIGH
 STANDARD

DECK REPAIR DETAILS

ASSEMBLED BY : S. T. SANDOR DATE : 06/2022
 CHECKED BY : W. C. SMITH DATE : 5/31/23
 DRAWN BY : NAP 9/18
 CHECKED BY :

DOCUMENT NOT CONSIDERED
 FINAL UNLESS ALL
 SIGNATURES COMPLETED

REVISIONS						SHEET NO.
NO.	BY:	DATE:	NO.	BY:	DATE:	
1			3			S2-24
2			4			TOTAL SHEETS 31