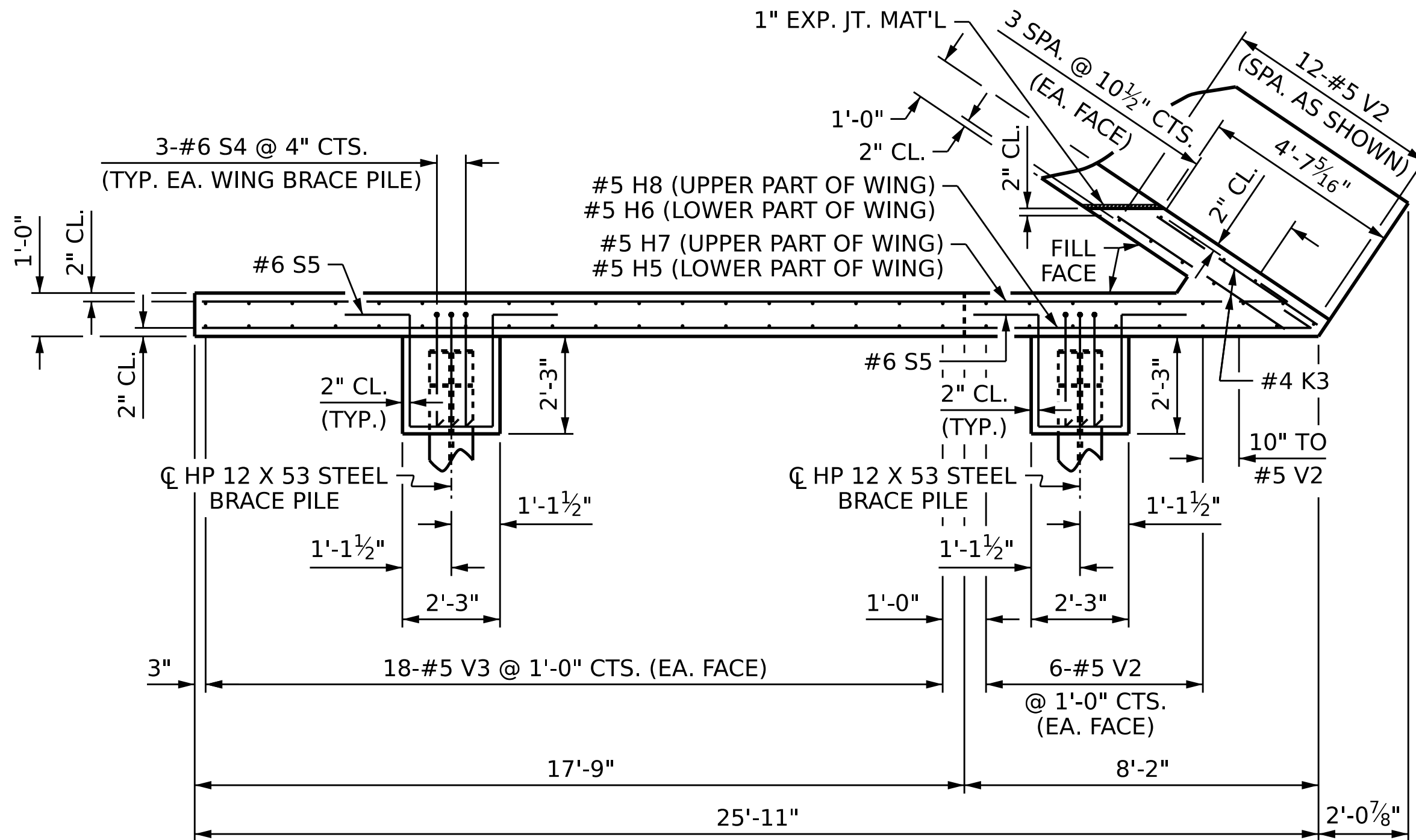
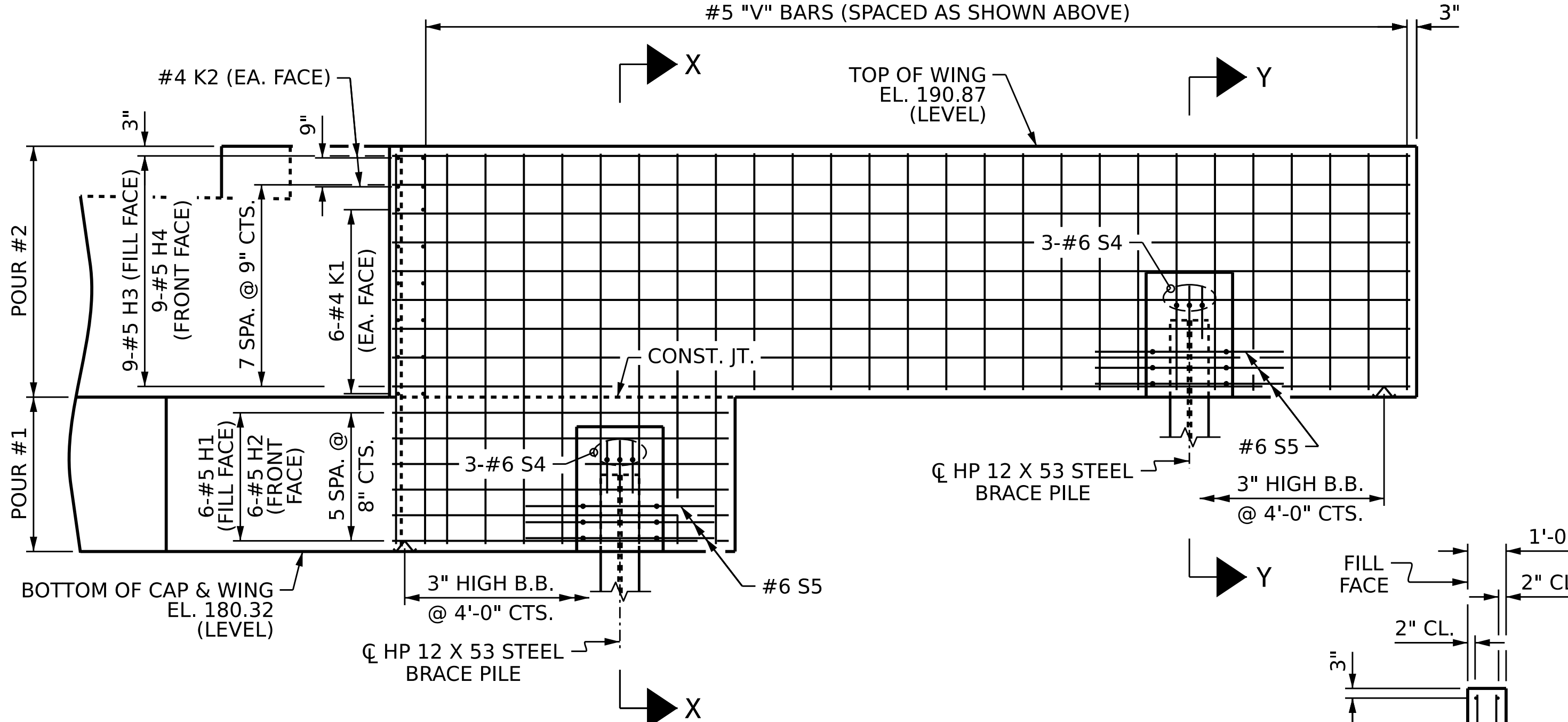


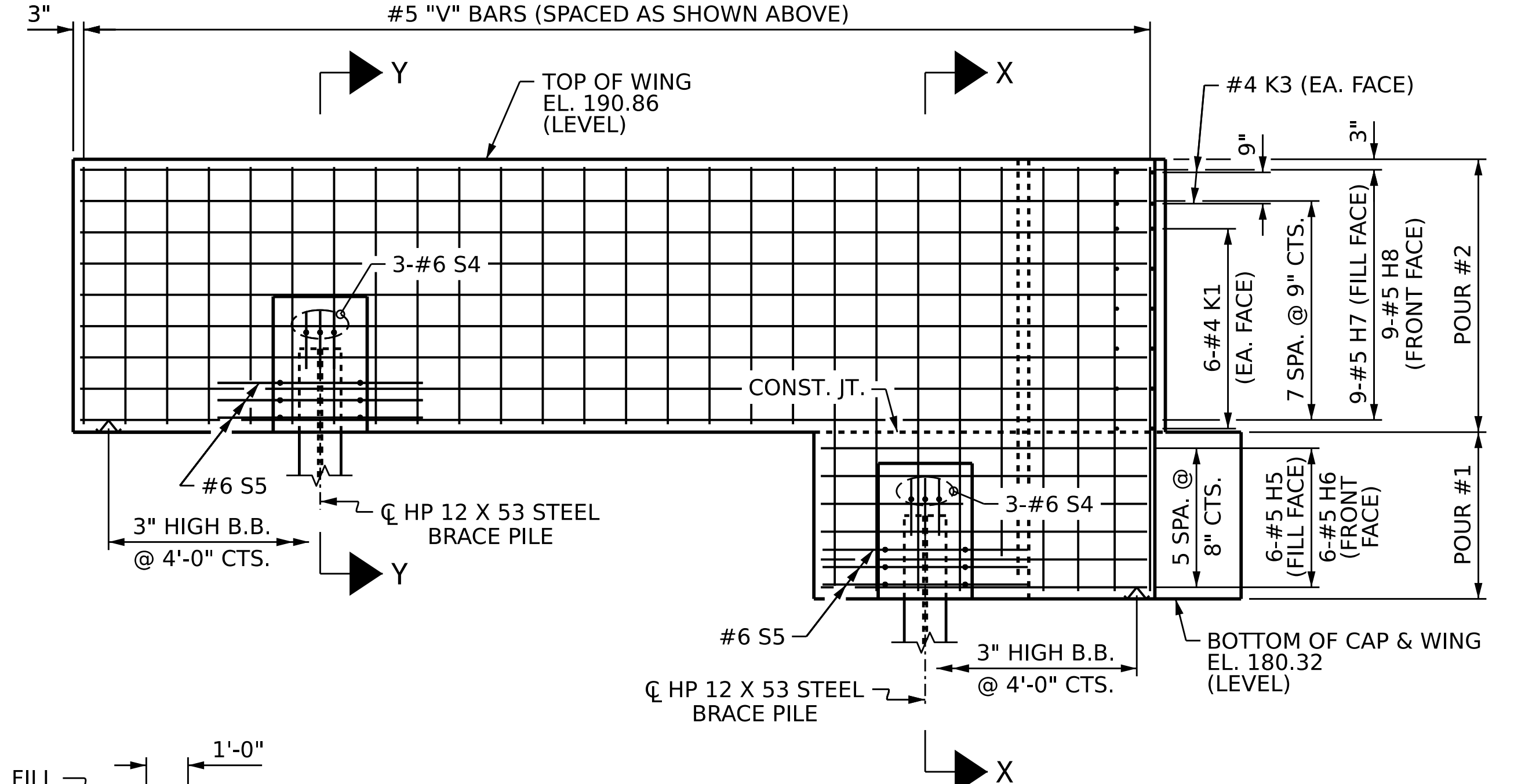
PLAN OF WING W1



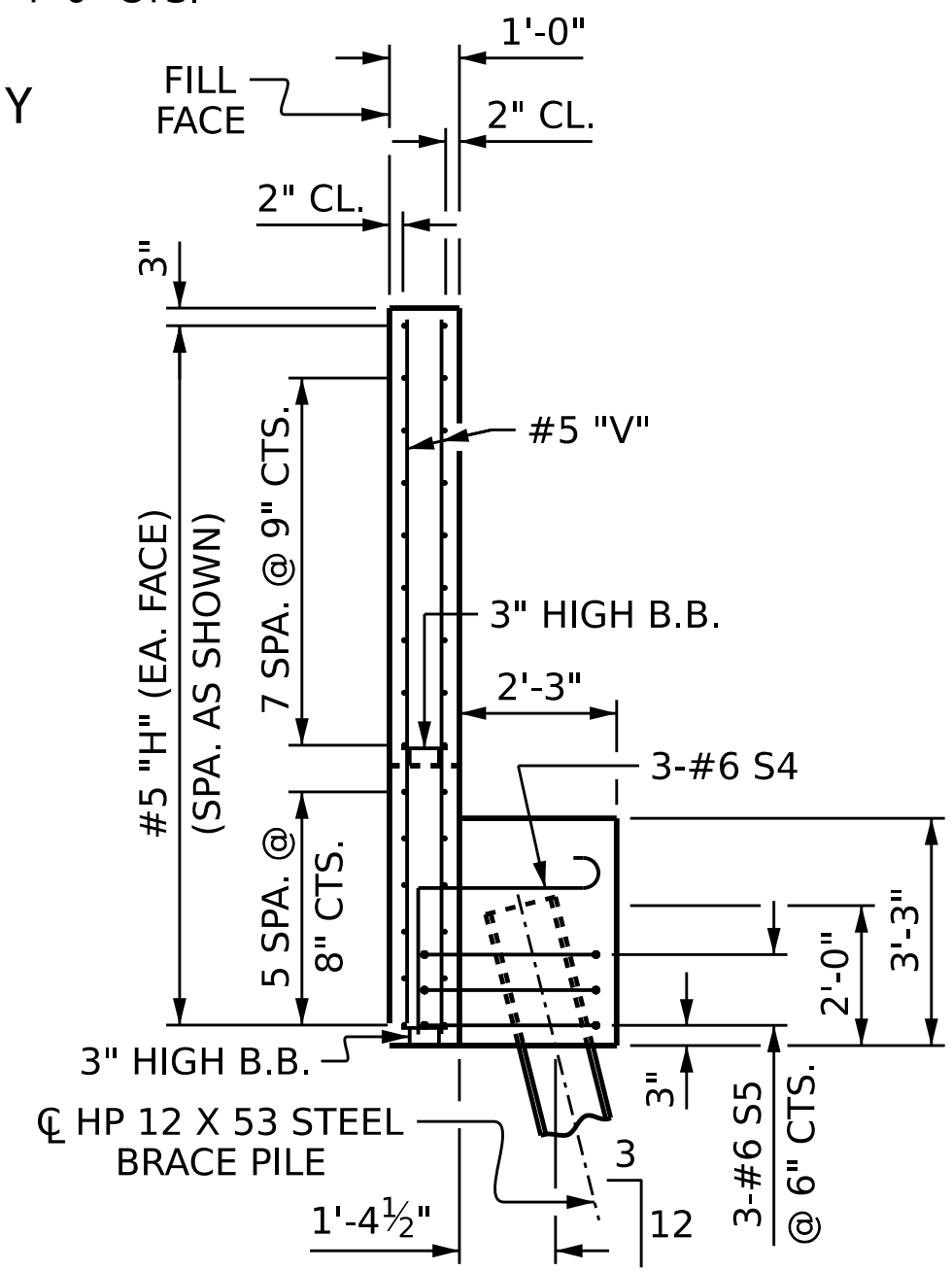
PLAN OF WING W2



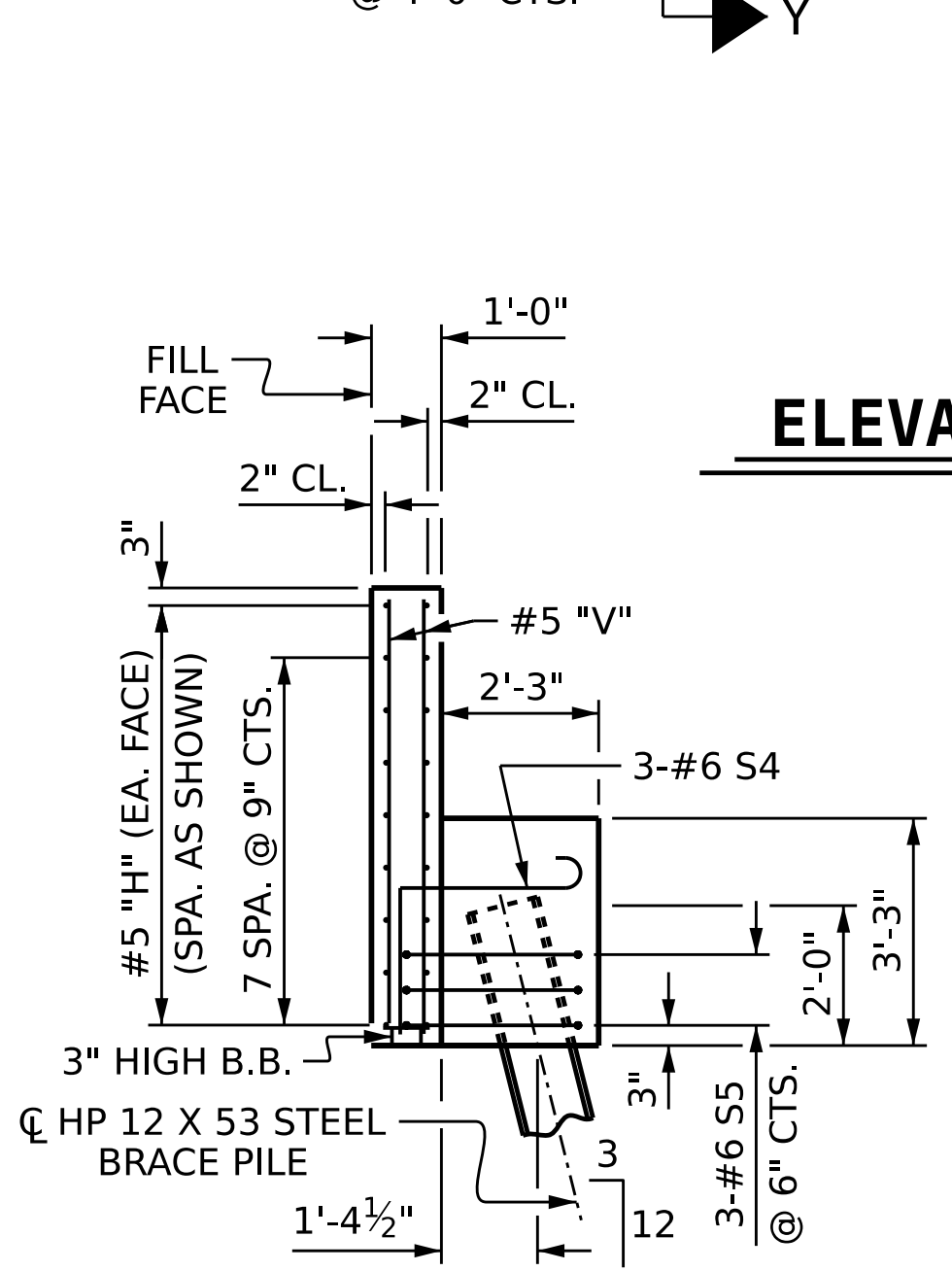
ELEVATION OF WING W1



ELEVATION OF WING W2

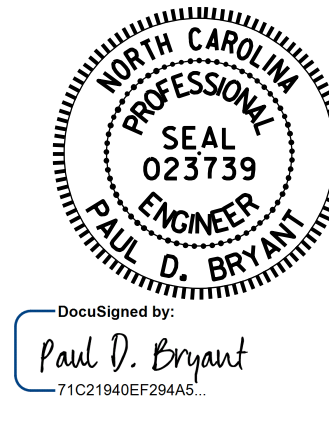


SECTION X-X



SECTION Y-Y

PROJECT NO. **B-5981**
DUPLIN COUNTY
 STATION: **23+56.64 -L-**
 SHEET 2 OF 3



STATE OF NORTH CAROLINA
 DEPARTMENT OF TRANSPORTATION
 RALEIGH
SUBSTRUCTURE
END BENT 1

DRAWN BY : P. K. NEWTON DATE : 1/15/22
 CHECKED BY : D. SHACKELFORD DATE : 1/31/23
 DESIGN ENGINEER OF RECORD : P. D. BRYANT DATE : 2/6/23

REVISIONS		SHEET NO.	
NO.	BY:	DATE:	NO.
1			1
2			2
3			3
4			4

DOCUMENT NOT CONSIDERED FINAL UNLESS ALL SIGNATURES COMPLETED

10/24/2023 R:\Structures\Plans\300016\401.061.B5981.SMU.EB1.S1-31.300016.dgn sssandor