

**NOTES**

AT ALL FIXED POINTS OF SUPPORT, NUTS FOR ANCHOR BOLTS ARE TO BE TIGHTENED FINGER TIGHT AND THEN BACKED OFF 1/2 TURN. THE THREAD OF THE NUT AND BOLT SHALL THEN BE BURRED WITH A SHARP POINTED TOOL.

THE 2" Ø PIPE SLEEVE SHALL BE CUT FROM SCHEDULE 40 PVC PLASTIC PIPE. THE PVC PLASTIC PIPE SHALL MEET THE REQUIREMENTS OF ASTM D1785.

STEEL SOLE PLATES, ANCHOR BOLTS, NUTS, AND WASHERS SHALL BE GALVANIZED IN ACCORDANCE WITH THE STANDARD SPECIFICATIONS.

PRIOR TO WELDING, GRIND THE GALVANIZED SURFACE OF THE PORTION OF THE EMBEDDED PLATE AND SOLE PLATE THAT ARE TO BE WELDED. AFTER WELDING, DAMAGED GALVANIZED SURFACES SHALL BE REPAIRED IN ACCORDANCE WITH THE STANDARD SPECIFICATIONS.

WHEN WELDING THE SOLE PLATE TO THE EMBEDDED PLATE IN THE GIRDER, USE TEMPERATURE INDICATING WAX PENS, OR OTHER SUITABLE MEANS, TO ENSURE THAT THE TEMPERATURE OF THE SOLE PLATE DOES NOT EXCEED 300°F. TEMPERATURES ABOVE THIS MAY DAMAGE THE ELASTOMER.

SOLE PLATE "P", BOLTS, NUTS, WASHERS, AND PIPE SLEEVE SHALL BE INCLUDED IN THE PAY ITEM FOR PRESTRESSED CONCRETE GIRDERS.

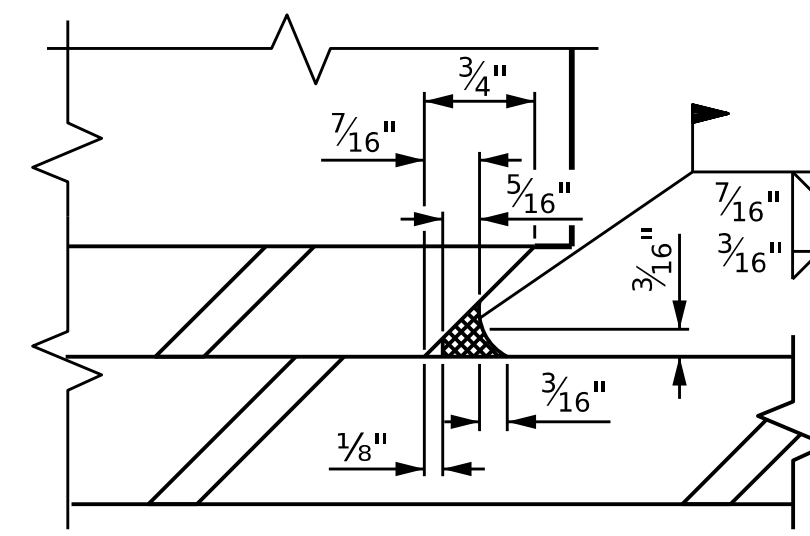
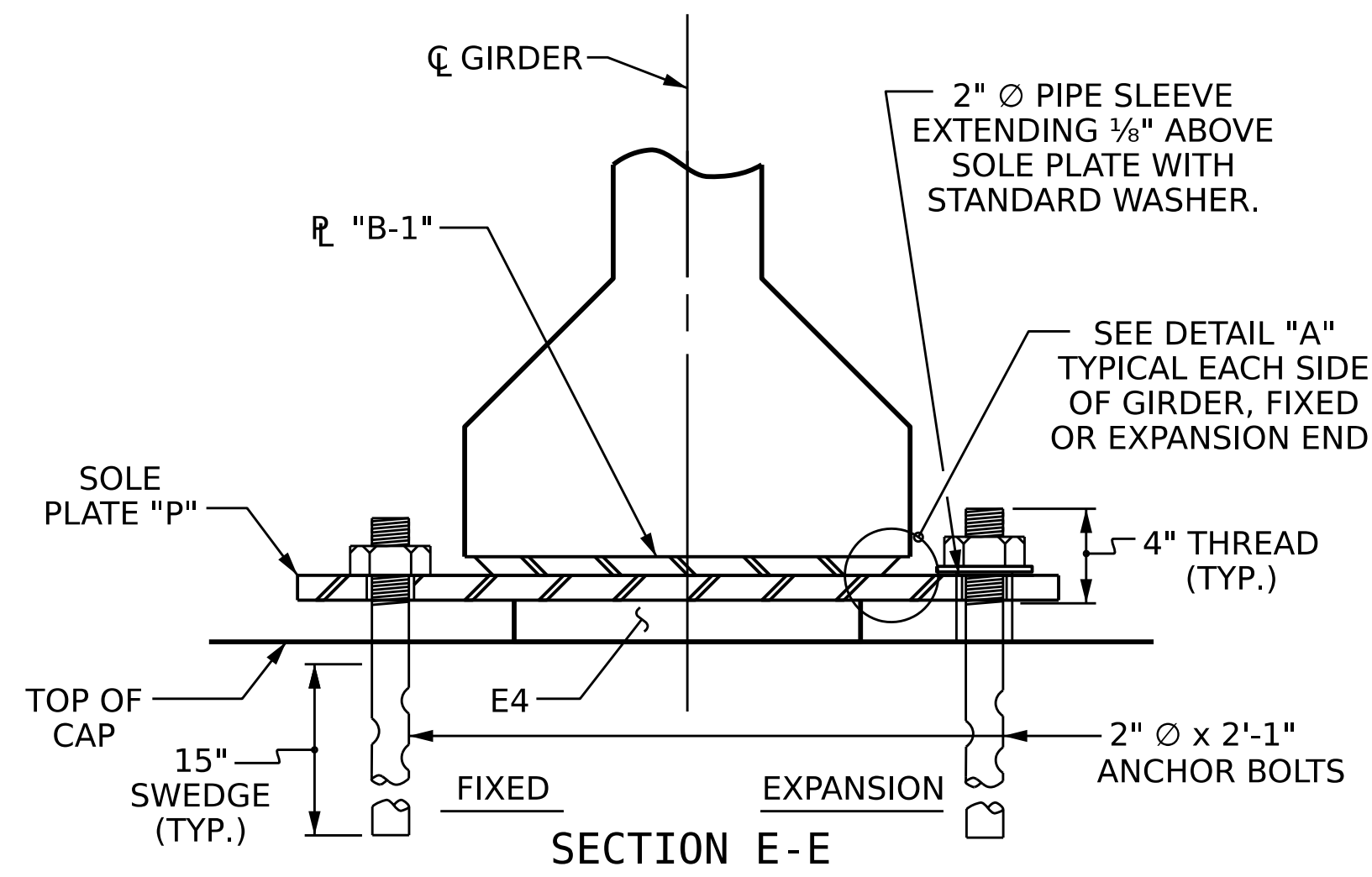
ANCHOR BOLTS SHALL MEET THE REQUIREMENTS OF ASTM A449. NUTS SHALL MEET THE REQUIREMENTS OF AASHTO M291-DH OR AASHTO M292-2H. WASHERS SHALL MEET THE REQUIREMENTS OF AASHTO M293. SHOP DRAWINGS ARE NOT REQUIRED FOR ANCHOR BOLTS, NUTS AND WASHERS. SHOP INSPECTION IS REQUIRED.

ALL SURFACES OF BEARING PLATES SHALL BE SMOOTH AND STRAIGHT.

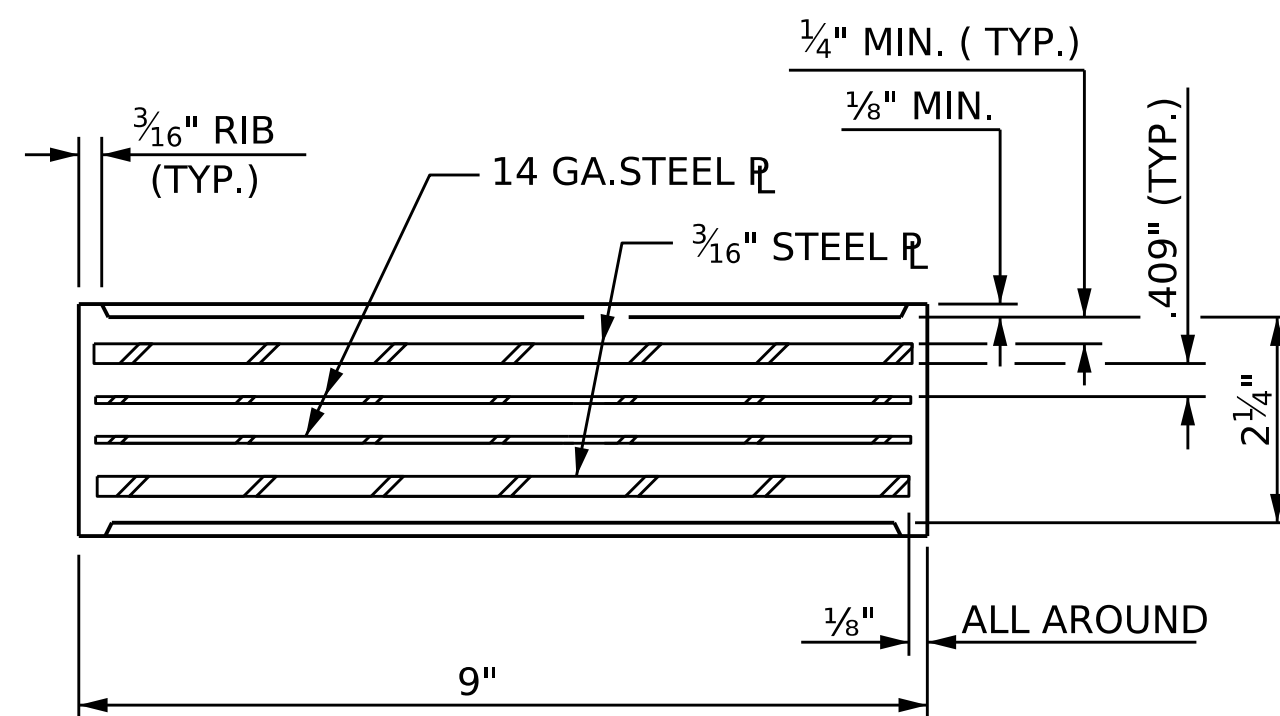
THE ELASTOMER IN THE STEEL REINFORCED BEARINGS SHALL HAVE A SHEAR MODULUS OF 0.160 KSI, IN ACCORDANCE WITH AASHTO M251.

FOR STEEL REINFORCED ELASTOMERIC BEARINGS, SEE SPECIAL PROVISIONS.

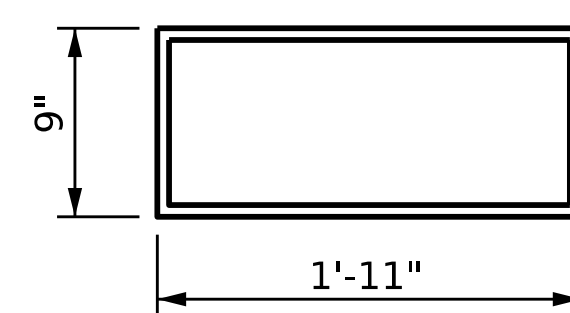
ALL SOLE PLATES SHALL BE AASHTO M270 GRADE 36.



**DETAIL "A"**



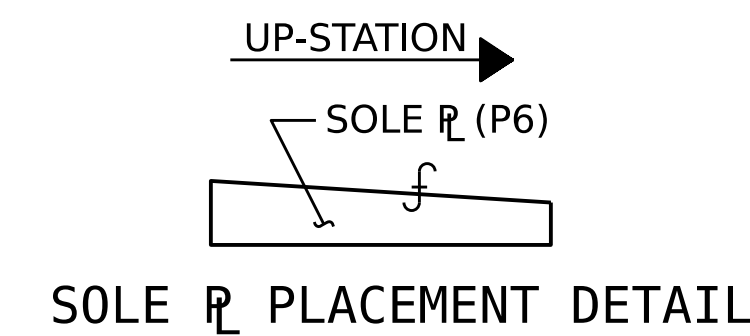
**TYPICAL SECTION OF ELASTOMERIC BEARINGS**



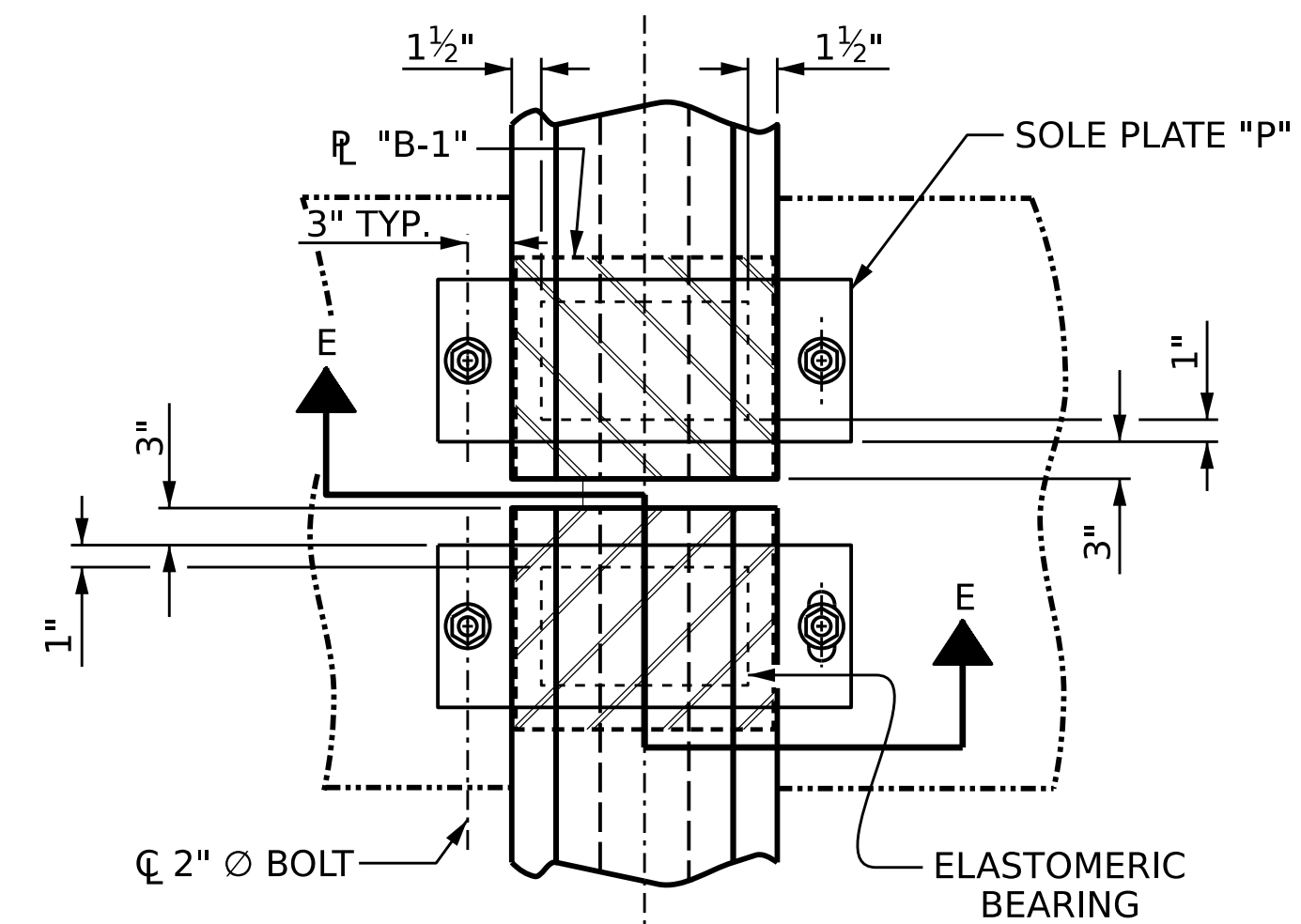
E4 (24 REQ'D)  
**PLAN VIEW OF ELASTOMERIC BEARING**

**TYPE V**

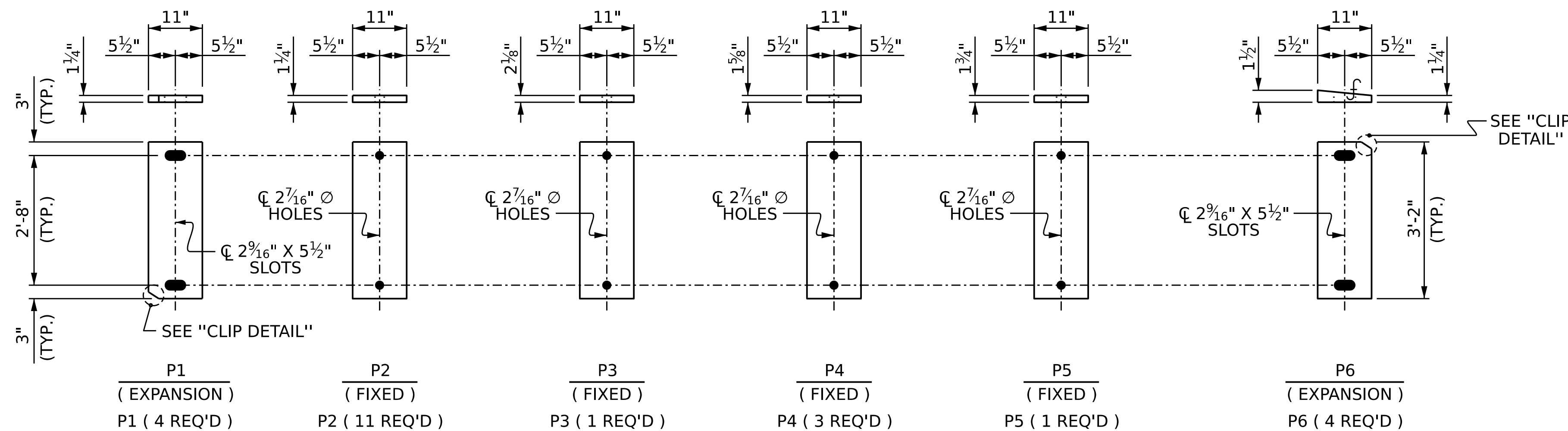
MAXIMUM ALLOWABLE SERVICE LOADS	
D.L.+L.L. (NO IMPACT)	
TYPE V	365 K



**SOLE RIB PLACEMENT DETAIL**

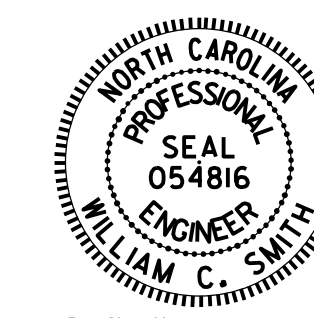


**TYPICAL HALF-PLAN (FIXED END)**      **TYPICAL HALF-PLAN (EXPANSION END)**



**SOLE PLATE DETAILS ( "P" )**

PROJECT NO. **B-5981**  
DUPLIN COUNTY  
STATION: **23+56.64 -L-**



DocuSigned by:  
William C. Smith  
10/24/2023

STATE OF NORTH CAROLINA  
DEPARTMENT OF TRANSPORTATION  
RALEIGH  
**STANDARD ELASTOMERIC BEARING DETAILS**  
PRESTRESSED CONCRETE GIRDER SUPERSTRUCTURE

DESIGN ENGINEER OF RECORD: W.C. SMITH      DATE: 3/8/23	
ASSEMBLED BY: K. BEARD      DATE: 5/6/22	CHECKED BY: D. SHACKELFORD      DATE: 7/8/22
DRAWN BY: WJH 8/89	REV. 1/15      MAA/TMC
CHECKED BY: CRK 8/89	REV. 12/17      MAA/THC
	REV. 10/21      BNB/AAI

DOCUMENT NOT CONSIDERED FINAL UNLESS ALL SIGNATURES COMPLETED

NO.		BY:		DATE:		NO.		BY:		DATE:		SHEET NO.	
1						3						51-19	
2						4						TOTAL SHEETS 43	