

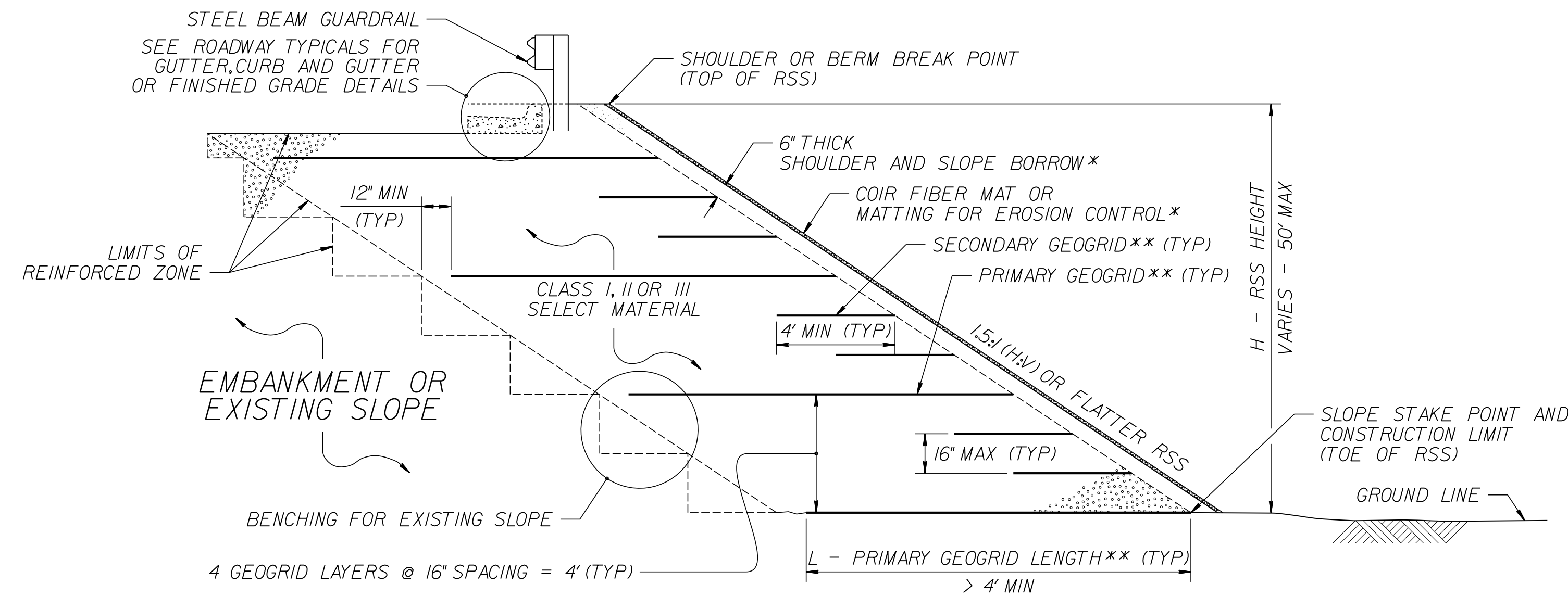
GEOTECHNICAL ENGINEER

ENGINEER



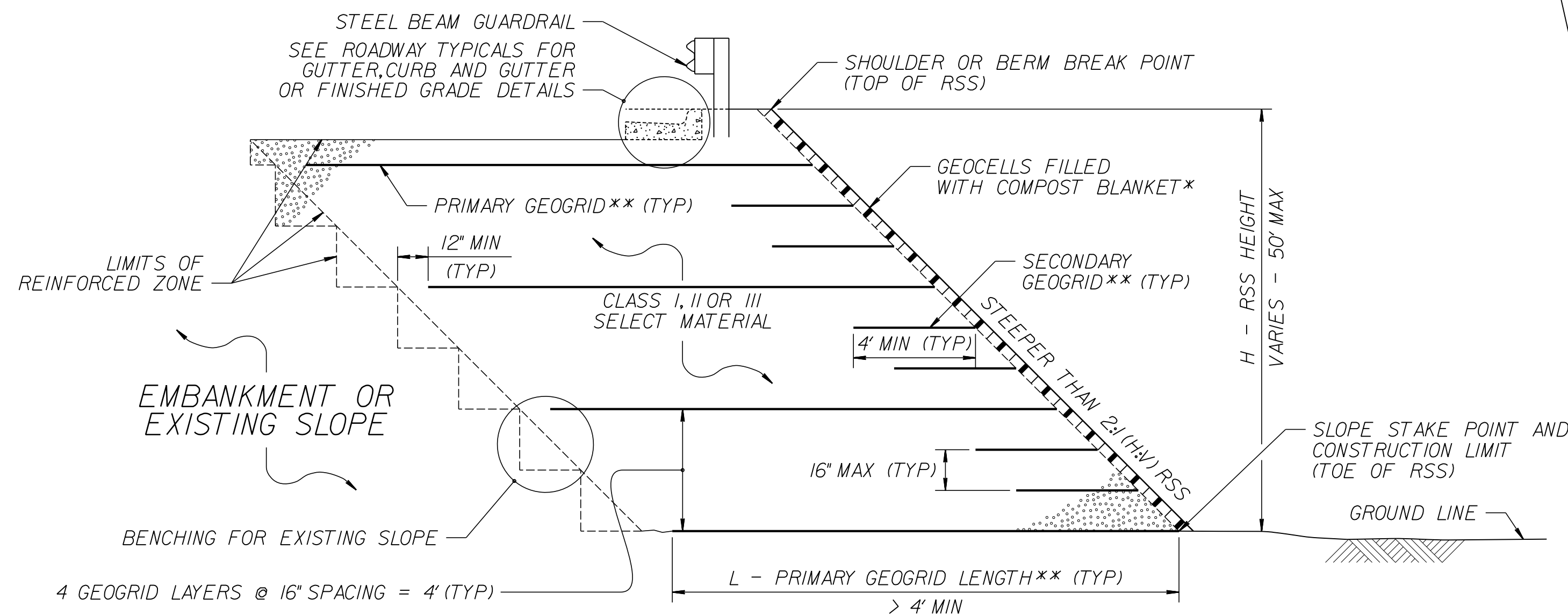
DocuSigned by: Gregory Coons 10/30/2023

DOCUMENT NOT CONSIDERED FINAL UNLESS ALL SIGNATURES COMPLETED



**MATTING WITH SHOULDER AND SLOPE BORROW**

**\*SEE NOTES 3 AND 9 ON SHEET 2.**

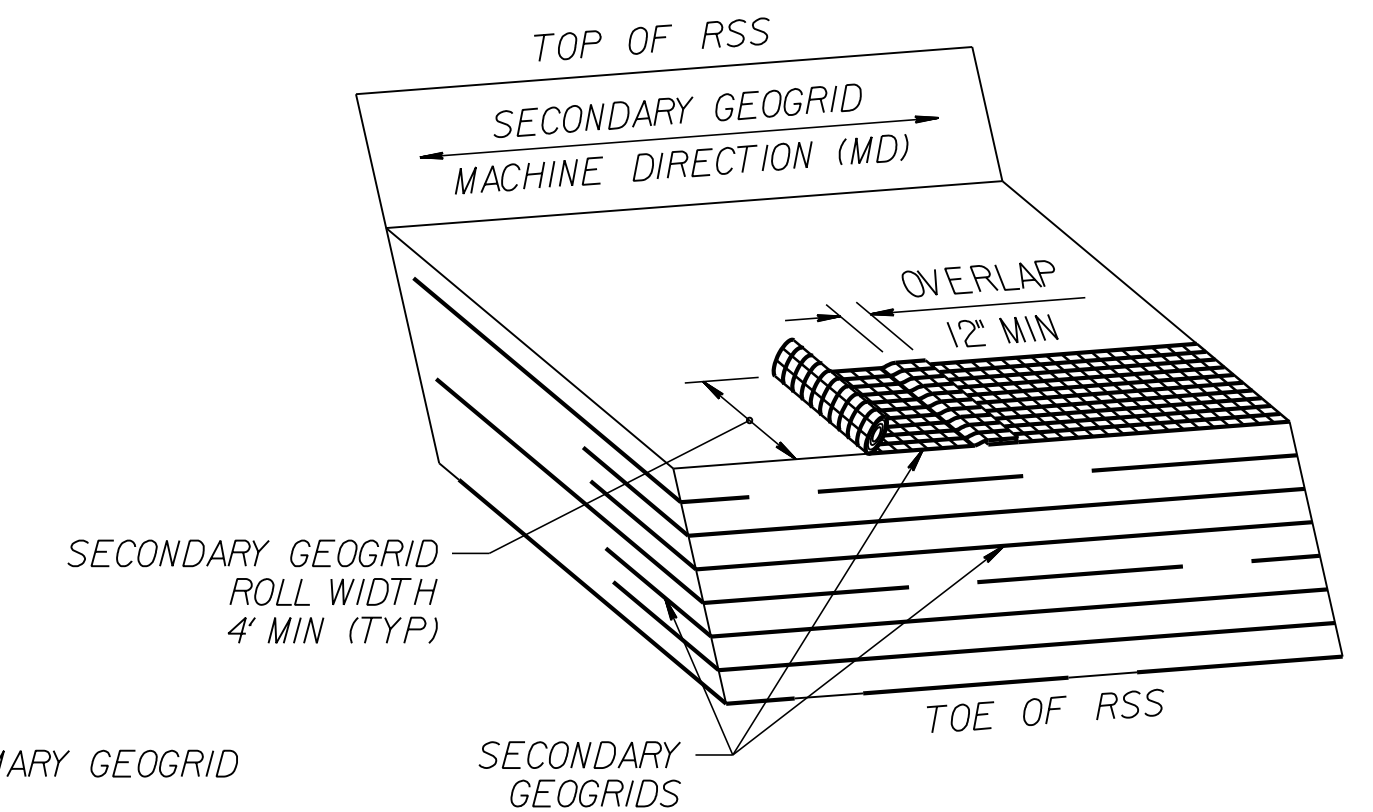
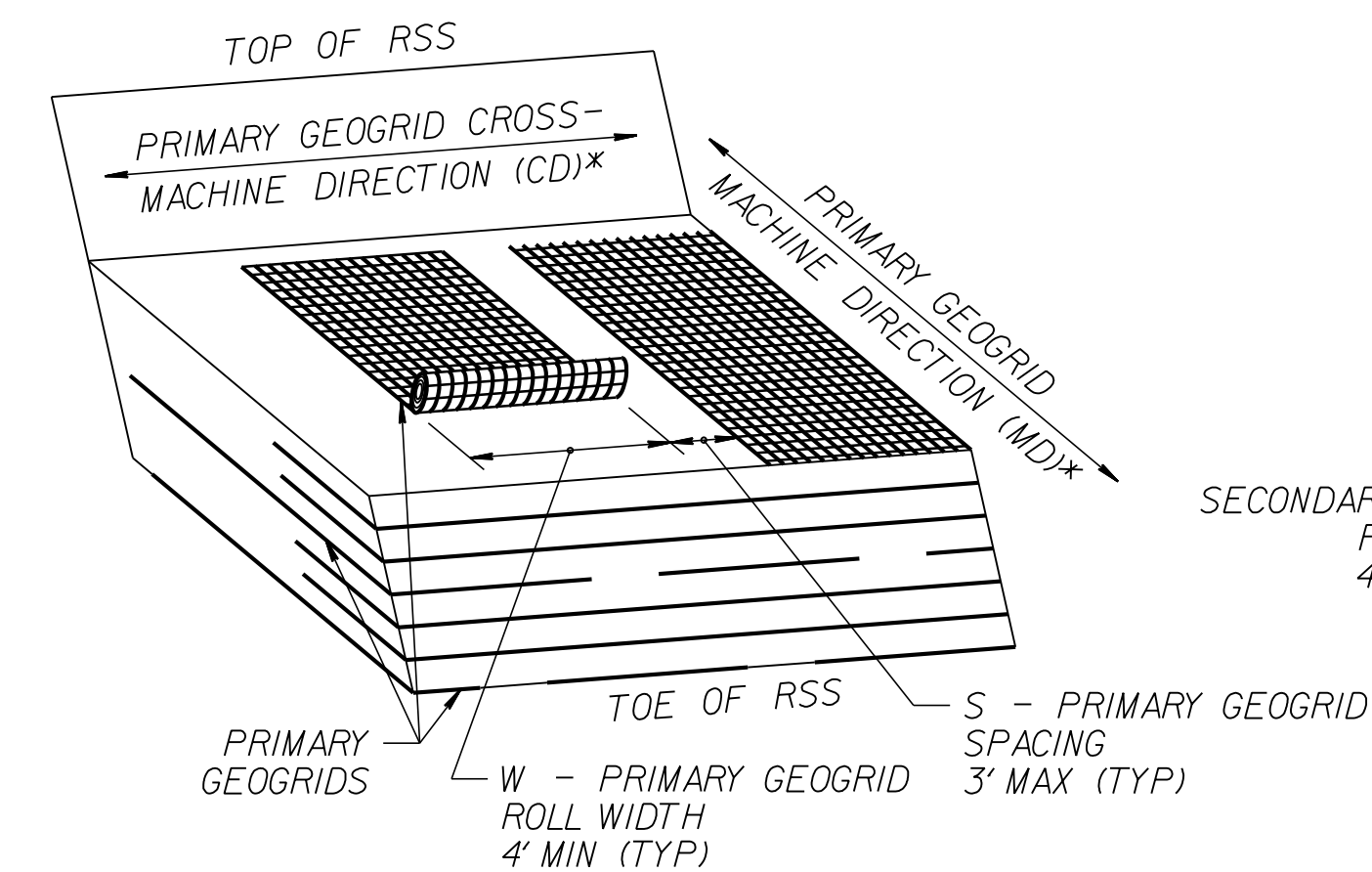


**GEOCELLS WITH COMPOST BLANKET**

**\*SEE NOTES 3 AND 9 ON SHEET 2.**

**REINFORCED SOIL SLOPE (RSS)**

**\*\*SEE TABLES ON SHEET 2 AND GEOGRID PLACEMENT DETAILS.**



**GEOGRID PLACEMENT DETAILS**

$$(\% \text{ COVERAGE} = \frac{W}{W+S} \times 100 \geq 75\%)$$

**\*SEE NOTES 6 AND 7 ON SHEET 2.**

**RK&K**  
P: (919) 878-9560  
8601 Six Forks Road, Forum 1, Suite 700  
Raleigh, North Carolina 27615-3960  
NC License No. F-0112

Engineers | Construction Managers | Planners | Scientists  
www.rkk.com

Responsive People | Creative Solutions

**REINFORCED SOIL SLOPE (RSS)**  
**STATIONS -L- 93+25 TO 97+25 RT &**  
**STATIONS -L- 119+75 TO 121+25 LT**  
**SHEET 1 OF 2**