



STATE OF NORTH CAROLINA
DEPARTMENT OF TRANSPORTATION

ROY COOPER
GOVERNOR

J.R. "JOEY" HOPKINS
SECRETARY

December 15, 2023

Addendum No. 2

RE: Contract # C204823

WBS # 50230.3.1

STATE FUNDED

Haywood County (U-5839)

US-276 (RUSS AVE) FROM US-23/74 TO US-23 BUS (MAIN ST) IN
WAYNESVILLE.

December 19, 2023 Letting

To Whom It May Concern:

Reference is made to the plans furnished to you on this project.


The following revision has been made to the Signal Plans.

Sheet No.	Revision
New Sheet Sig 4.3	Intersection drawing sheet added

Please staple the above listed New Sheet Sig 4.3 in your Plans after existing Sheet Sig 4.2.

The contract will be prepared accordingly.

Sincerely,

DocuSigned by:

 F81B6038A47A442...

Ronald E. Davenport, Jr., PE
State Contract Officer

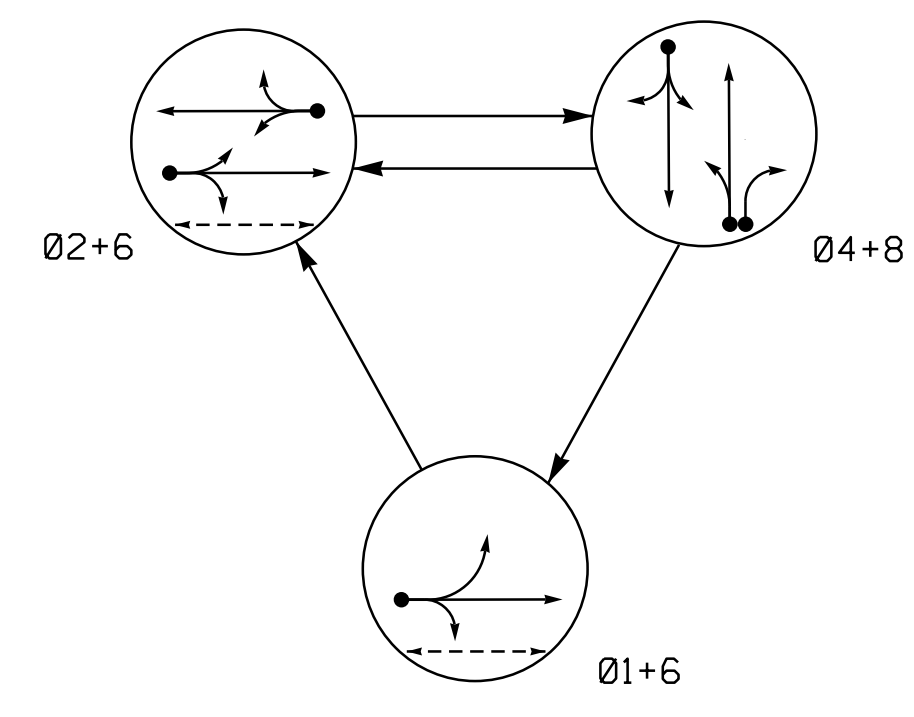
RED/jjr

Attachments

cc: Mr. Boyd Tharrington, PE
Ms. Wanda H. Payne, PE
Mr. Ken Kennedy, PE
Mr. Malcolm Bell
Project File (2)

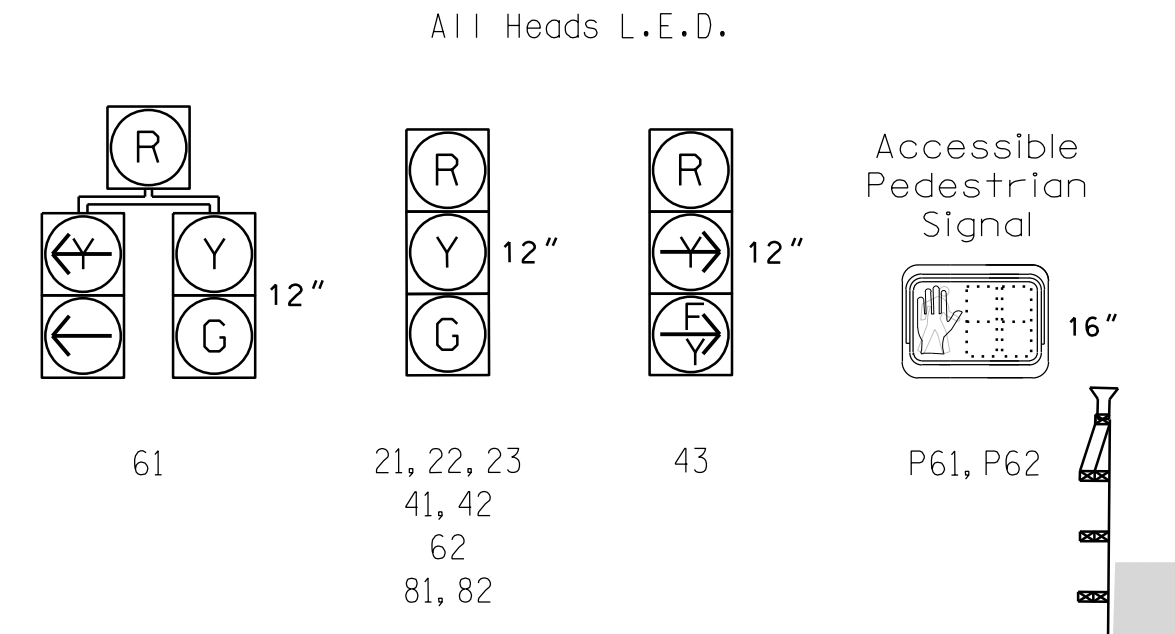
Mr. Forrest Dungan, PE
Ms. Jaci Kincaid
Mr. Jon Weathersbee, PE

PHASING DIAGRAM



SIGNAL FACE	PHASE			
	01+6	02+6	04+8	01+6
21, 22, 23	R	G	R	Y
41, 42	R	R	G	R
43	R	R	E	R
61	G	G	R	Y
62	G	G	R	Y
81, 82	R	R	G	R
P61, P62	W	W	DW	DRK

SIGNAL FACE I.D.



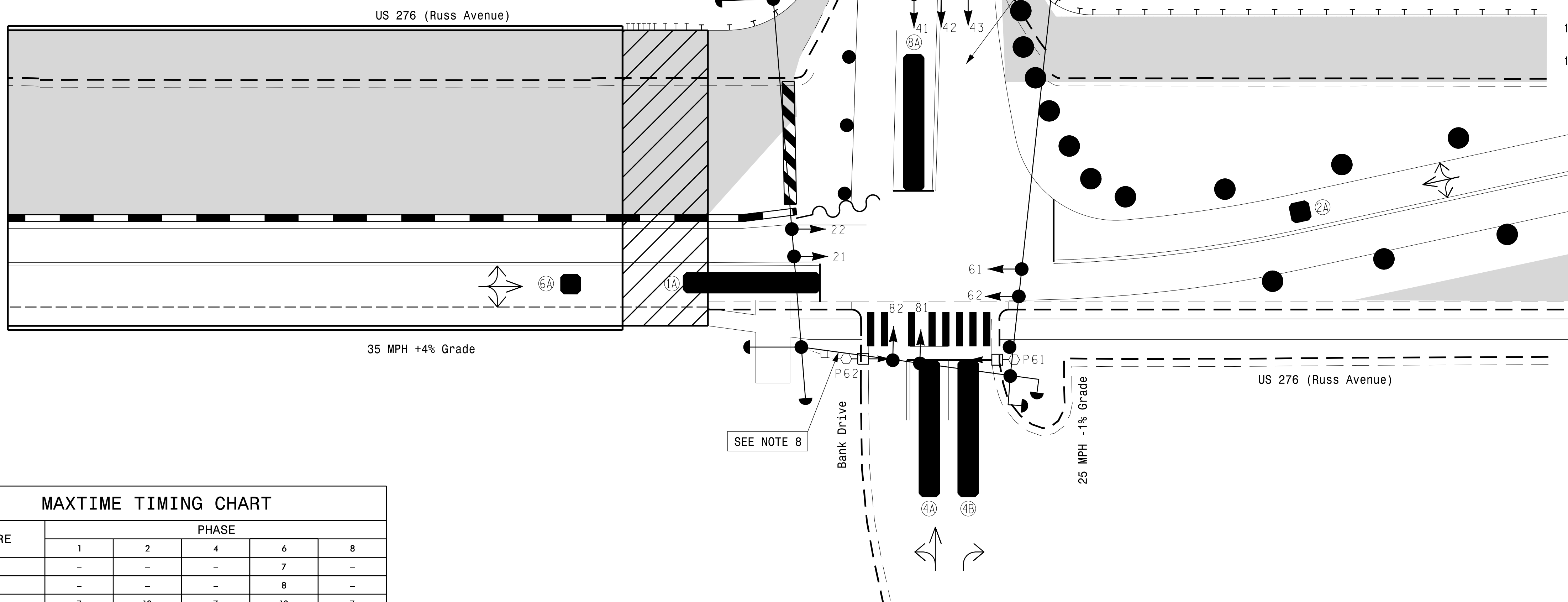
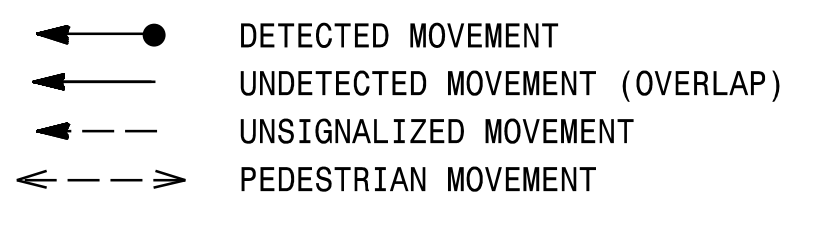
MAXTIME DETECTOR INSTALLATION CHART											
DETECTOR				PROGRAMMING							
ZONE	SIZE (FT)	DISTANCE FROM STOPBAR (FT)	TURNS	NEW LOOP	CALL PHASE	DELAY TIME	EXTEND TIME	EXTEND	ADDED INITIAL	CALL	NEW CARD
1A	6X40	0	*	*	1	15	-	X	-	X	*
					6	3	-	X	-	X	*
2A	6X6	70	*	*	2	-	-	X	-	X	*
4A	6X40	0	*	*	4	3	-	X	-	X	*
4B	6X40	0	*	*	4	15	-	X	-	X	*
6A	6X6	70	*	*	6	-	-	X	-	X	*
8A	6X40	0	*	*	8	10	-	X	-	X	*

3 Phase Fully Actuated D14-12_Waynesville

NOTES

- Refer to "Roadway Standard Drawings NCDOT" dated January 2018 and "Standard Specifications for Roads and Structures" dated January 2018.
- Do not program signal for late night flashing operation unless otherwise directed by the Engineer.
- Set all detector units to presence mode.
- Enable Backup Protect for phase 6 to allow the controller to clear from phase 2+6 to phase 1+6 by progressing through an all red display.
- Omit "WALK" and flashing "DON'T WALK" with no pedestrian calls.
- Program pedestrian heads to countdown the flashing "Don't Walk" time only.
- This intersection features accessible pedestrian signals utilizing percussive tone walk indications and/or speech messages.
- Reposition signal heads 21, 22, 41, 42, 61, 62, 81, and 82.
- Contractor shall disconnect and bag head 83 during this temporary signal design phase.
- See traffic control plans for stop bar and crosswalk locations.
- This intersection utilizes multi-zone microwave detection. Install detectors according to the manufacturer's instructions to achieve the desired detection.
- Maximum times shown in timing chart are for free-run operation only. Coordinated signal system timing values supersede these values.
- Closed loop system data: Controller Asset # 0685.

PHASING DIAGRAM DETECTION LEGEND



MAXTIME TIMING CHART

FEATURE	PHASE				
	1	2	4	6	8
Walk *	-	-	-	7	-
Ped Clear *	-	-	-	8	-
Min Green	7	10	7	10	7
Passage *	2.0	3.0	2.0	3.0	2.0
Max 1 *	15	45	25	45	25
Yellow Change	4.2	4.2	3.2	4.2	3.0
Red Clear	1.1	1.1	1.3	1.1	1.4
Red Revert	2.0	2.0	2.0	5.0	2.0
Added Initial *	-	-	-	-	-
Maximum Initial *	-	-	-	-	-
Time Before Reduction *	-	-	-	-	-
Time To Reduce *	-	-	-	-	-
Minimum Gap	-	-	-	-	-
Advance Walk	-	-	-	-	-
Non Lock Detector	X	-	X	-	X
Vehicle Recall	-	MIN RECALL	-	MIN RECALL	-
Dual Entry	-	-	X	-	X

* These values may be field adjusted. Do not adjust Min Green and Extension times for phases 2 and 6 lower than what is shown. Min Green for all other phases should not be lower than 4 seconds.

ACCESSIBLE PEDESTRIAN SIGNAL OPERATION

SIGNAL FACE	VOICE TONES	INTERVAL	SPEECH MESSAGE
P61	- X	Walk	(Percussive Tone)
	X -	Flashing Don't Walk / Don't Walk	Wait. Wait to cross Bank.
P62	- X	Walk	(Percussive Tone)
	X -	Flashing Don't Walk / Don't Walk	Wait. Wait to cross Bank.

PROPOSED	LEGEND	EXISTING
	Traffic Signal Head	
	Modified Signal Head	
	Pedestrian Signal Head With Push Button & Sign	
	Signal Pole with Guy	
	Signal Pole with Sidewalk Guy	
	Inductive Loop Detector	
	Controller & Cabinet	
	Junction Box	
	2-in Underground Conduit	
	Right of Way	
	Directional Arrow	
	Microwave Detection Zone	N/A
	Construction Zone	N/A
	Construction Zone Drums	N/A
	Type III Barricade	N/A
	Type II Signal Pedestal	

Signal Upgrade Temporary Design 2 - (TMP Phase II)

Prepared For:

 750 N. Greenfield Pkwy, Garner, NC 27529

US 276 (Russ Avenue) at West Marshall Street / Bank Drive

Division 14 Haywood County Wayneville

PLAN DATE: April 2023 REVIEWED BY: WJ Hamilton

PREPARED BY: TS Popelka RKA PROJ. NO.: 16085 (040)

SEAL

 William J. Hamilton
 04/11/2023

SCALE: 0" = 20'

1" = 20'

4/10/2023 4:06:51 PM ts_popelka.dgn User: tsaw11dbr

Infrastructure Consulting Services, Inc.
RKA
 RAMEY KEMP ASSOCIATES
 8210 University Executive Park Drive Suite 220 Charlotte, North Carolina 28226
 Phone: 704-549-4260 | www.rameykemp.com | NC License No. F-1489

DOCUMENT NOT CONSIDERED FINAL UNLESS ALL SIGNATURES COMPLETED

SIG. INVENTORY NO. 14-0685T2