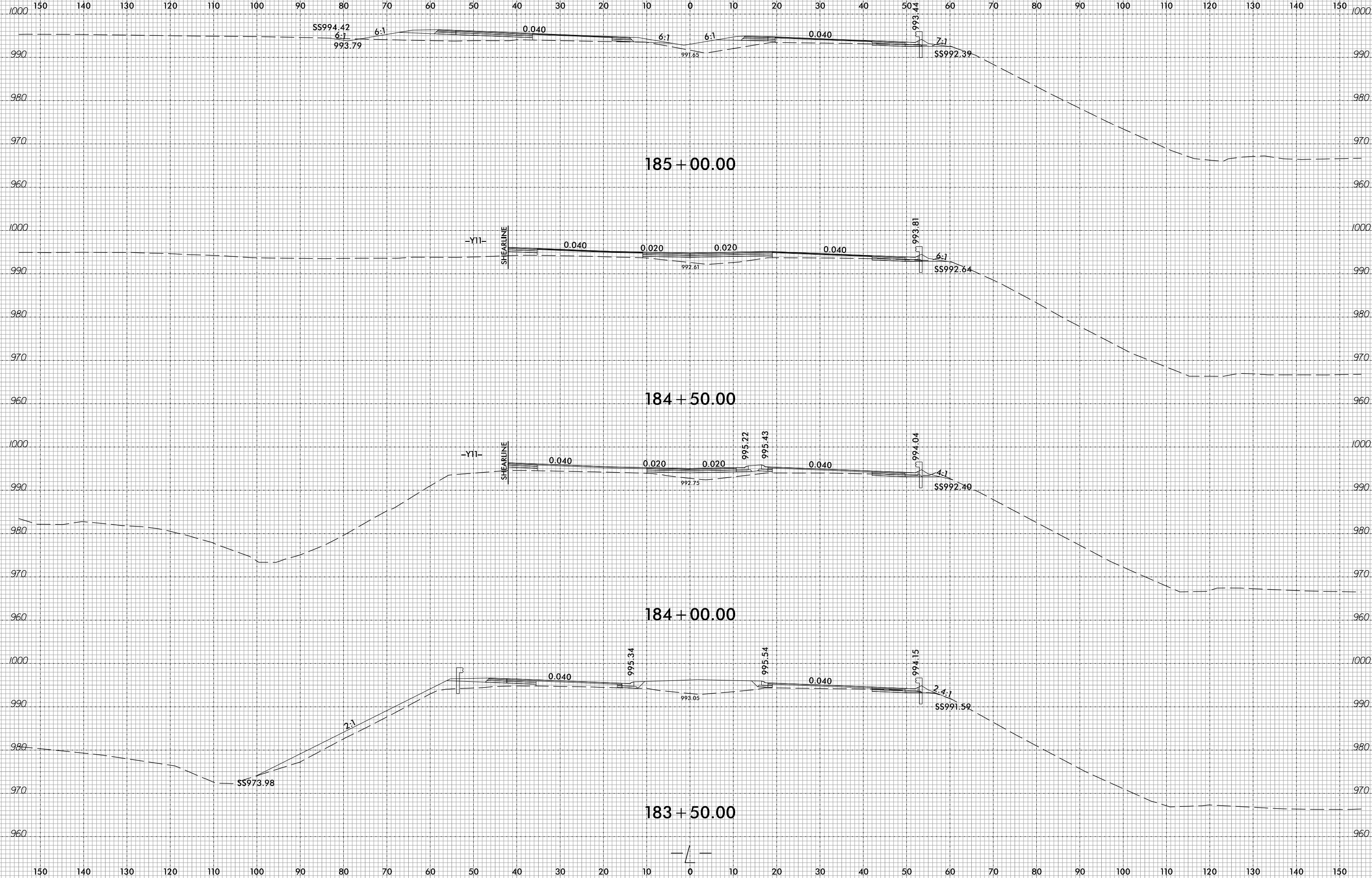




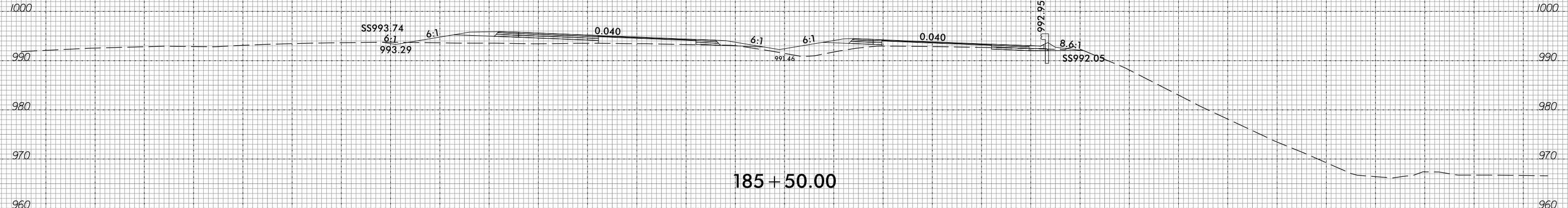
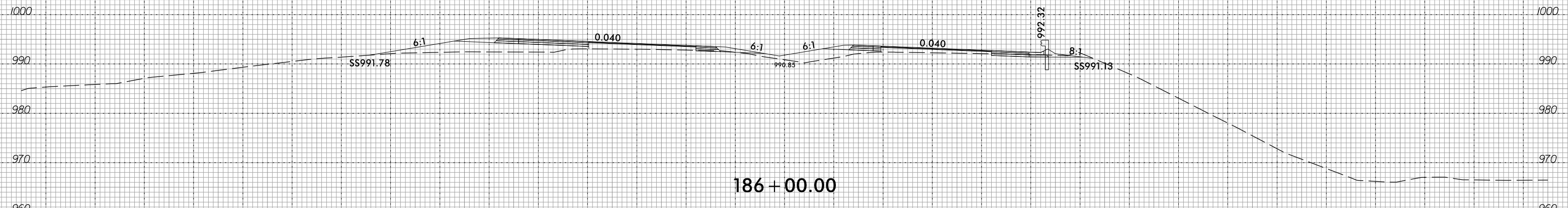
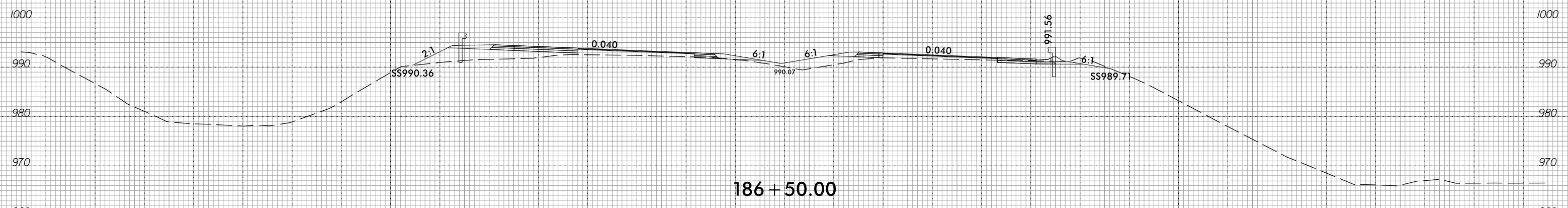
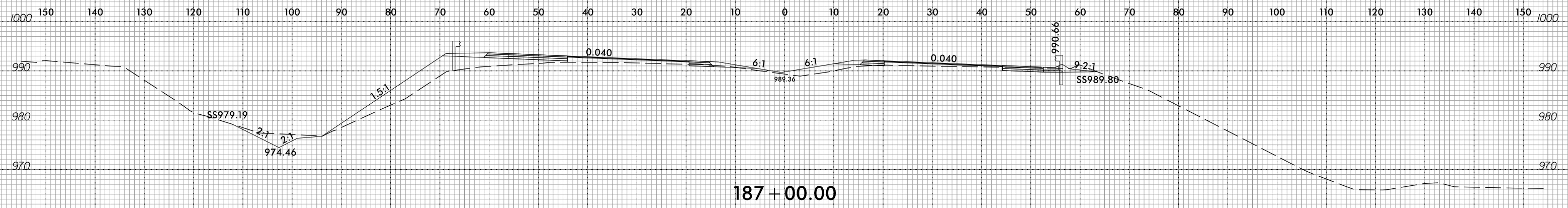
6/23/16



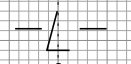
3/9/2023  
R:\Projects\Corridor-Modeling\U5312\_rdy\_xpl.dgn  
J. Javelina

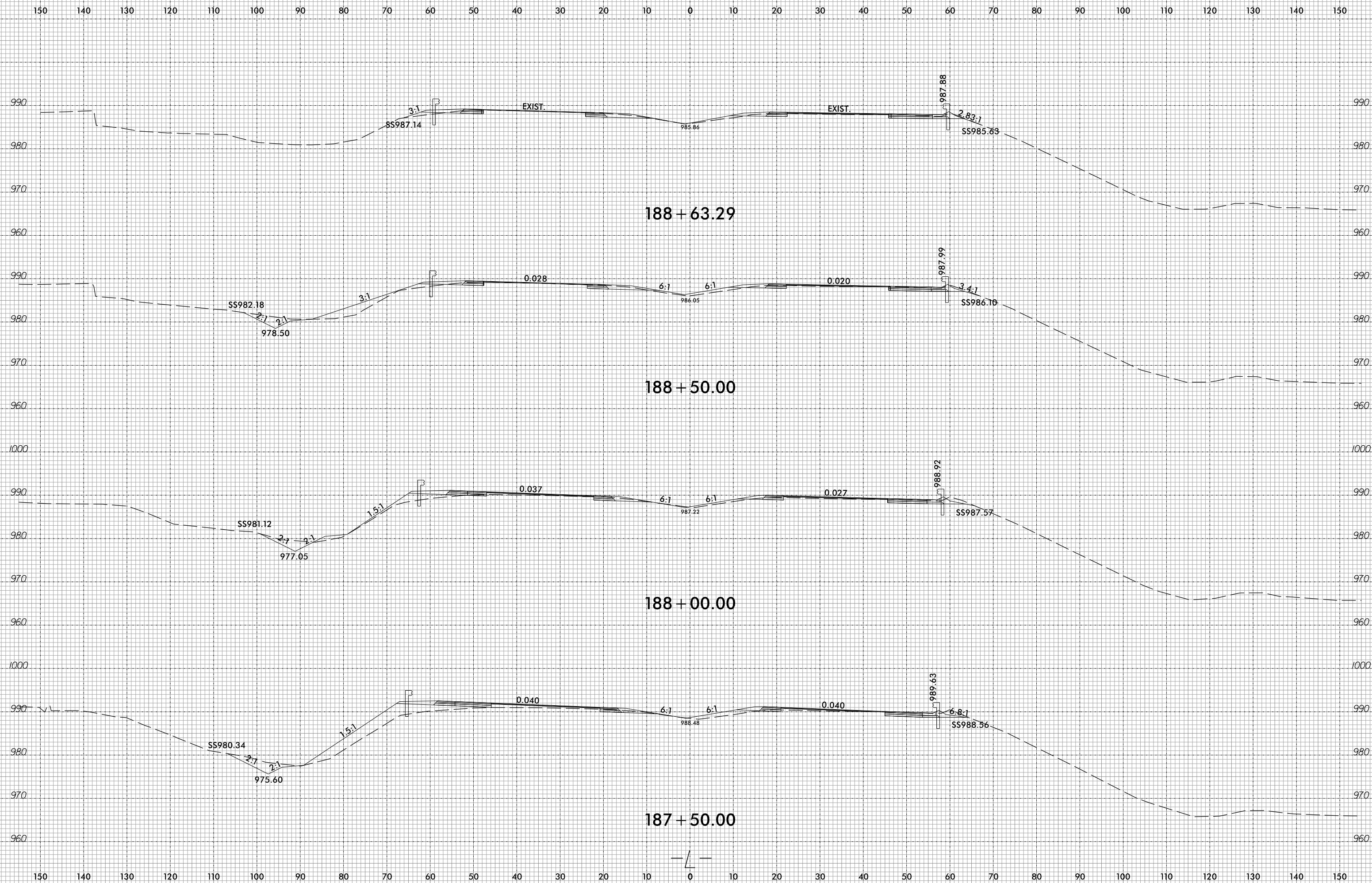
6/23/16

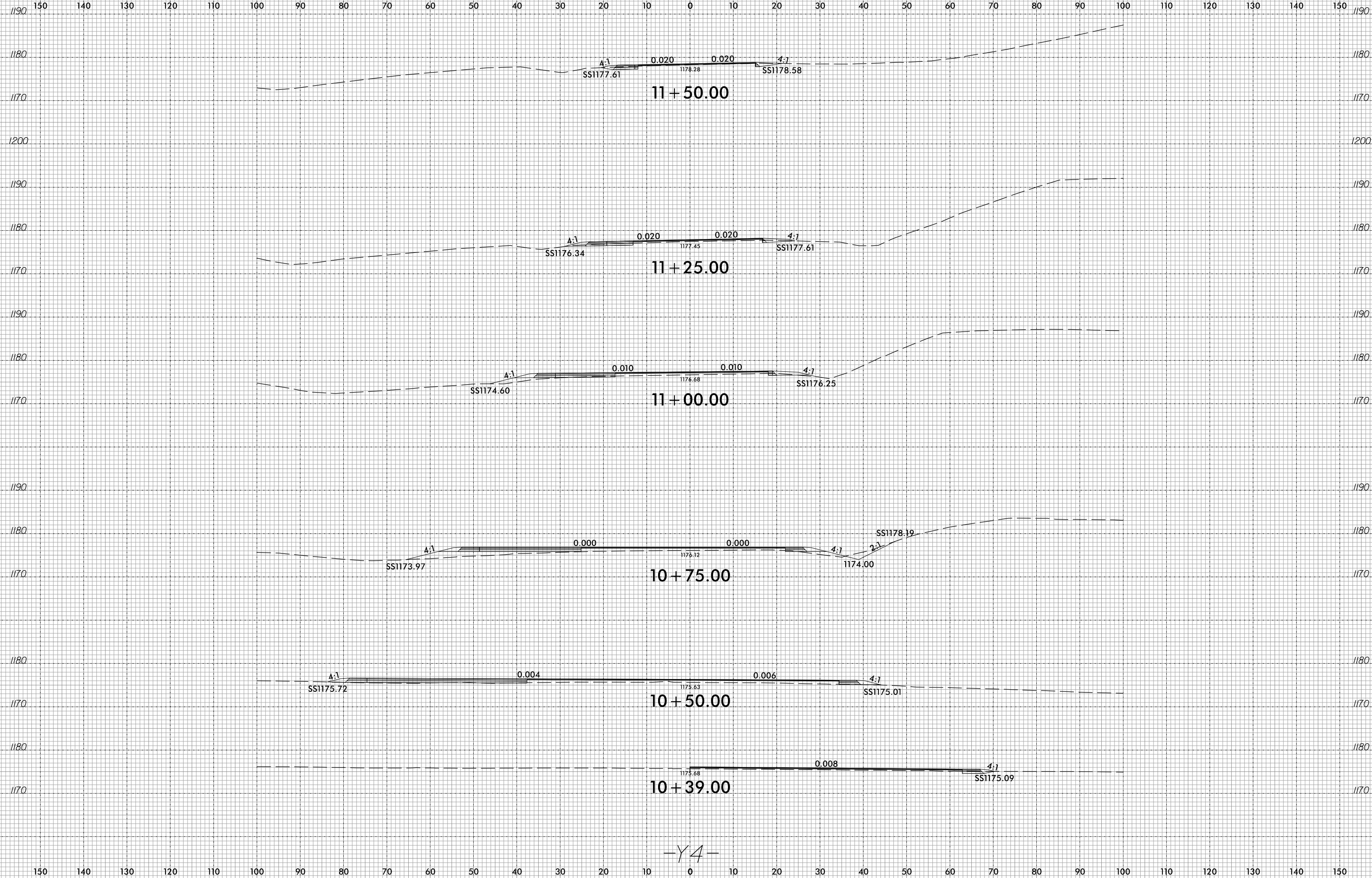
0 5 10	PROJ. REFERENCE NO. U-5312	SHEET NO. X-79
--------	-------------------------------	-------------------



3/9/2023 J:\Projects\Corridor-Modeling\U5312\_rdy\_xpl.dgn J.Javelina

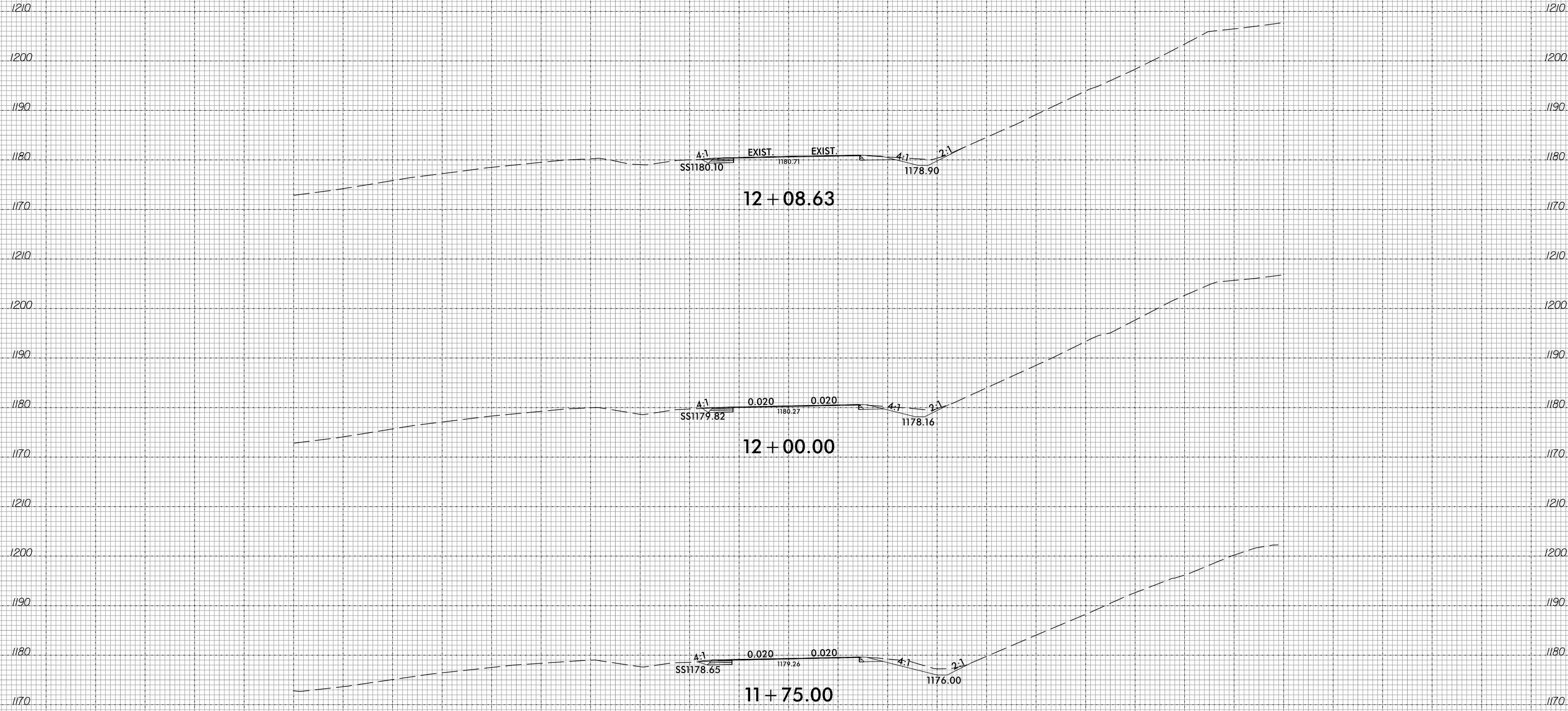






-Y4-

150 140 130 120 110 100 90 80 70 60 50 40 30 20 10 0 10 20 30 40 50 60 70 80 90 100 110 120 130 140 150



12 + 08.63

12 + 00.00

11 + 75.00

-Y4-