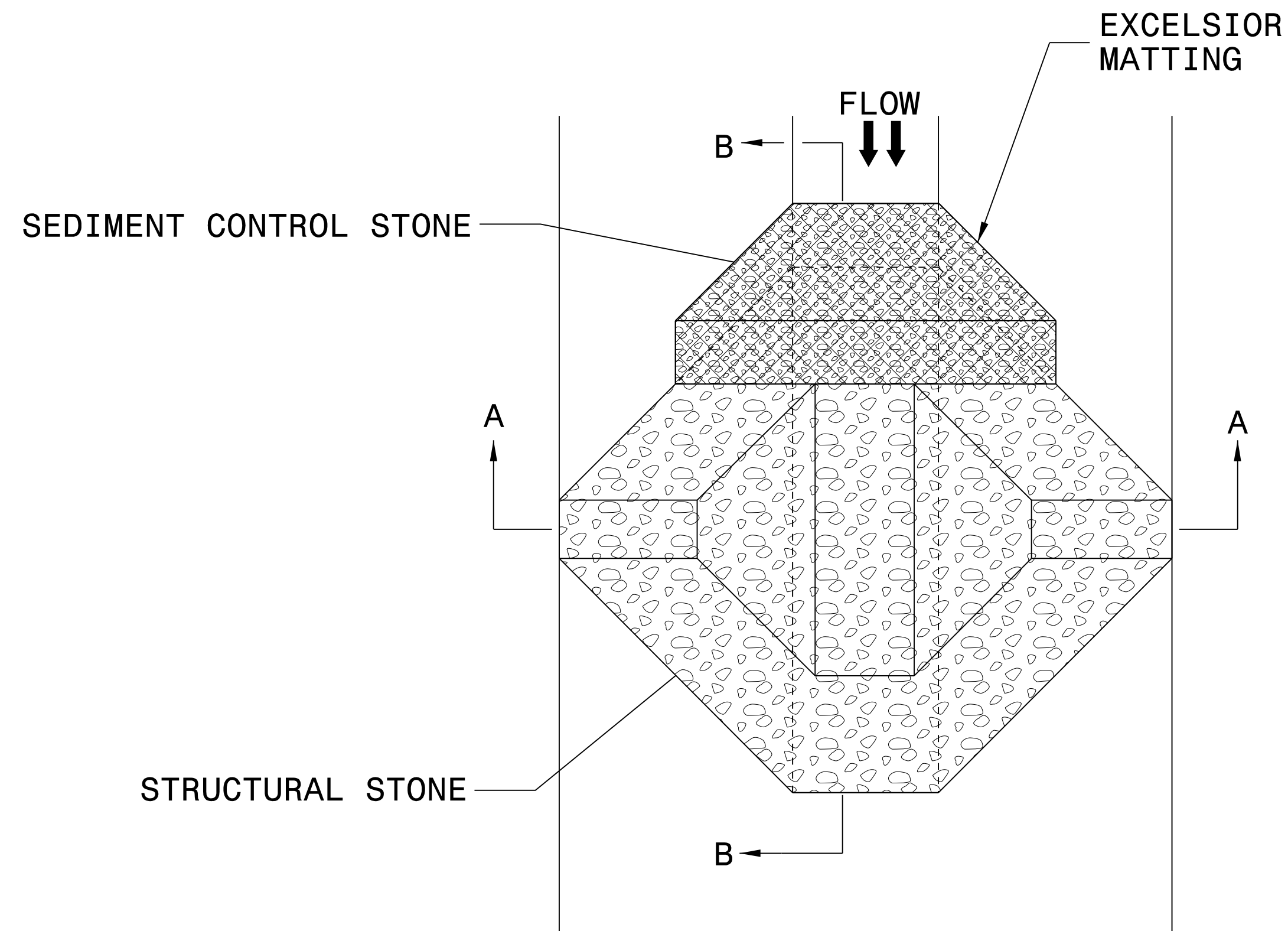


TEMPORARY ROCK SILT CHECK TYPE 'A' WITH EXCELSIOR MATTING AND POLYACRYLAMIDE (PAM)



PLAN

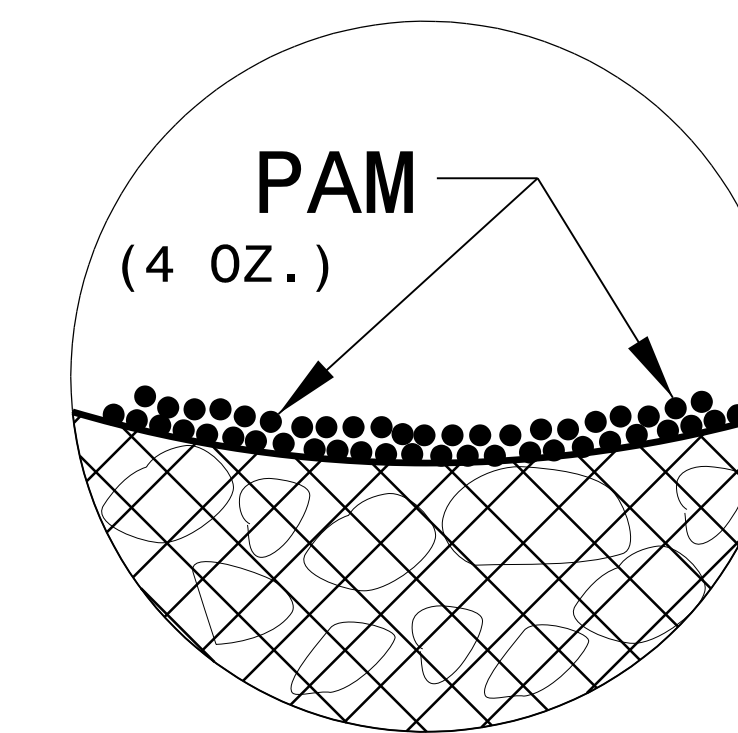
NOTES:

INSTALL TEMPORARY ROCK SILT CHECK TYPE A IN ACCORDANCE WITH ROADWAY STANDARD DRAWING NO. 1633.01.

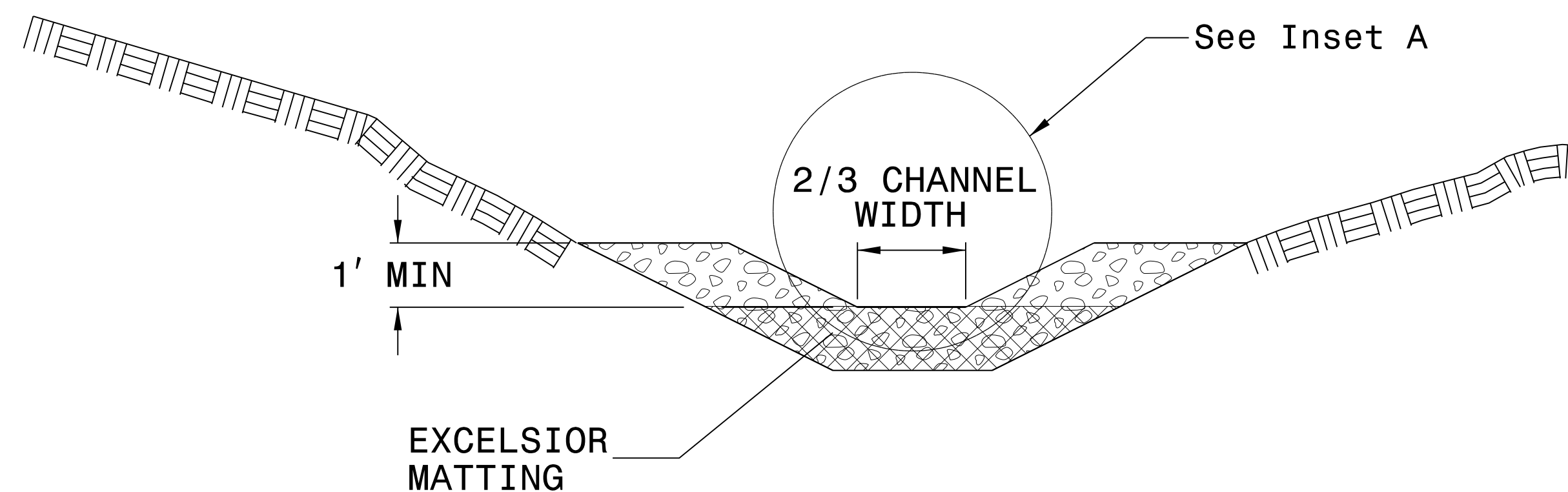
USE EXCELSIOR FOR MATTING MATERIAL AND ANCHOR MATTING SECTION AT TOP AND BOTTOM WITH CLASS B STONE.

PRIOR TO POLYACRYLAMIDE (PAM) APPLICATION, OBTAIN A SOIL SAMPLE FROM PROJECT LOCATION, AND FROM OFFSITE MATERIAL, AND ANALYZE FOR APPROPRIATE PAM FLOCCULANT TO BE APPLIED TO EACH ROCK SILT CHECK.

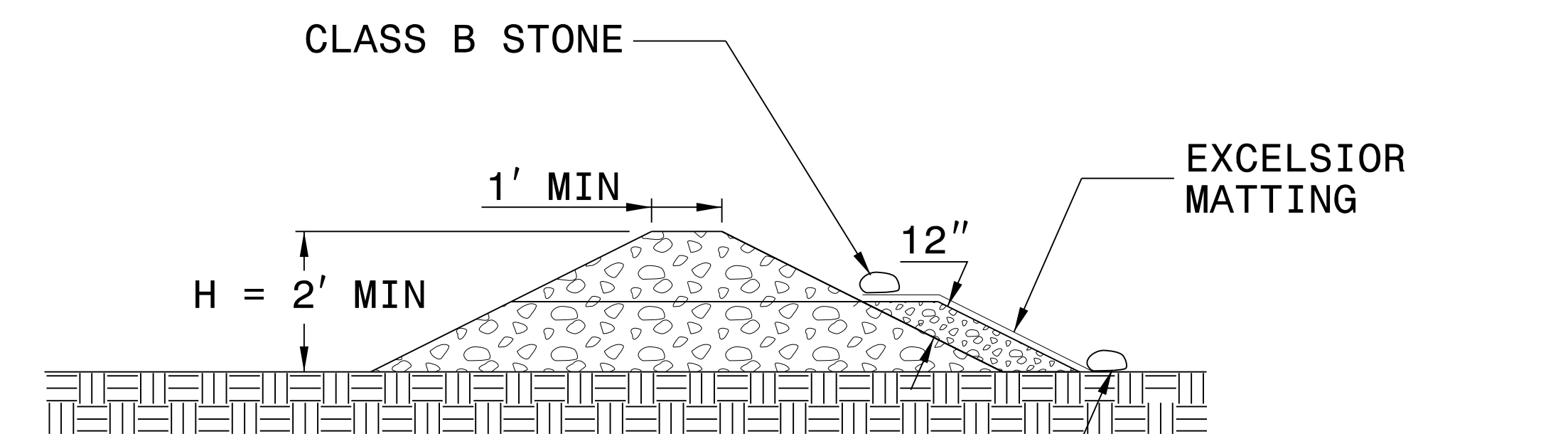
INITIALLY APPLY 4 OUNCES OF POLYACRYLAMIDE (PAM) TO TOP OF MATTING SECTION AND AFTER EVERY RAINFALL EVENT THAT EQUALS OR EXCEEDS 0.50 INCHES.



INSET A



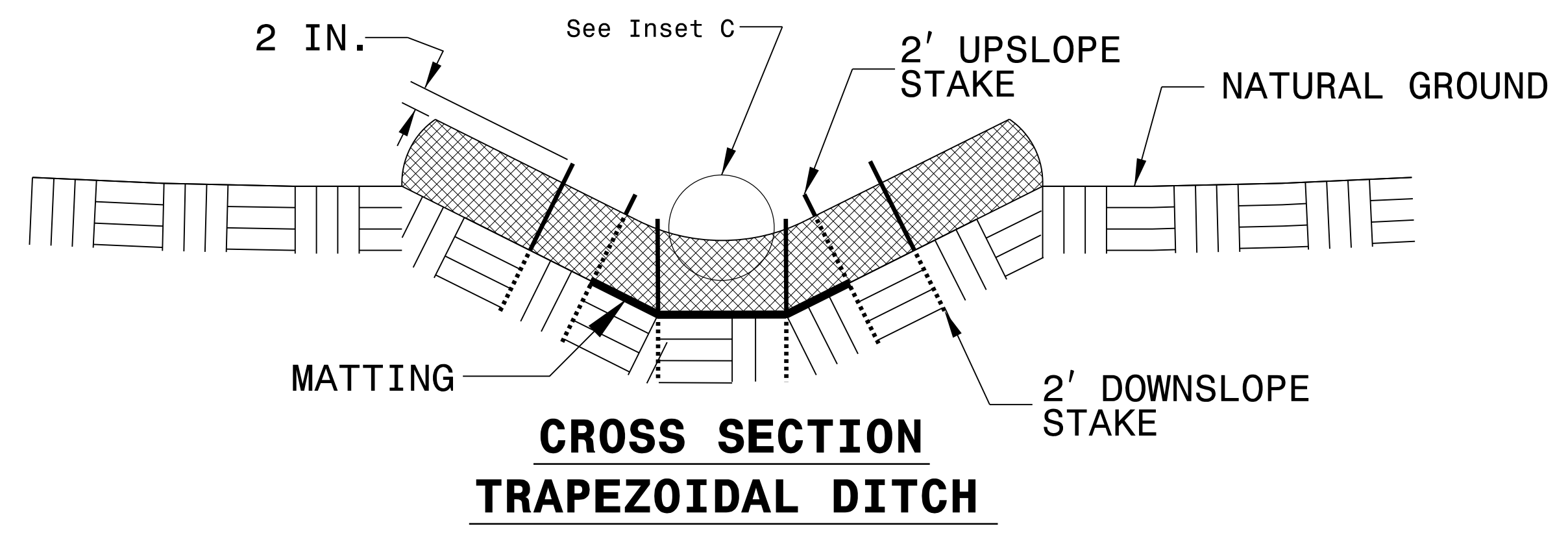
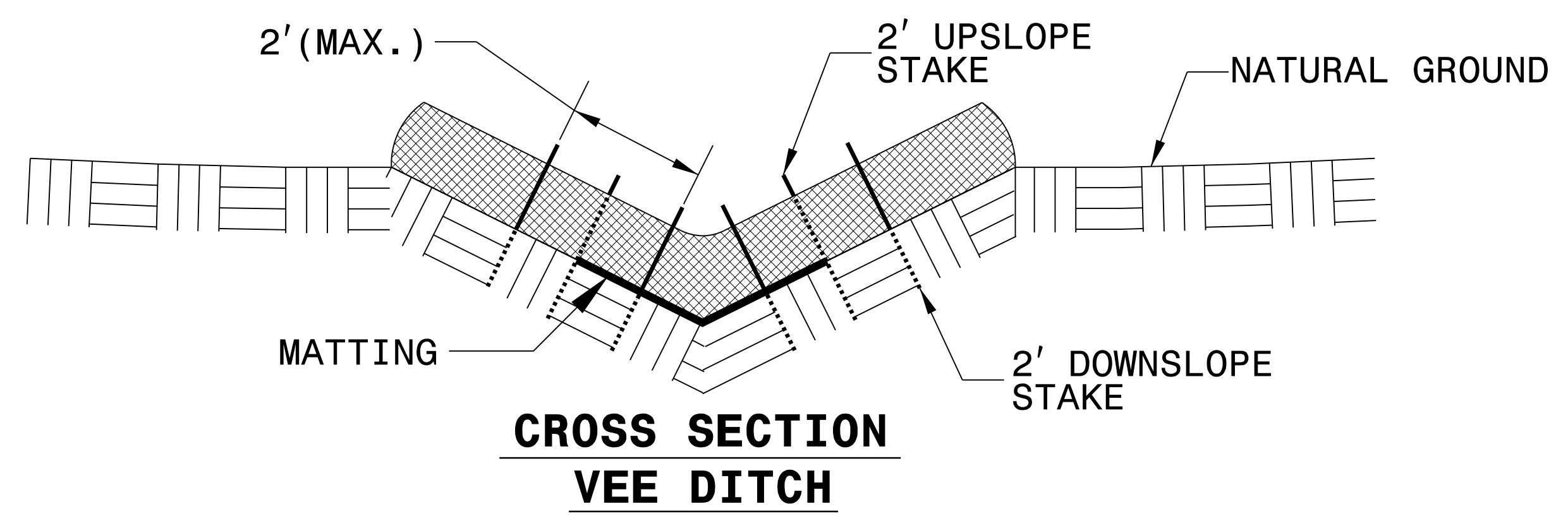
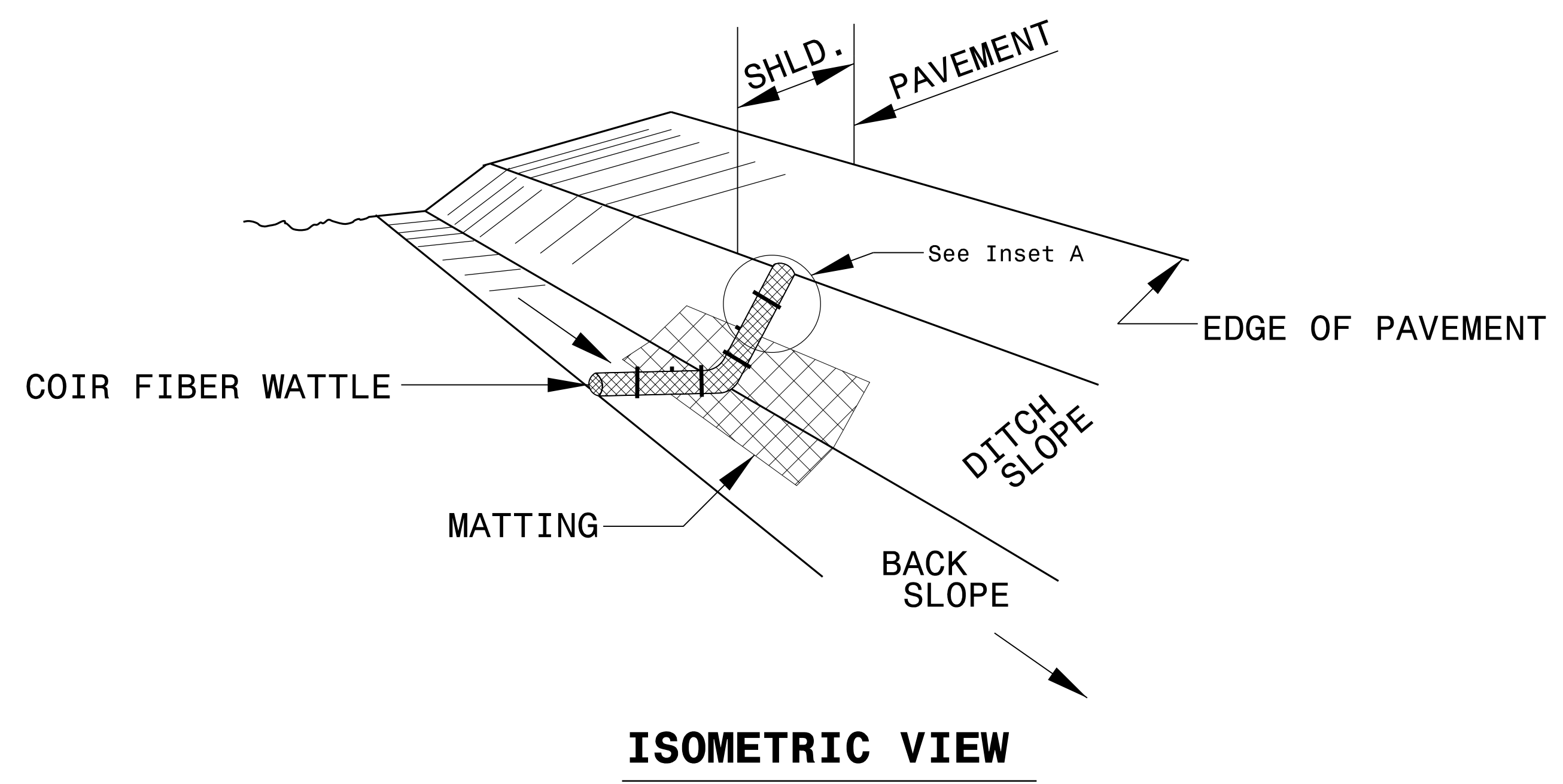
SECTION A-A



SECTION B-B

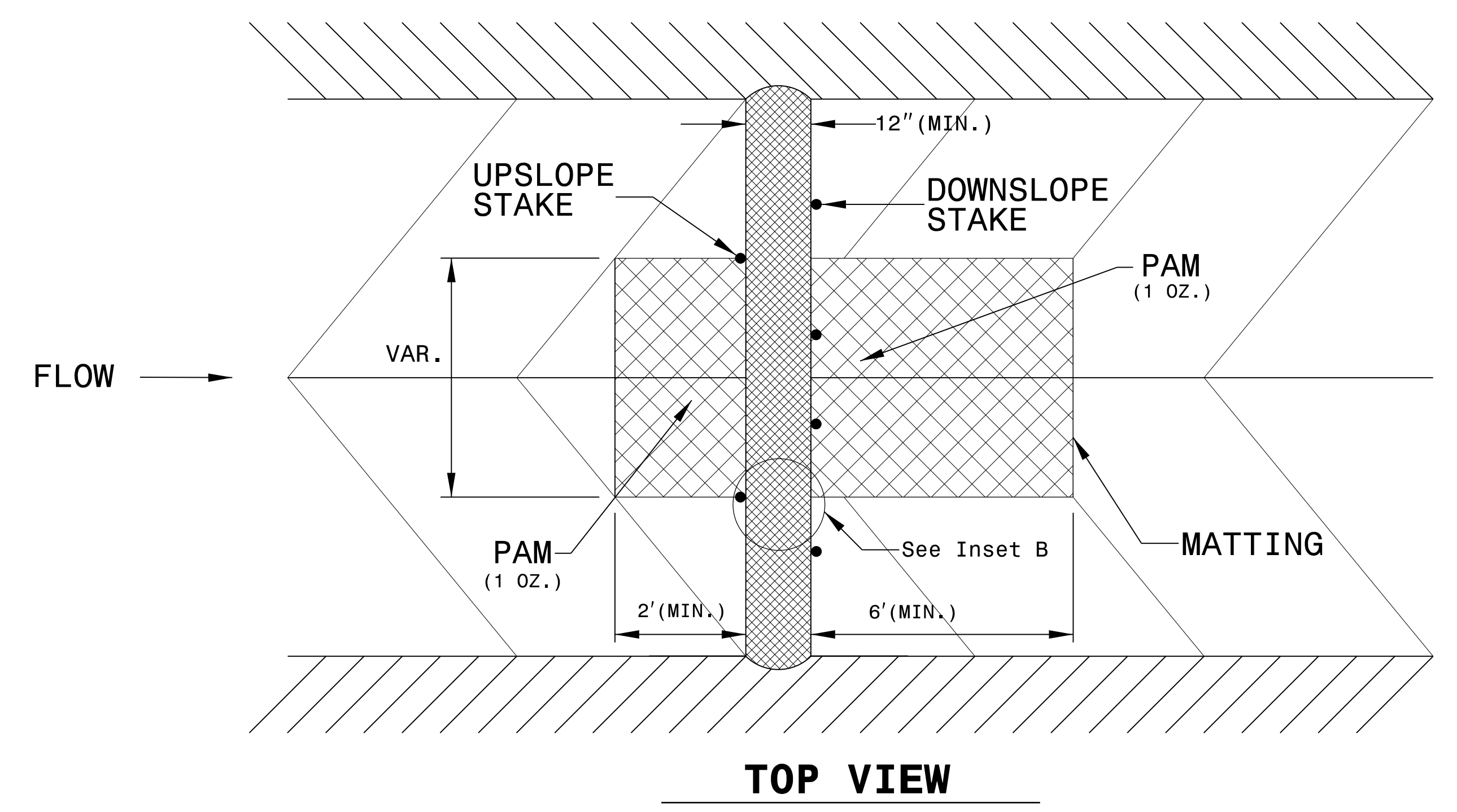
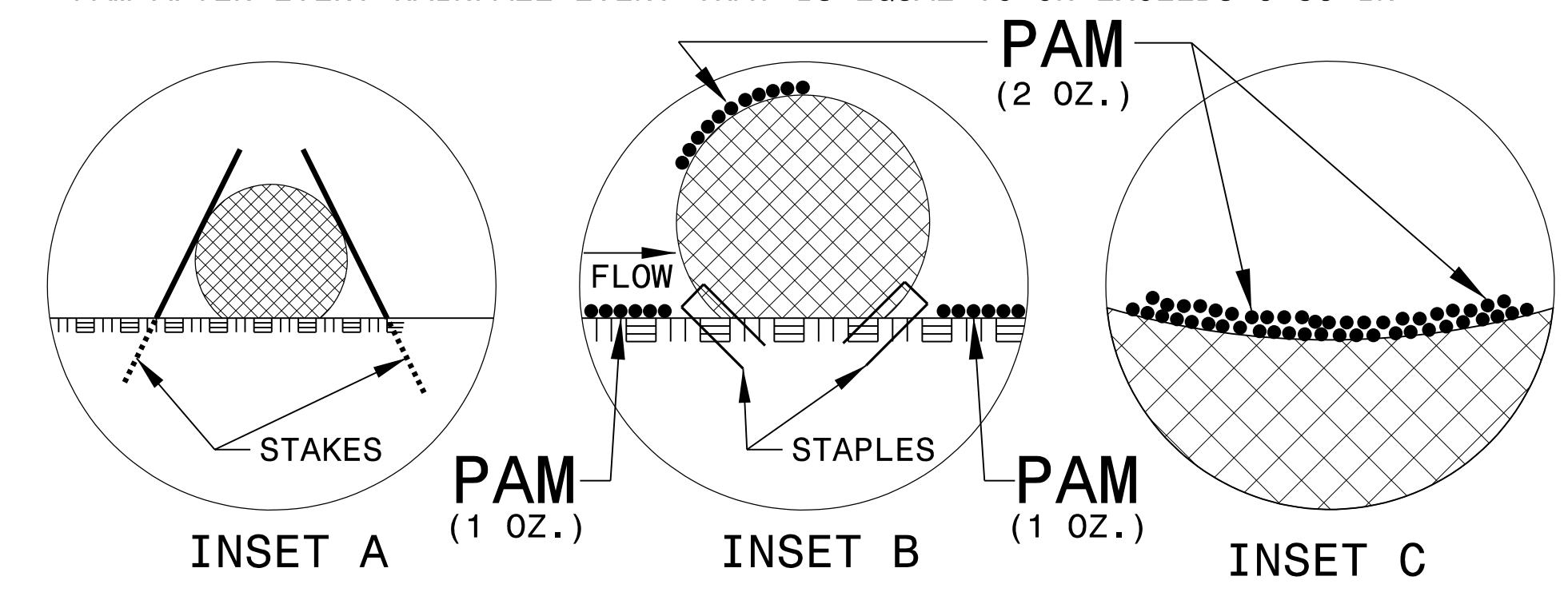
NOT TO SCALE

COIR FIBER WATTLE WITH POLYACRYLAMIDE (PAM) DETAIL



NOTES:

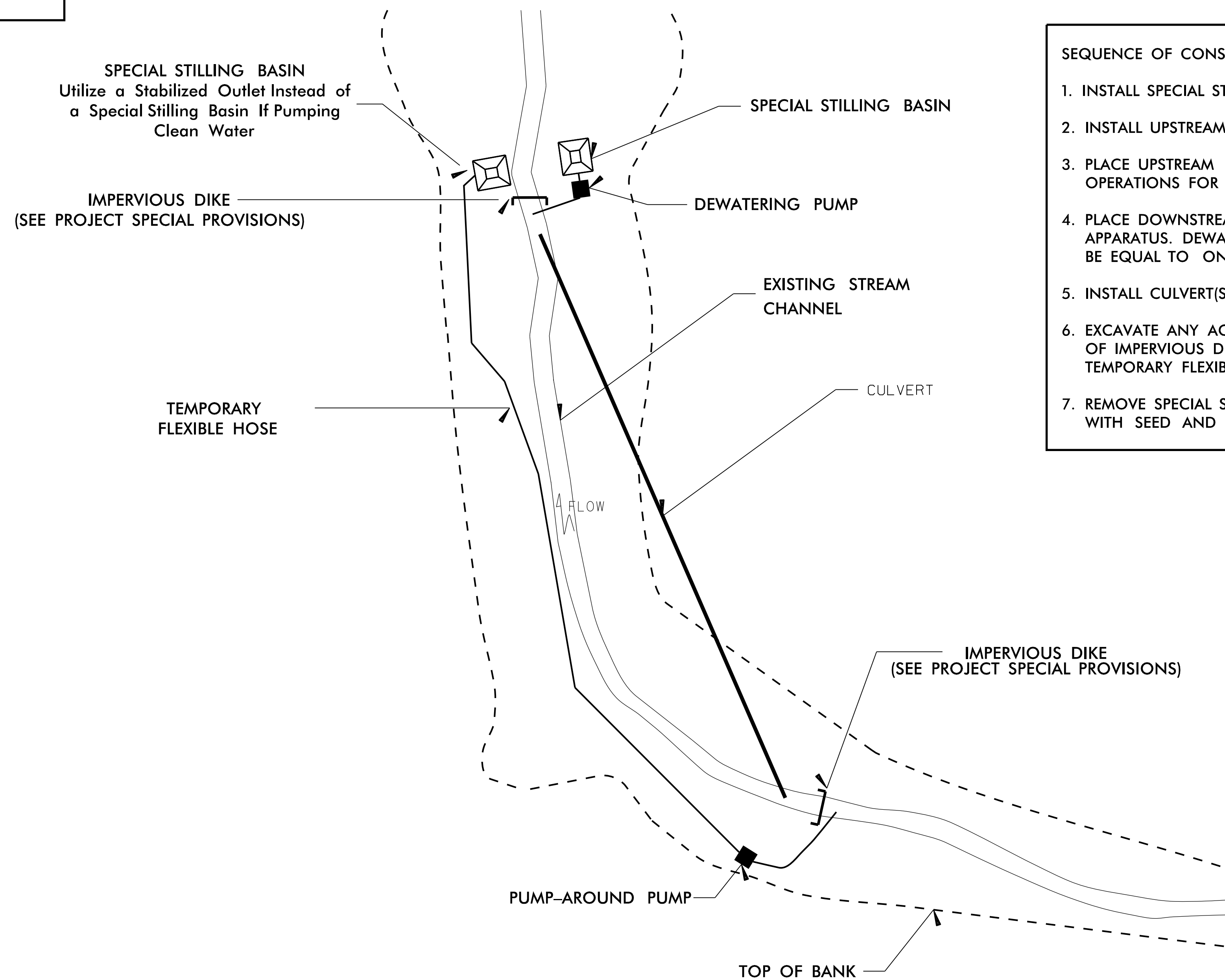
- USE MINIMUM 12 IN. DIAMETER COIR FIBER (COCONUT FIBER) WATTLE.
- USE 2 FT. WOODEN STAKES WITH A 2 IN. BY 2 IN. NOMINAL CROSS SECTION.
- ONLY INSTALL WATTLE(S) TO A HEIGHT IN DITCH SO FLOW WILL NOT WASH AROUND WATTLE AND SCOUR DITCH SLOPES AND AS DIRECTED.
- INSTALL A MINIMUM OF 2 UPSLOPE STAKES AND 4 DOWNSLOPE STAKES AT AN ANGLE TO WEDGE WATTLE TO BOTTOM OF DITCH.
- PROVIDE STAPLES MADE OF 0.125 IN. DIAMETER STEEL WIRE FORMED INTO A U SHAPE NOT LESS THAN 12" IN LENGTH.
- INSTALL STAPLES APPROXIMATELY EVERY 1 LINEAR FOOT ON BOTH SIDES OF WATTLE AND AT EACH END TO SECURE IT TO THE SOIL.
- INSTALL MATTING IN ACCORDANCE WITH SECTION 1631 OF THE STANDARD SPECIFICATIONS.
- PRIOR TO POLYACRYLAMIDE (PAM) APPLICATION, OBTAIN A SOIL SAMPLE FROM PROJECT LOCATION, AND FROM OFFSITE MATERIAL, AND ANALYZE FOR APPROPRIATE PAM FLOCCULANT TO BE APPLIED TO EACH WATTLE.
- INITIALLY APPLY 2 OUNCES OF ANIONIC OR NEUTRALLY CHARGED PAM OVER WATTLE WHERE WATER WILL FLOW AND 1 OUNCE OF PAM ON EACH SIDE OF WATTLE. REAPPLY PAM AFTER EVERY RAINFALL EVENT THAT IS EQUAL TO OR EXCEEDS 0.50 IN.



EXAMPLE OF PUMP-AROUND OPERATION

NOTES:

- 1) All excavation shall be performed in only dry or isolated areas of the work zone.
- 2) Impervious dikes are to be used to isolate work from stream flow when necessary.
- 3) Maintenance of stream flow operations shall be incidental to the work. This includes polyethylene sheeting, diversion pipes, pumps and hoses.
- 4) Pumps and hoses shall be of sufficient size to dewater the work area.



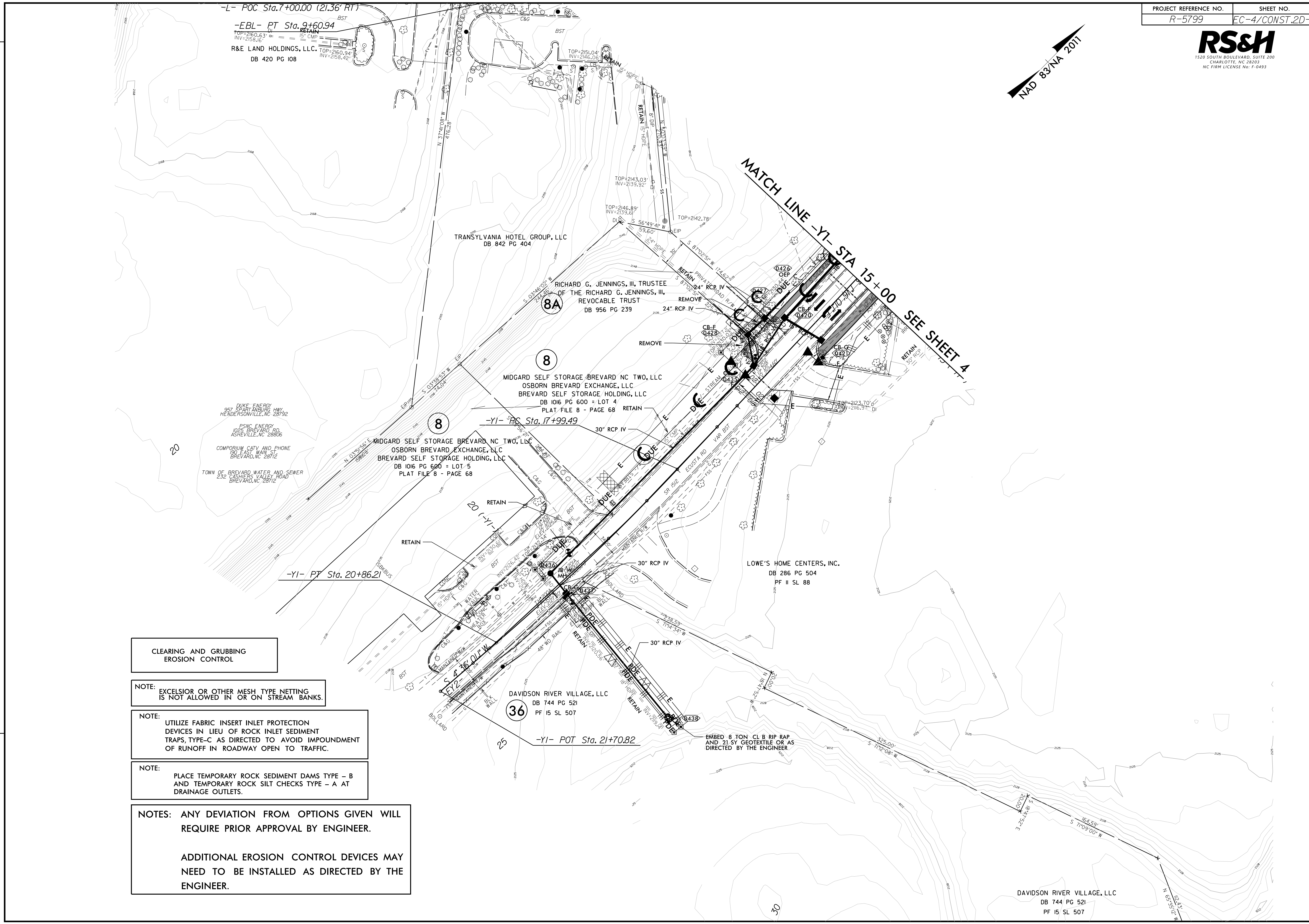
SEQUENCE OF CONSTRUCTION FOR TYPICAL WORK AREA

1. INSTALL SPECIAL STILLING BASIN(S).
2. INSTALL UPSTREAM PUMP AND TEMPORARY FLEXIBLE HOSE.
3. PLACE UPSTREAM IMPERVIOUS DIKE AND BEGIN PUMPING OPERATIONS FOR STREAM DIVERSION.
4. PLACE DOWNSTREAM IMPERVIOUS DIKE AND PUMPING APPARATUS. DEWATER ENTRAPPED AREA. AREA TO BE DEWATERED SHALL BE EQUAL TO ONE DAY'S WORK.
5. INSTALL CULVERT(S) IN ACCORDANCE WITH THE PLANS.
6. EXCAVATE ANY ACCUMULATED SILT AND DEWATER BEFORE REMOVAL OF IMPERVIOUS DIKES. REMOVE IMPERVIOUS DIKES, PUMPS, AND TEMPORARY FLEXIBLE HOSE. (DOWNSTREAM IMPERVIOUS DIKES FIRST).
7. REMOVE SPECIAL STILLING BASIN(S) AND BACKFILL. STABILIZE DISTURBED AREA WITH SEED AND MULCH.

DIVISION OF HIGHWAYS
STATE OF NORTH CAROLINA

SOIL STABILIZATION TIMEFRAMES

<i>SITE DESCRIPTION</i>	<i>STABILIZATION TIME</i>	<i>TIMEFRAME EXCEPTIONS</i>
PERIMETER DIKES, SWALES, DITCHES AND SLOPES	7 DAYS	NONE
HIGH QUALITY WATER (HQW) ZONES	7 DAYS	NONE
SLOPES STEEPER THAN 3:1	7 DAYS	IF SLOPES ARE 10' OR LESS IN LENGTH AND ARE NOT STEEPER THAN 2:1, 14 DAYS ARE ALLOWED.
SLOPES 3:1 OR FLATTER	14 DAYS	7 DAYS FOR SLOPES GREATER THAN 50' IN LENGTH.
ALL OTHER AREAS WITH SLOPES FLATTER THAN 4:1	14 DAYS	NONE, EXCEPT FOR PERIMETERS AND HQW ZONES.



-L- POC Sta.7+00.00 (21.36' RT)
 -EBL- PT Sta.9+60.94
 R&E LAND HOLDINGS, LLC.
 DB 420 PG 108

TRANSYLVANIA HOTEL GROUP, LLC
 DB 842 PG 404

RICHARD G. JENNINGS, III, TRUSTEE
 OF THE RICHARD G. JENNINGS, III,
 REVOCABLE TRUST
 DB 956 PG 239

MIDGARD SELF STORAGE-BREVARD NC TWO, LLC
 OSBORN BREVARD EXCHANGE, LLC
 BREVARD SELF STORAGE HOLDING, LLC
 DB 1016 PG 600 = LOT 4
 PLAT FILE 8 - PAGE 68

MIDGARD SELF STORAGE BREVARD NC TWO, LLC
 OSBORN BREVARD EXCHANGE, LLC
 BREVARD SELF STORAGE HOLDING, LLC
 DB 1016 PG 600 = LOT 5
 PLAT FILE 8 - PAGE 68

DUKE ENERGY
 957 SPARTANBURG HWY
 HENDERSONVILLE, NC 28792

PSNG ENERGY
 1024 BREVARD RD.
 ASHEVILLE, NC 28806

COMPORIUM CATV AND PHONE
 150 EAST MAIN
 BREVARD, NC 28712

TOWN OF BREVARD WATER AND SEWER
 232 CASHIERS VALLEY ROAD
 BREVARD, NC 28712

MATCH LINE -Y1- STA 15+00 SEE SHEET 4

-Y1- PT Sta. 20+86.21

DAVIDSON RIVER VILLAGE, LLC
 DB 744 PG 521
 PF 15 SL 507

-Y1- POT Sta. 21+70.82

EMBED 8 TON CL B RIP RAP
 AND 21 SY GEOTEXTILE OR AS
 DIRECTED BY THE ENGINEER

DAVIDSON RIVER VILLAGE, LLC
 DB 744 PG 521
 PF 15 SL 507

- CLEARING AND GRUBBING
 EROSION CONTROL**
- NOTE:** EXCELSIOR OR OTHER MESH TYPE NETTING IS NOT ALLOWED IN OR ON STREAM BANKS.
- NOTE:** UTILIZE FABRIC INSERT INLET PROTECTION DEVICES IN LIEU OF ROCK INLET SEDIMENT TRAPS, TYPE-C AS DIRECTED TO AVOID IMPOUNDMENT OF RUNOFF IN ROADWAY OPEN TO TRAFFIC.
- NOTE:** PLACE TEMPORARY ROCK SEDIMENT DAMS TYPE - B AND TEMPORARY ROCK SILT CHECKS TYPE - A AT DRAINAGE OUTLETS.
- NOTES:** ANY DEVIATION FROM OPTIONS GIVEN WILL REQUIRE PRIOR APPROVAL BY ENGINEER.
- ADDITIONAL EROSION CONTROL DEVICES MAY NEED TO BE INSTALLED AS DIRECTED BY THE ENGINEER.

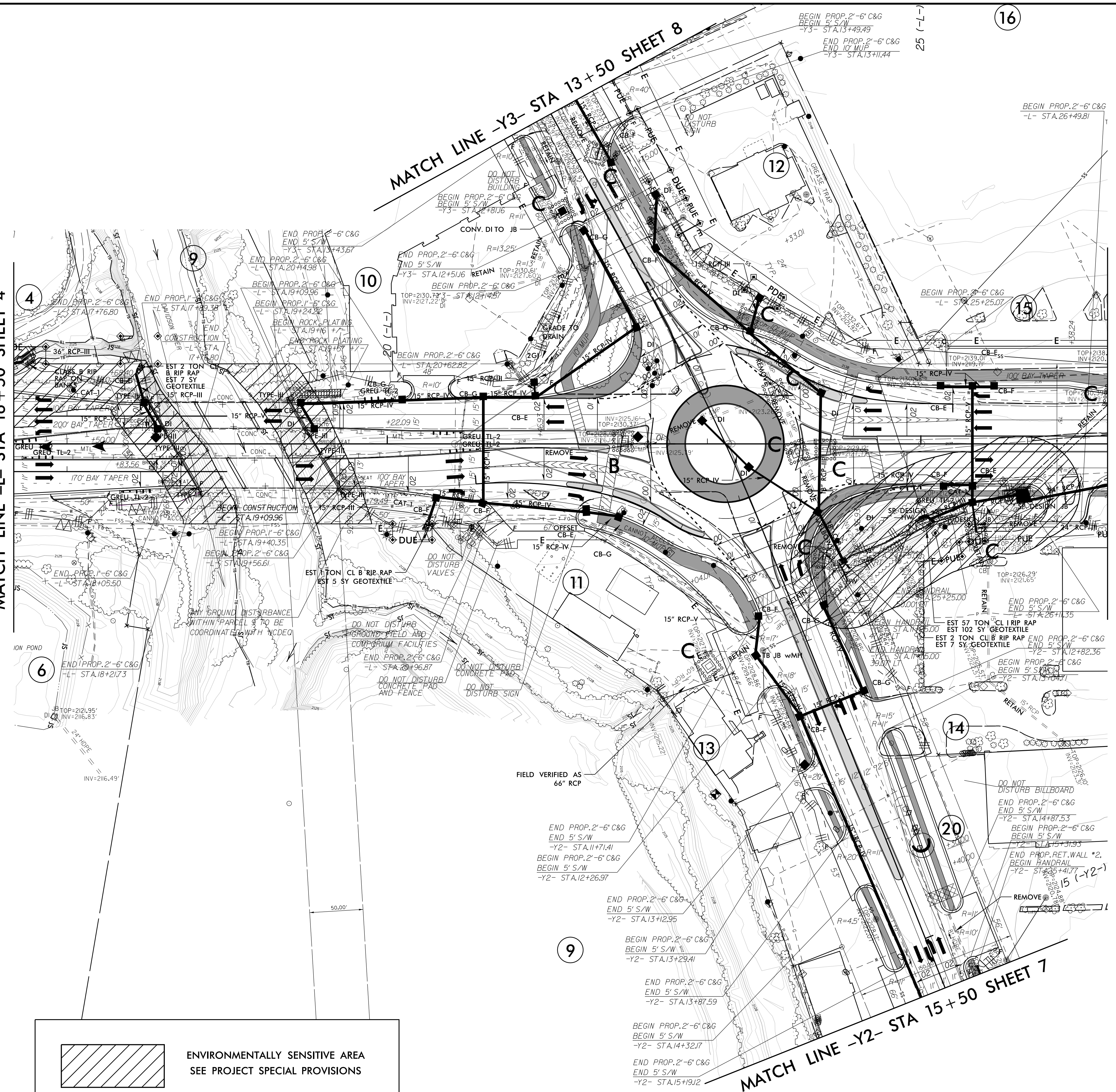


MATCH LINE -L- STA 16+50 SHEET 4

MATCH LINE -L- STA 26+75 SHEET 6

MATCH LINE -Y3- STA 13+50 SHEET 8

MATCH LINE -Y2- STA 15+50 SHEET 7



ENVIRONMENTALLY SENSITIVE AREA
SEE PROJECT SPECIAL PROVISIONS

CLEARING AND GRUBBING
EROSION CONTROL FOR
CONSTRUCTION SHEET 5

NOTE: EXCELSIOR OR OTHER MESH TYPE NETTING
IS NOT ALLOWED IN OR ON STREAM BANKS.

NOTE: UTILIZE FABRIC INSERT INLET PROTECTION
DEVICES IN LIEU OF ROCK INLET SEDIMENT
TRAPS, TYPE-C AS DIRECTED TO AVOID IMPOUNDMENT
OF RUNOFF IN ROADWAY OPEN TO TRAFFIC.

NOTE: PLACE TEMPORARY ROCK SEDIMENT DAMS TYPE - B
AND TEMPORARY ROCK SILT CHECKS TYPE - A AT
DRAINAGE OUTLETS.

NOTE: UTILIZE TEMPORARY SEDIMENT BASIN OR SPECIAL STILLING
BASIN(S) AS STILLING BASIN WHERE APPLICABLE.

NOTES: ANY DEVIATION FROM OPTIONS GIVEN WILL
REQUIRE PRIOR APPROVAL BY ENGINEER.

ADDITIONAL EROSION CONTROL DEVICES MAY
NEED TO BE INSTALLED AS DIRECTED BY THE
ENGINEER.

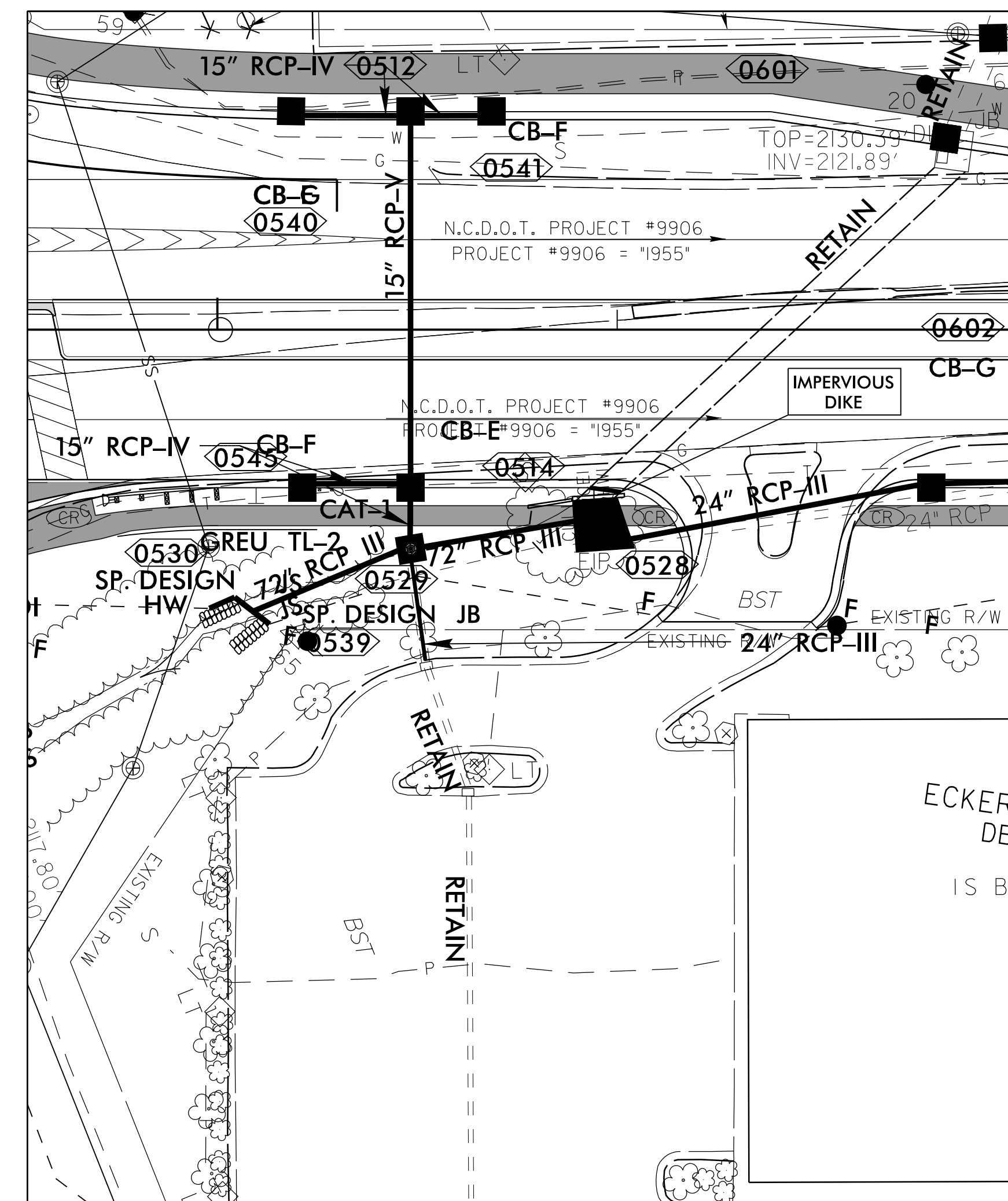
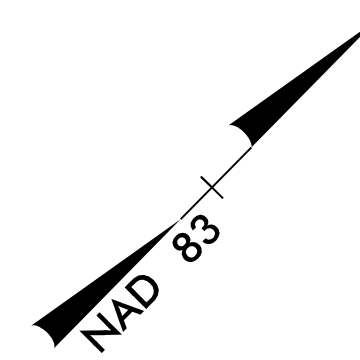
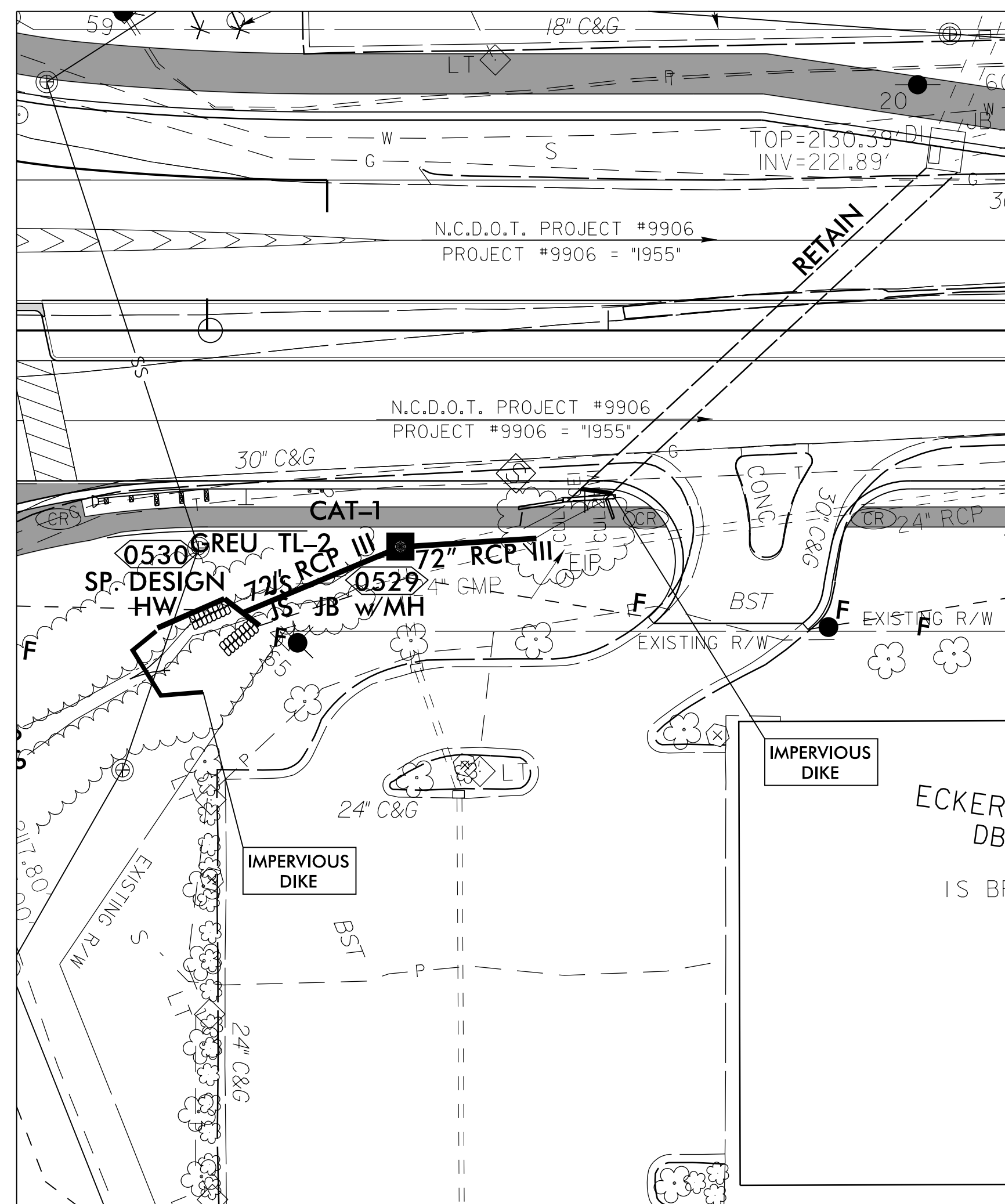
8.17.19.99
26-APR-2023 10:06
R:\E:\M\Projects\19-06-Design\Plan_Sheets\R-5799_EC-C&G_EC-6.dgn
\$\$\$\$UNRECORDED\$\$\$\$

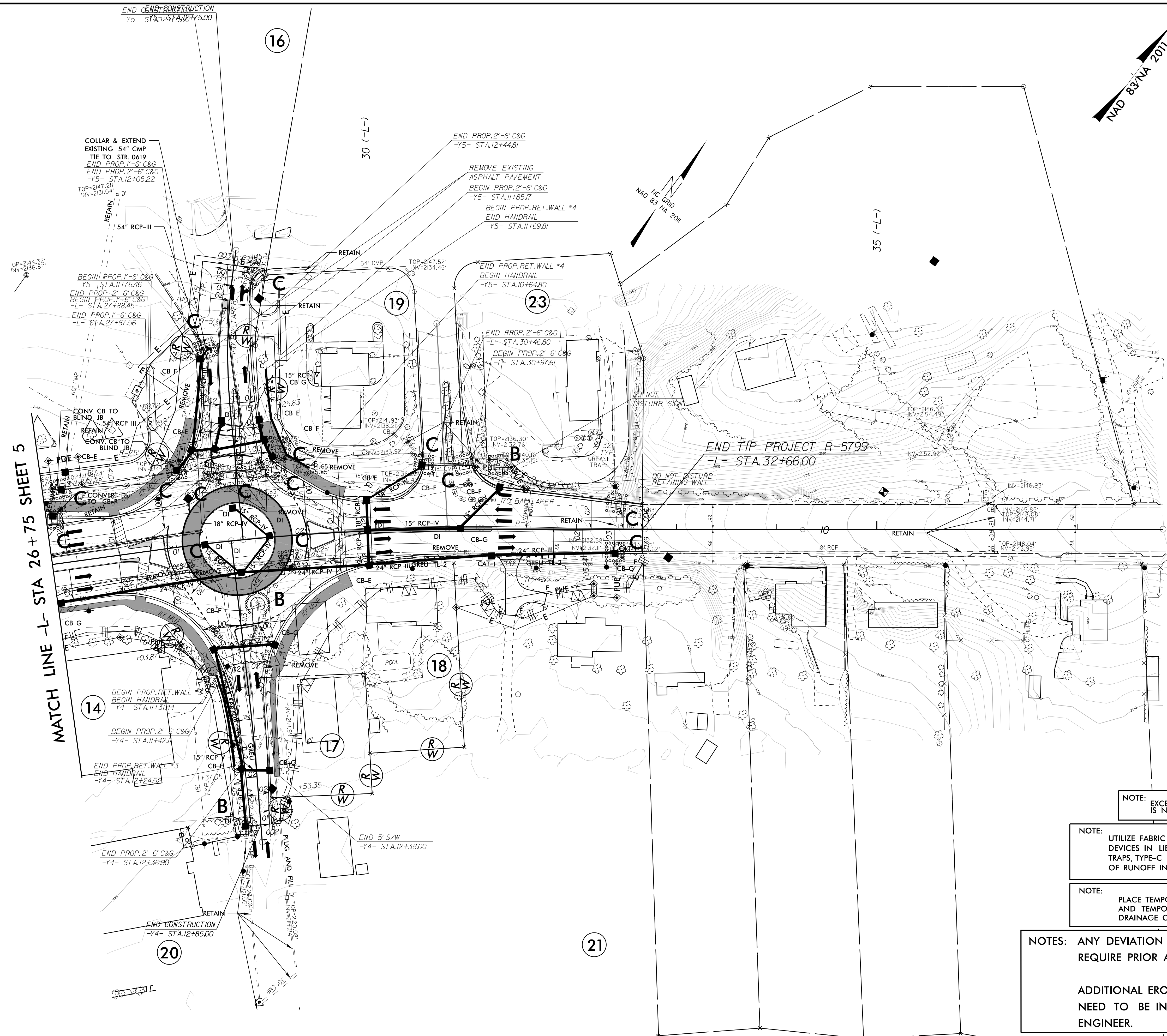
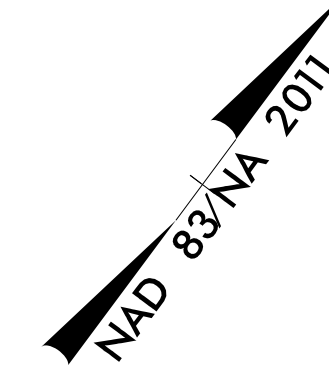
PIPE INSTALLATION SEQUENCE 1 STA. 25+50 -L-

1. UTILIZE SPECIAL STILLING BASIN(S) DURING CULVERT CONSTRUCTION AS NEEDED.
2. INSTALL UPSTREAM PUMP AND TEMPORARY FLEXIBLE HOSE.
3. PLACE UPSTREAM IMPERVIOUS DIKE INSIDE THE OUTLET OF THE EXISTING BOX CULVERT. BEGIN PUMPING OPERATIONS TO MAINTAIN DAILY STREAM FLOW.
4. INSTALL DOWNSTREAM IMPERVIOUS DIKE AND PUMPING APPARATUS. DEWATER ENTRAPPED AREA AS NEEDED. AREA TO BE DEWATERED SHALL BE EQUAL TO ONE DAY'S WORK.
5. INSTALL HW 0530, THE PROPOSED BANK STABILIZATION, JB 0529, AND ALL 72" RCP-III.
6. ONCE INSTALLATION IS COMPLETE AND SLOPES ARE STABILIZED, EXCAVATE ANY ACCUMULATED SILT AND DEWATER BEFORE REMOVAL OF IMPERVIOUS DIKE. REMOVE THE DOWNSTREAM IMPERVIOUS DIKE, PUMP(S), AND TEMPORARY FLEXIBLE HOSE. RETAIN UPSTREAM PUMP(S) AND TEMPORARY FLEXIBLE HOSE.

PIPE INSTALLATION SEQUENCE 2 STA. 25+50 -L-

1. UTILIZE SPECIAL STILLING BASIN(S) DURING CULVERT CONSTRUCTION AS NEEDED.
2. RELOCATE THE FLEXIBLE HOSE DIRECTLY INTO THE NEWLY CONSTRUCTED 72" RCP-III AS NECESSARY FOR CONSTRUCTION OF JB 0528.
3. INSTALL JB 0528.
4. ONCE INSTALLATION IS COMPLETE, EXCAVATE ANY ACCUMULATED SILT AND DEWATER BEFORE REMOVAL OF IMPERVIOUS DIKE.
5. REMOVE IMPERVIOUS DIKE, ALLOWING FULL FLOW THROUGH THE BOX CULVERT. INSTALL REMAINING PIPES IN ACCORDANCE WITH THE PLANS.
6. REMOVE ANY SPECIAL STILLING BASIN(S) UTILIZED DURING CONSTRUCTION AND BACKFILL. STABILIZE DISTURBED AREA WITH SEED AND MULCH.





MATCH LINE -L- STA 26 + 75 SHEET 5

CLEARING AND GRUBBING
EROSION CONTROL FOR
CONSTRUCTION SHEET 6

NOTE: EXCESSIOR OR OTHER MESH TYPE NETTING IS NOT ALLOWED IN OR ON STREAM BANKS.

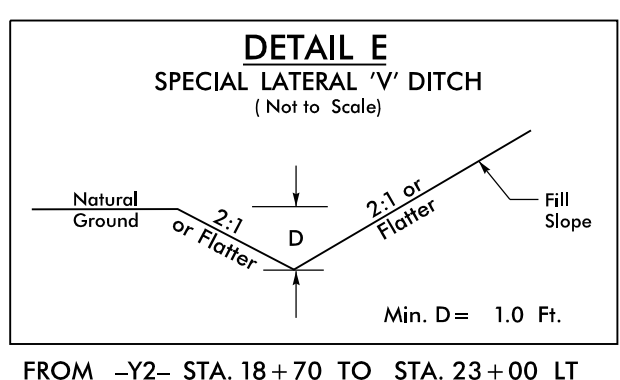
NOTE: UTILIZE FABRIC INSERT INLET PROTECTION DEVICES IN LIEU OF ROCK INLET SEDIMENT TRAPS, TYPE-C AS DIRECTED TO AVOID IMPOUNDMENT OF RUNOFF IN ROADWAY OPEN TO TRAFFIC.

NOTE: PLACE TEMPORARY ROCK SEDIMENT DAMS TYPE - B AND TEMPORARY ROCK SILT CHECKS TYPE - A AT DRAINAGE OUTLETS.

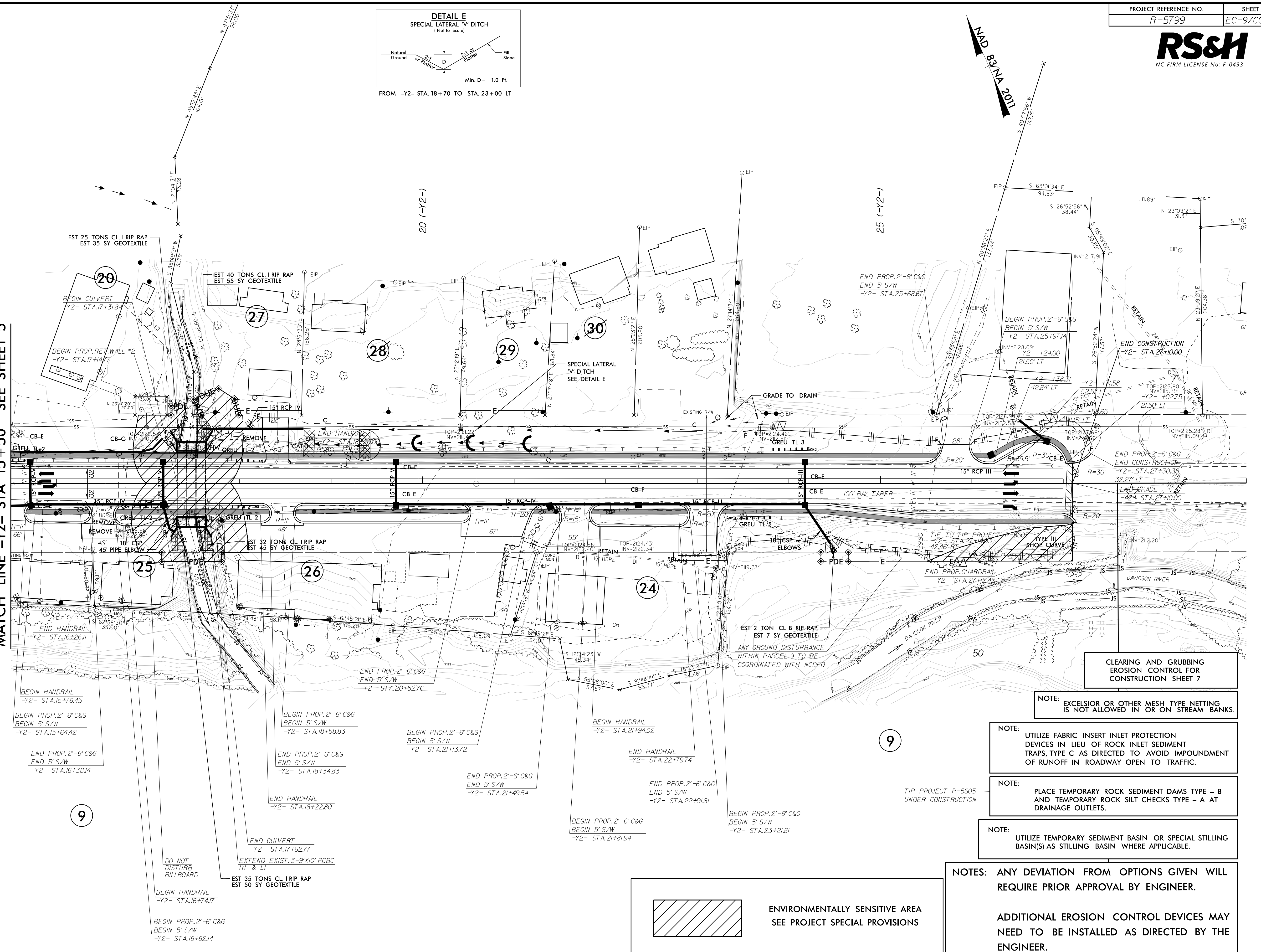
NOTES: ANY DEVIATION FROM OPTIONS GIVEN WILL REQUIRE PRIOR APPROVAL BY ENGINEER.

ADDITIONAL EROSION CONTROL DEVICES MAY NEED TO BE INSTALLED AS DIRECTED BY THE ENGINEER.

8.17.799
R-5799-2023-10-06-Design\Plan_Sheets\R-5799_EC-C&G_EC-8.dgn
PLANNING & DESIGN
ENGINEERING



MATCH LINE -Y2- STA 15+50 SEE SHEET 5



CLEARING AND GRUBBING EROSION CONTROL FOR CONSTRUCTION SHEET 7

NOTE: EXCELSIOR OR OTHER MESH TYPE NETTING IS NOT ALLOWED IN OR ON STREAM BANKS.

NOTE: UTILIZE FABRIC INSERT INLET PROTECTION DEVICES IN LIEU OF ROCK INLET SEDIMENT TRAPS, TYPE-C AS DIRECTED TO AVOID IMPOUNDMENT OF RUNOFF IN ROADWAY OPEN TO TRAFFIC.

NOTE: PLACE TEMPORARY ROCK SEDIMENT DAMS TYPE - B AND TEMPORARY ROCK SILT CHECKS TYPE - A AT DRAINAGE OUTLETS.

NOTE: UTILIZE TEMPORARY SEDIMENT BASIN OR SPECIAL STILLING BASIN(S) AS STILLING BASIN WHERE APPLICABLE.

NOTES: ANY DEVIATION FROM OPTIONS GIVEN WILL REQUIRE PRIOR APPROVAL BY ENGINEER.

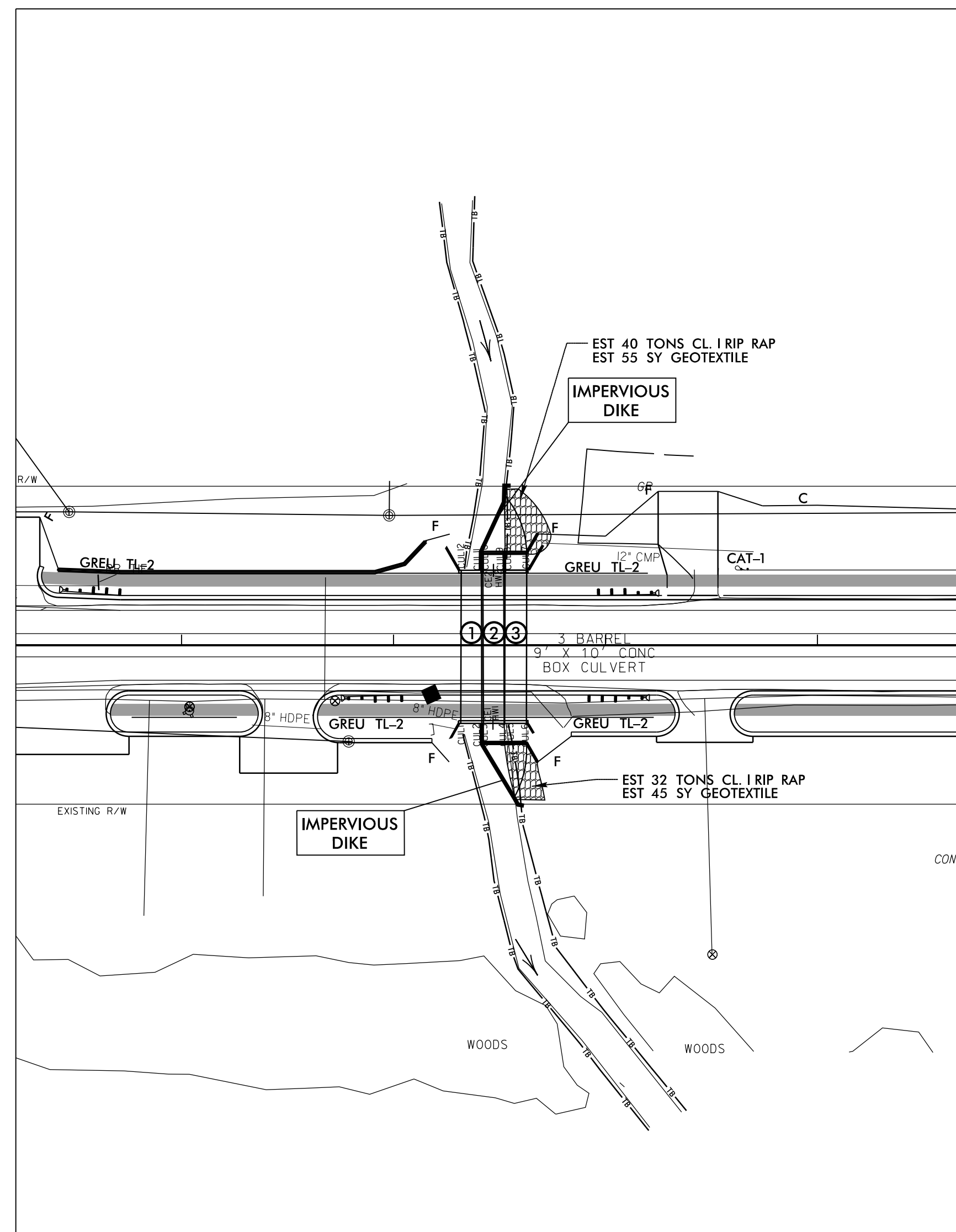
ADDITIONAL EROSION CONTROL DEVICES MAY NEED TO BE INSTALLED AS DIRECTED BY THE ENGINEER.

 ENVIRONMENTALLY SENSITIVE AREA SEE PROJECT SPECIAL PROVISIONS

8.17.19 26-APR-2023 10:06 R:\E:\MISC\Projects\2023\10-06-Design\Plan_Sheets\R-5799_EC-C&G_EC-9.dgn

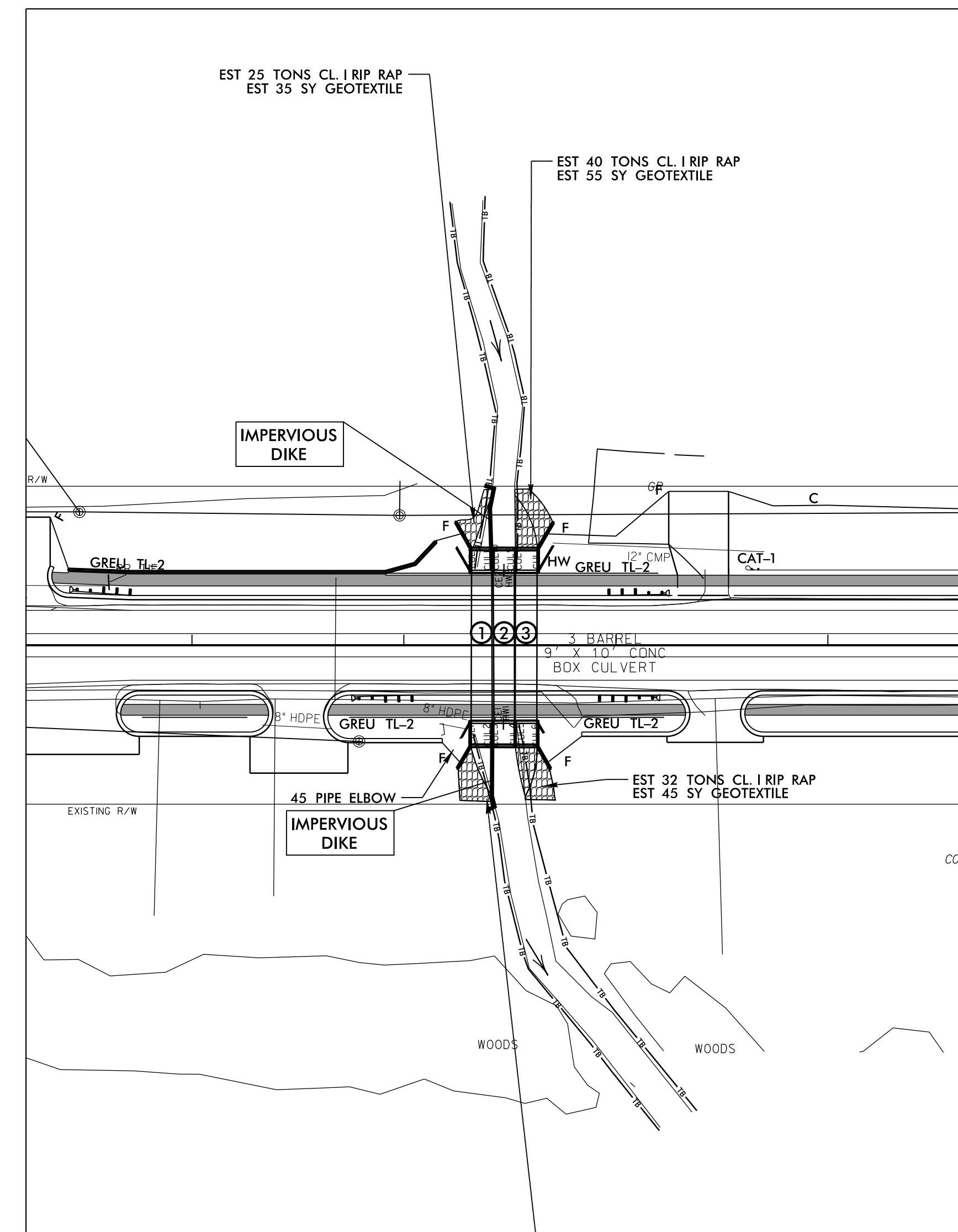
CULVERT CONSTRUCTION SEQUENCE 1 STA. 17+50 -Y2-

1. UTILIZE SPECIAL STILLING BASIN(S) DURING CULVERT CONSTRUCTION AS NEEDED.
2. INSTALL IMPERVIOUS DIKES AT INLET AND OUTLET OF EXISTING TRIPLE 9'X10' RCBC, DIVERTING FLOW THROUGH BARREL 1.
3. CONSTRUCT UPSTREAM EXTENSION FOR BARREL 2 & BARREL 3. CONSTRUCT HEADWALL AND STABILIZE SLOPES. INSTALL PROPOSED RIP RAP.
4. CONSTRUCT DOWNSTREAM EXTENSION FOR BARREL 2 & BARREL 3. CONSTRUCT HEADWALL AND STABILIZE SLOPES. INSTALL PROPOSED RIP RAP.
5. EXCAVATE ANY ACCUMULATED SILT AND DEWATER BEFORE REMOVAL AND RELOCATION OF IMPERVIOUS DIKE. STABILIZE DISTURBED AREA AND BACKFILL ACCORDINGLY.



CULVERT CONSTRUCTION SEQUENCE 2 STA. 17+50 -Y2-

1. UTILIZE SPECIAL STILLING BASIN(S) DURING CULVERT CONSTRUCTION AS NEEDED.
2. RELOCATE THE UPSTREAM AND DOWNSTREAM IMPERVIOUS DIKES TO DIVERT FLOW THROUGH BARREL 2 & BARREL 3.
3. CONSTRUCT UPSTREAM EXTENSION FOR BARREL 1. CONSTRUCT HEADWALL AND STABILIZE SLOPES. INSTALL PROPOSED RIP RAP.
4. CONSTRUCT DOWNSTREAM EXTENSION FOR BARREL 1. CONSTRUCT HEADWALL AND STABILIZE SLOPES. INSTALL PROPOSED RIP RAP.
5. EXCAVATE ANY ACCUMULATED SILT AND DEWATER BEFORE REMOVAL OF IMPERVIOUS DIKES. STABILIZE DISTURBED AREA AND BACKFILL ACCORDINGLY.





TOP=2160.63' DI
 INV=2158.16'
 R&E LAND HOLDINGS, LLC.
 DB 420 PG 108

TOP=2160.94'
 INV=2158.42'
 RETAIN

TRANSLYVANIA HOTEL GROUP, LLC
 DB 842 PG 404

8A
 RICHARD G. JENNINGS, III, TRUSTEE
 OF THE RICHARD G. JENNINGS, III,
 REVOCABLE TRUST
 DB 956 PG 239

8
 MIDGARD SELF STORAGE BREVARD NC TWO, LLC
 OSBORN BREVARD EXCHANGE, LLC
 BREVARD SELF STORAGE HOLDING, LLC
 DB 1016 PG 600 = LOT 4
 PLAT FILE 8 - PAGE 68

8
 MIDGARD SELF STORAGE BREVARD NC TWO, LLC
 OSBORN BREVARD EXCHANGE, LLC
 BREVARD SELF STORAGE HOLDING, LLC
 DB 1016 PG 600 = LOT 5
 PLAT FILE 8 - PAGE 68

DUKE ENERGY
 957 SPARTANBURGH HWY
 HENDERSONVILLE, NC 28792

PSNG ENERGY
 1024 BREVARD RD.
 ASHEVILLE, NC 28806

COMPOSIUM CATV AND PHONE
 150 EAST MAIN ST
 BREVARD, NC 28712

TOWN OF BREVARD WATER AND SEWER
 232 CASHIERS VALLEY ROAD
 BREVARD, NC 28712

MATCH LINE -Y1- STA 15+00 SEE SHEET 4

LOWE'S HOME CENTERS, INC.
 DB 286 PG 504
 PF II SL 88

36
 DAVIDSON RIVER VILLAGE, LLC
 DB 744 PG 521
 PF 15 SL 507

PLACE MATTING FOR EROSION CONTROL
 ON SLOPE AS WORK ALLOWS.

NOTE: EXCELSIOR OR OTHER MESH TYPE NETTING
 IS NOT ALLOWED IN OR ON STREAM BANKS.

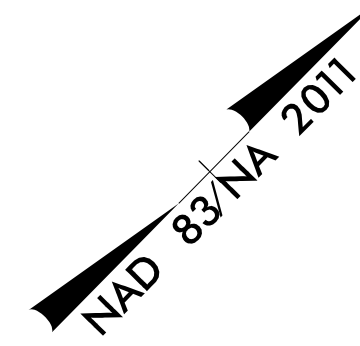
NOTE: UTILIZE FABRIC INSERT INLET PROTECTION
 DEVICES IN LIEU OF ROCK INLET SEDIMENT
 TRAPS, TYPE-C AS DIRECTED TO AVOID IMPOUNDMENT
 OF RUNOFF IN ROADWAY OPEN TO TRAFFIC.

NOTES: ANY DEVIATION FROM OPTIONS GIVEN WILL
 REQUIRE PRIOR APPROVAL BY ENGINEER.

ADDITIONAL EROSION CONTROL DEVICES MAY
 NEED TO BE INSTALLED AS DIRECTED BY THE
 ENGINEER.

3+25.14+81 S
 164.59'
 S 71°03'00" W

DAVIDSON RIVER VILLAGE, LLC
 DB 744 PG 521
 PF 15 SL 507

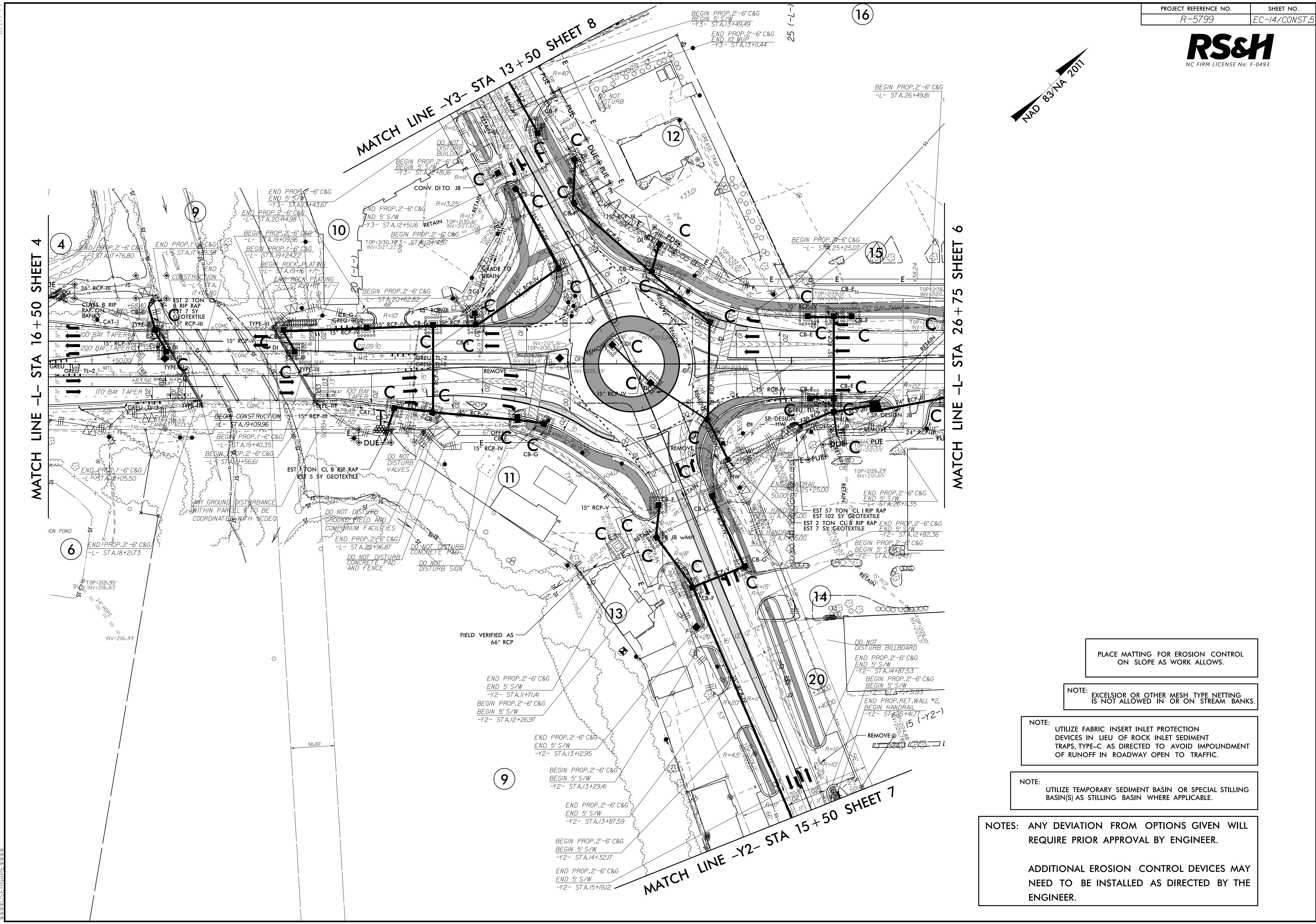


MATCH LINE -L- STA 16+50 SHEET 4

MATCH LINE -L- STA 26+75 SHEET 6

MATCH LINE -Y3- STA 13+50 SHEET 8

MATCH LINE -Y2- STA 15+50 SHEET 7



PLACE MATTING FOR EROSION CONTROL ON SLOPE AS WORK ALLOWS.

NOTE: EXCELSIOR OR OTHER MESH TYPE NETTING IS NOT ALLOWED IN OR ON STREAM BANKS.

NOTE: UTILIZE FABRIC INSERT INLET PROTECTION DEVICES IN LIEU OF ROCK INLET SEDIMENT TRAPS, TYPE-C AS DIRECTED TO AVOID IMPOUNDMENT OF RUNOFF IN ROADWAY OPEN TO TRAFFIC.

NOTE: UTILIZE TEMPORARY SEDIMENT BASIN OR SPECIAL STILLING BASIN(S) AS STILLING BASIN WHERE APPLICABLE.

NOTES: ANY DEVIATION FROM OPTIONS GIVEN WILL REQUIRE PRIOR APPROVAL BY ENGINEER.

ADDITIONAL EROSION CONTROL DEVICES MAY NEED TO BE INSTALLED AS DIRECTED BY THE ENGINEER.

26-APR-2023 10:06 R:\E:\M\TRN\Plan_Sheets\R-5799_EC_FINAL_EC-14.dgn

