

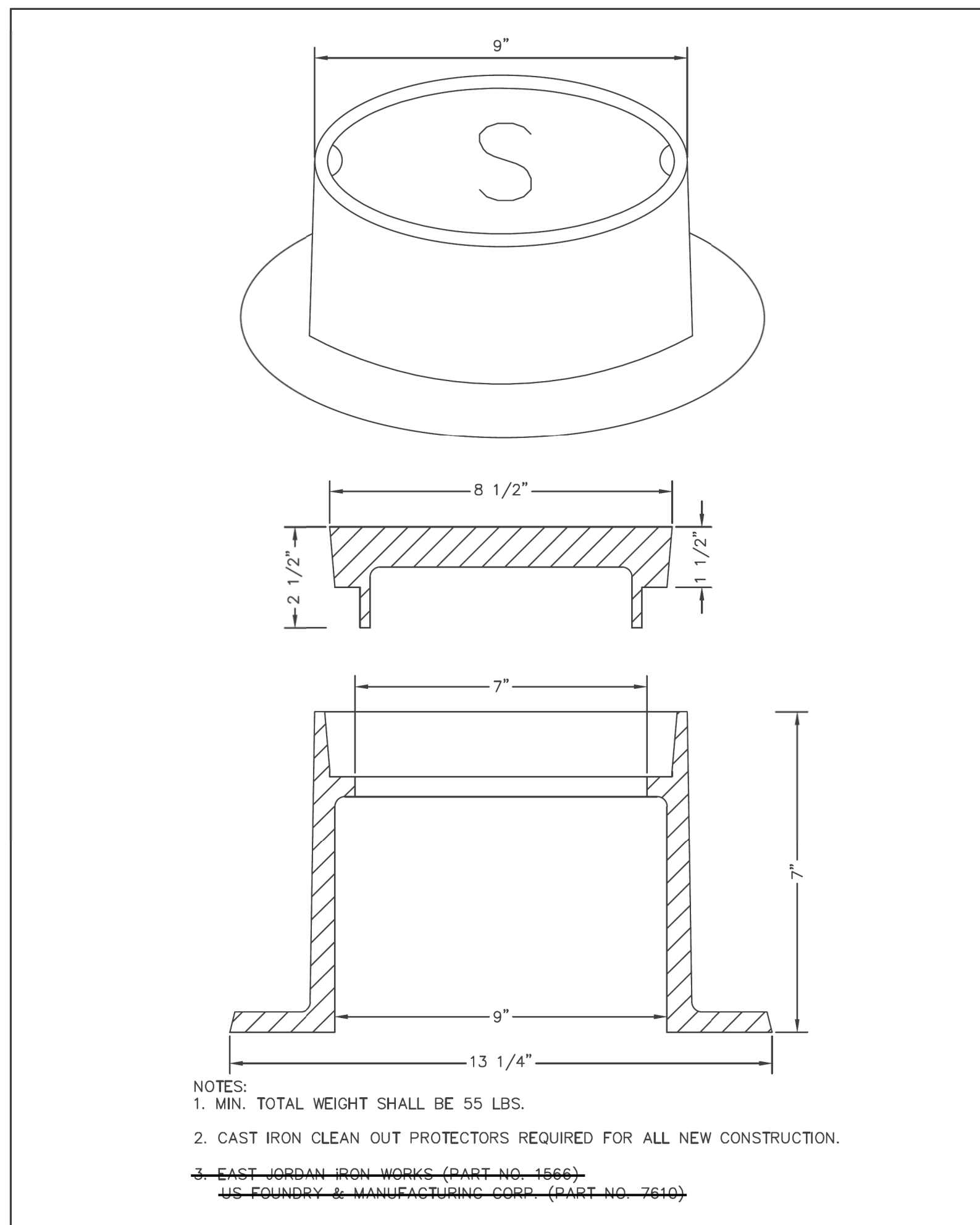
PROJECT TYPICAL DETAILS



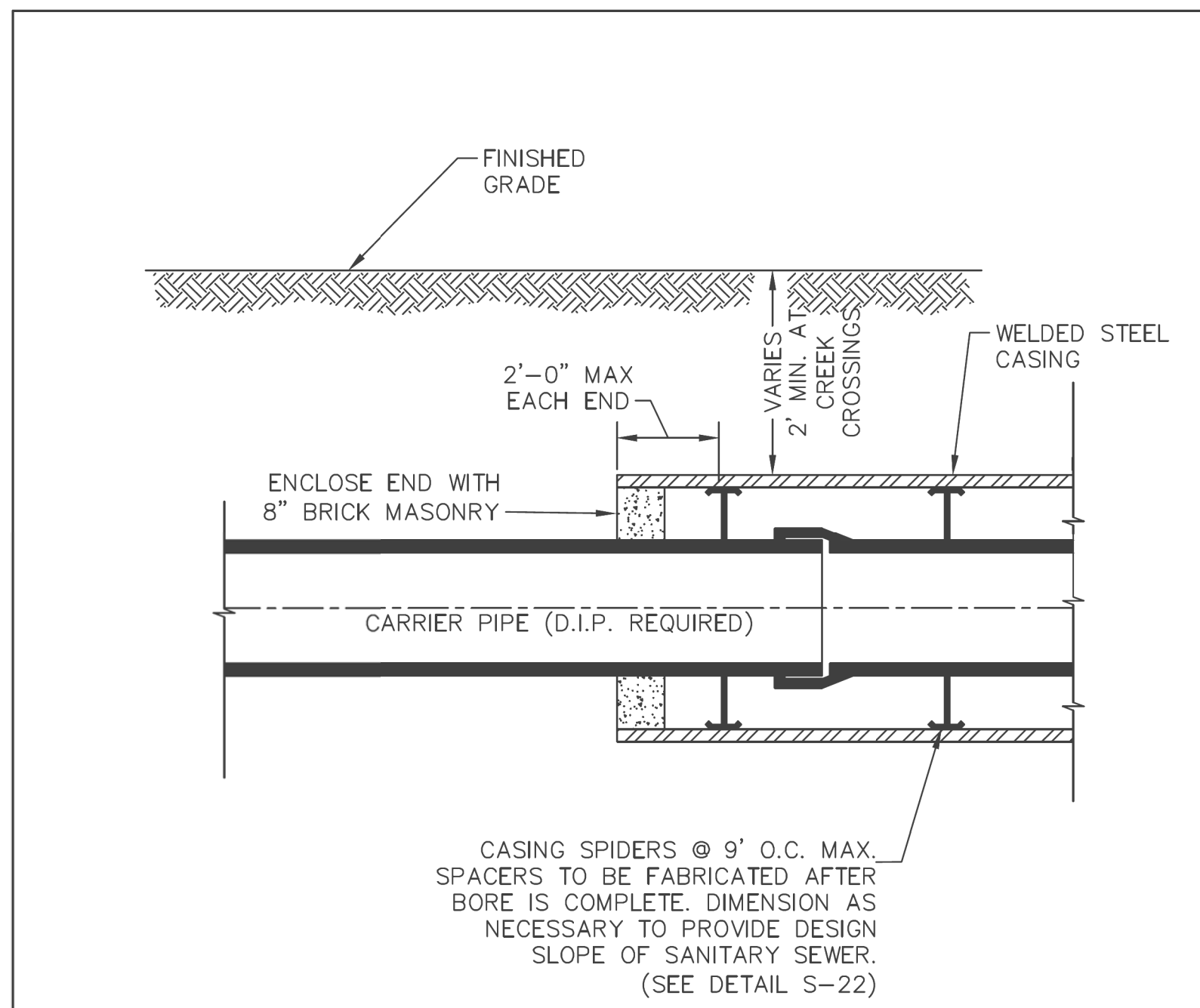
Stantec Consulting Services Inc.
 801 Jones Franklin Road
 Suite 300
 Raleigh, NC 27606
 Tel. (919) 851-6866
 Fax. (919) 851-7024
 www.stantec.com
 License No. F-0672

PROJECT REFERENCE NO. R-3833C	SHEET NO. UC-03I
DESIGNED BY: MCM	
DRAWN BY: RGR	
CHECKED BY: MCM	
APPROVED BY:	
REVISER:	
NORTH CAROLINA DEPARTMENT OF TRANSPORTATION	UTILITY CONSTRUCTION PLANS ONLY
UTILITIES ENGINEERING SEC. PHONE: (919) 707-6690 FAX: (919) 250-4151	
DOCUMENT NOT CONSIDERED FINAL UNLESS ALL SIGNATURES COMPLETED	

UTILITY CONSTRUCTION

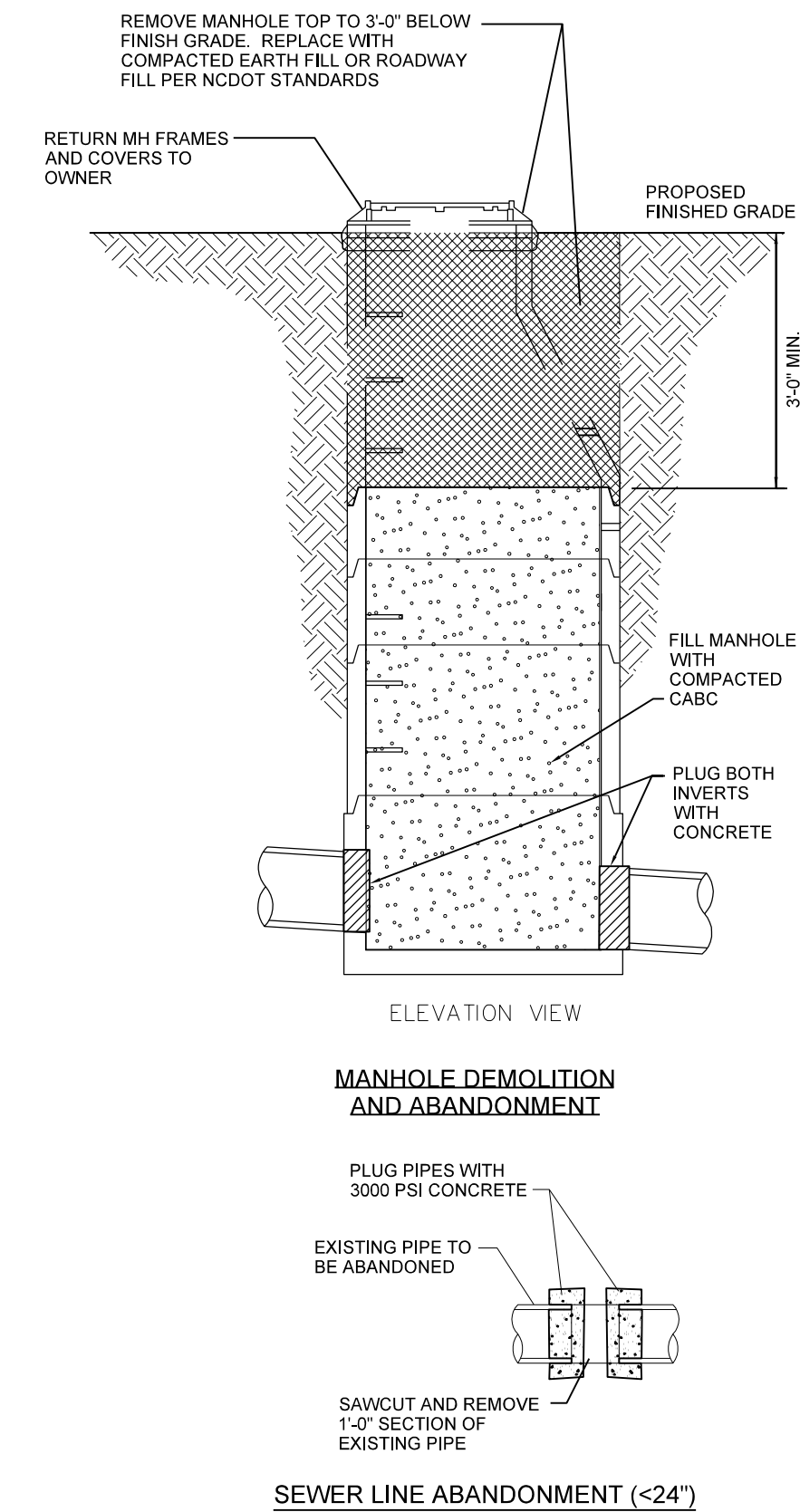


TOWN OF MOORESVILLE STANDARD DETAIL	SEWER SYSTEMS CLEAN OUT PROTECTOR	January 2009 Revision 1	
		NTS	S - 17.0



- NOTES:**
- CASING SHALL MEET THE REQUIREMENTS OF N.C. DEPARTMENT OF TRANSPORTATION, RAILROAD OR OTHER APPLICABLE REGULATORY AGENCY.
 - CASING SPIDERS TO BE APPROVED BY DIRECTOR OF ENGINEERING.
 - ALL CARRIER PIPE SHALL BE RESTRAINED JOINT D.I.P.

TOWN OF MOORESVILLE STANDARD DETAIL	SEWER SYSTEMS CASING	March 2013 Revision 2	
		NTS	S - 21.0



8/23/2023 U:\Utilities\Engineering\UC\Proj\NR3833C-ut.tbl_UC03I.dgn