

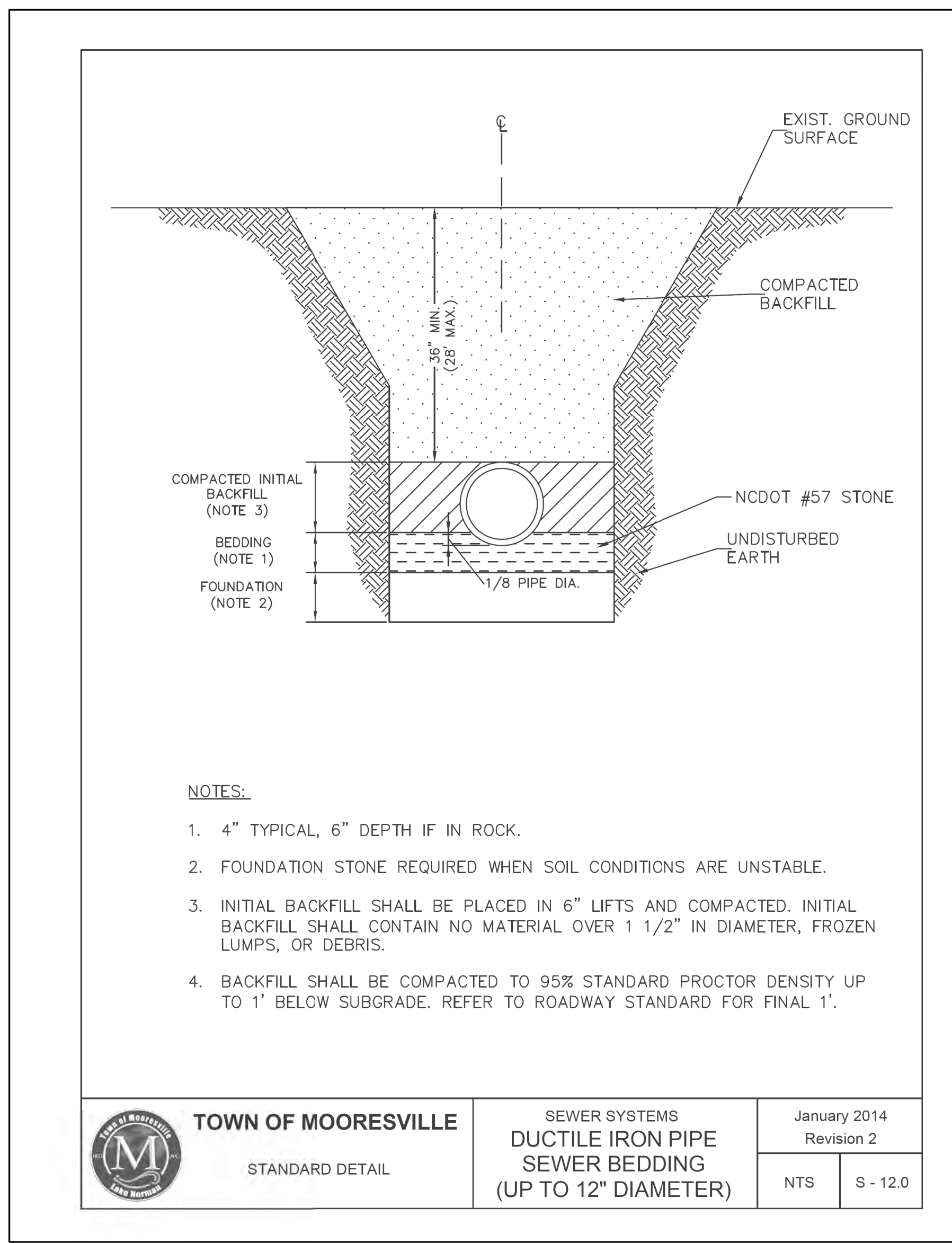
# PROJECT TYPICAL DETAILS



PROJECT REFERENCE NO.	SHEET NO.
R-3833C	UC-03H
DESIGNED BY: MCM	
DRAWN BY: RGR	
CHECKED BY: MCM	
APPROVED BY:	
REVISER:	
NORTH CAROLINA DEPARTMENT OF TRANSPORTATION UTILITIES ENGINEERING SEC. PHONE: (919) 707-6690 FAX: (919) 250-4151	
UTILITY CONSTRUCTION PLANS ONLY	
<b>DOCUMENT NOT CONSIDERED FINAL UNLESS ALL SIGNATURES COMPLETED</b>	

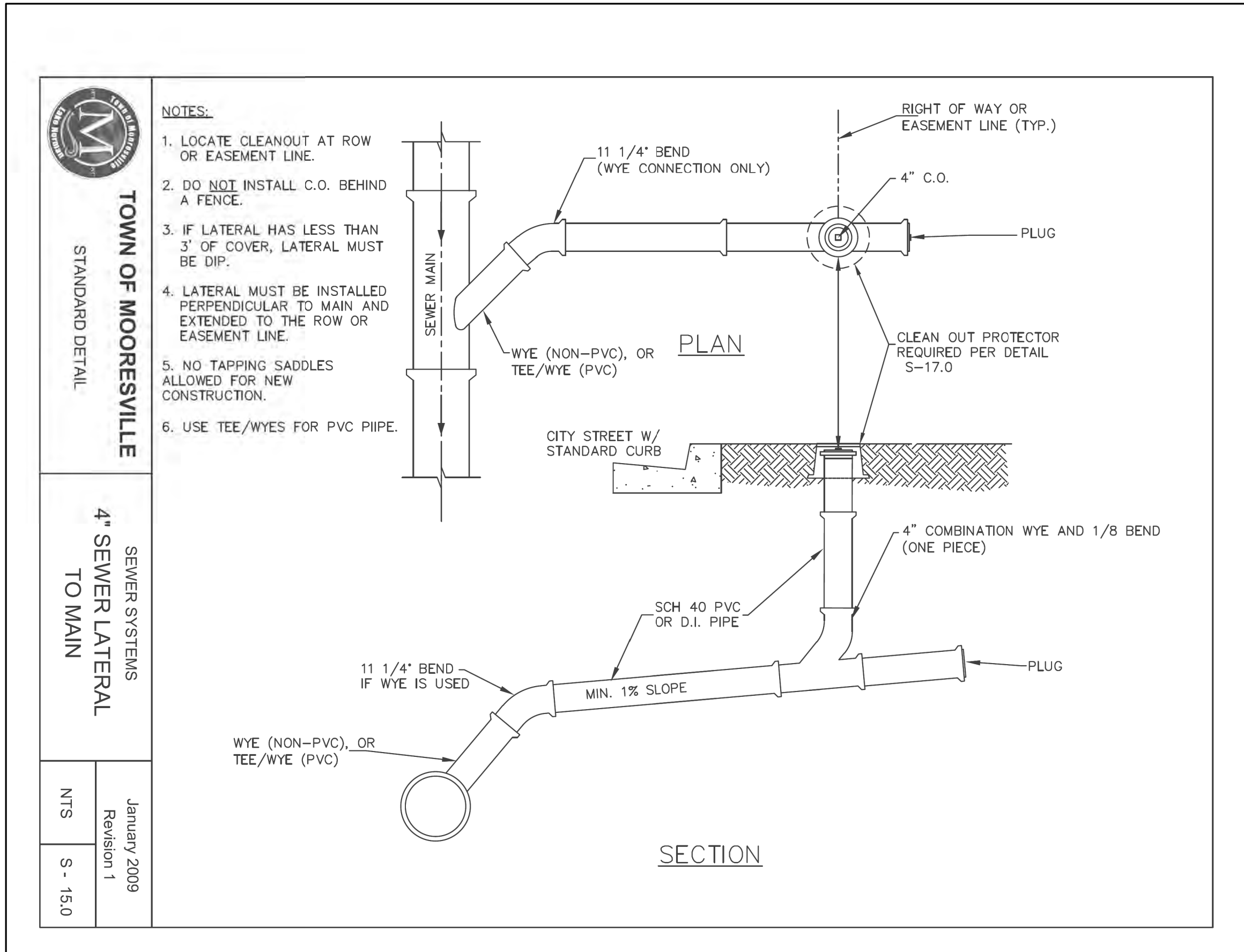
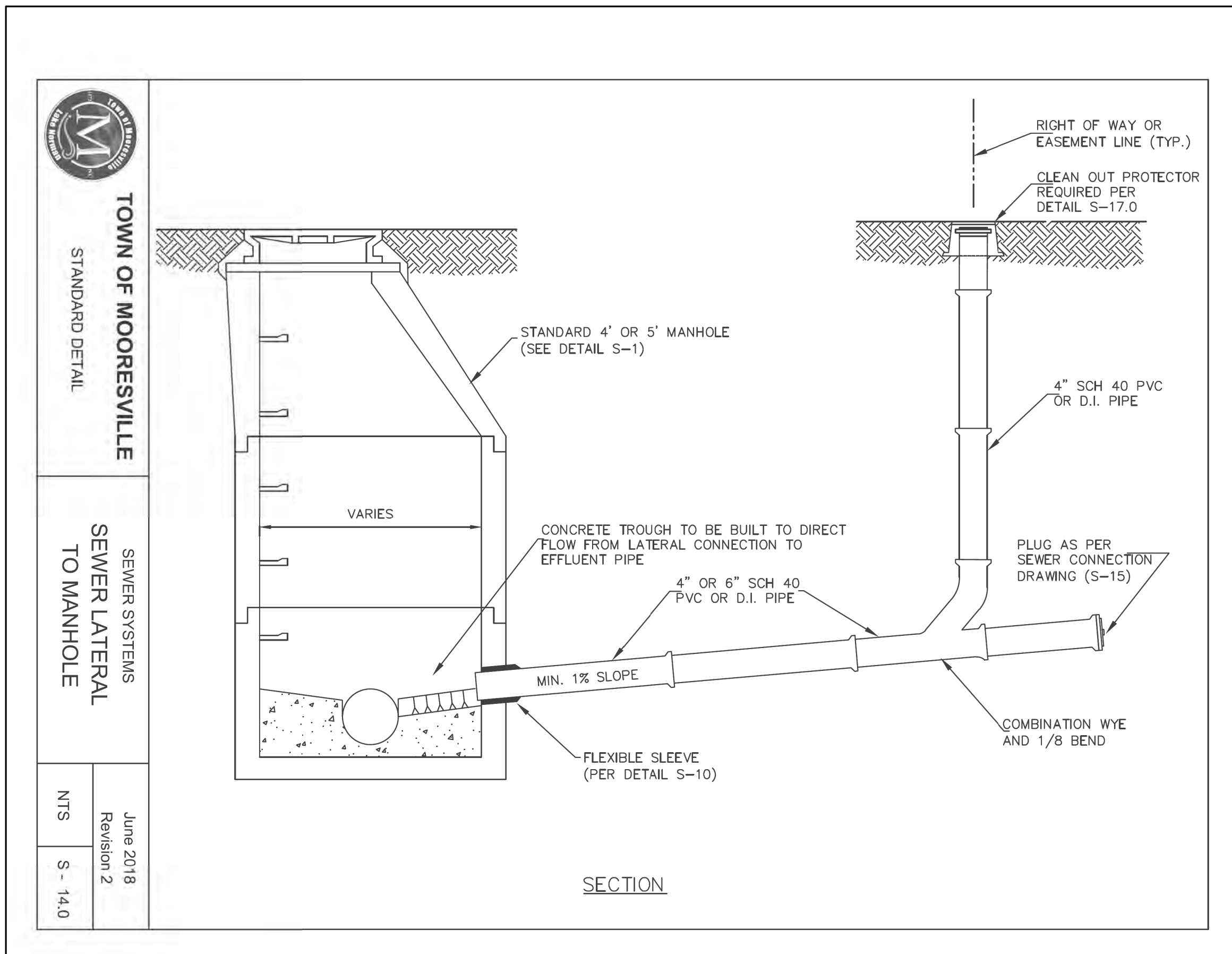
Stantec Consulting Services Inc.  
 801 Jones Franklin Road  
 Suite 300  
 Raleigh, NC 27606  
 Tel. (919) 851-6866  
 Fax. (919) 851-7024  
 www.stantec.com  
 License No. F-0672

## UTILITY CONSTRUCTION



**NOTES:**

1. 4" TYPICAL, 6" DEPTH IF IN ROCK.
2. FOUNDATION STONE REQUIRED WHEN SOIL CONDITIONS ARE UNSTABLE.
3. INITIAL BACKFILL SHALL BE PLACED IN 6" LIFTS AND COMPACTED. INITIAL BACKFILL SHALL CONTAIN NO MATERIAL OVER 1 1/2" IN DIAMETER, FROZEN LUMPS, OR DEBRIS.
4. BACKFILL SHALL BE COMPACTED TO 95% STANDARD PROCTOR DENSITY UP TO 1' BELOW SUBGRADE. REFER TO ROADWAY STANDARD FOR FINAL 1'.



**NOTES:**

1. LOCATE CLEANOUT AT ROW OR EASEMENT LINE.
2. DO NOT INSTALL C.O. BEHIND A FENCE.
3. IF LATERAL HAS LESS THAN 3' OF COVER, LATERAL MUST BE DIP.
4. LATERAL MUST BE INSTALLED PERPENDICULAR TO MAIN AND EXTENDED TO THE ROW OR EASEMENT LINE.
5. NO TAPPING SADDLES ALLOWED FOR NEW CONSTRUCTION.
6. USE TEE/WYES FOR PVC PIPE.

8/23/2023  
 C:\Utilities\Engineering\UC\Proj\NR3833C-ut.tbl\_UC03h.dgn