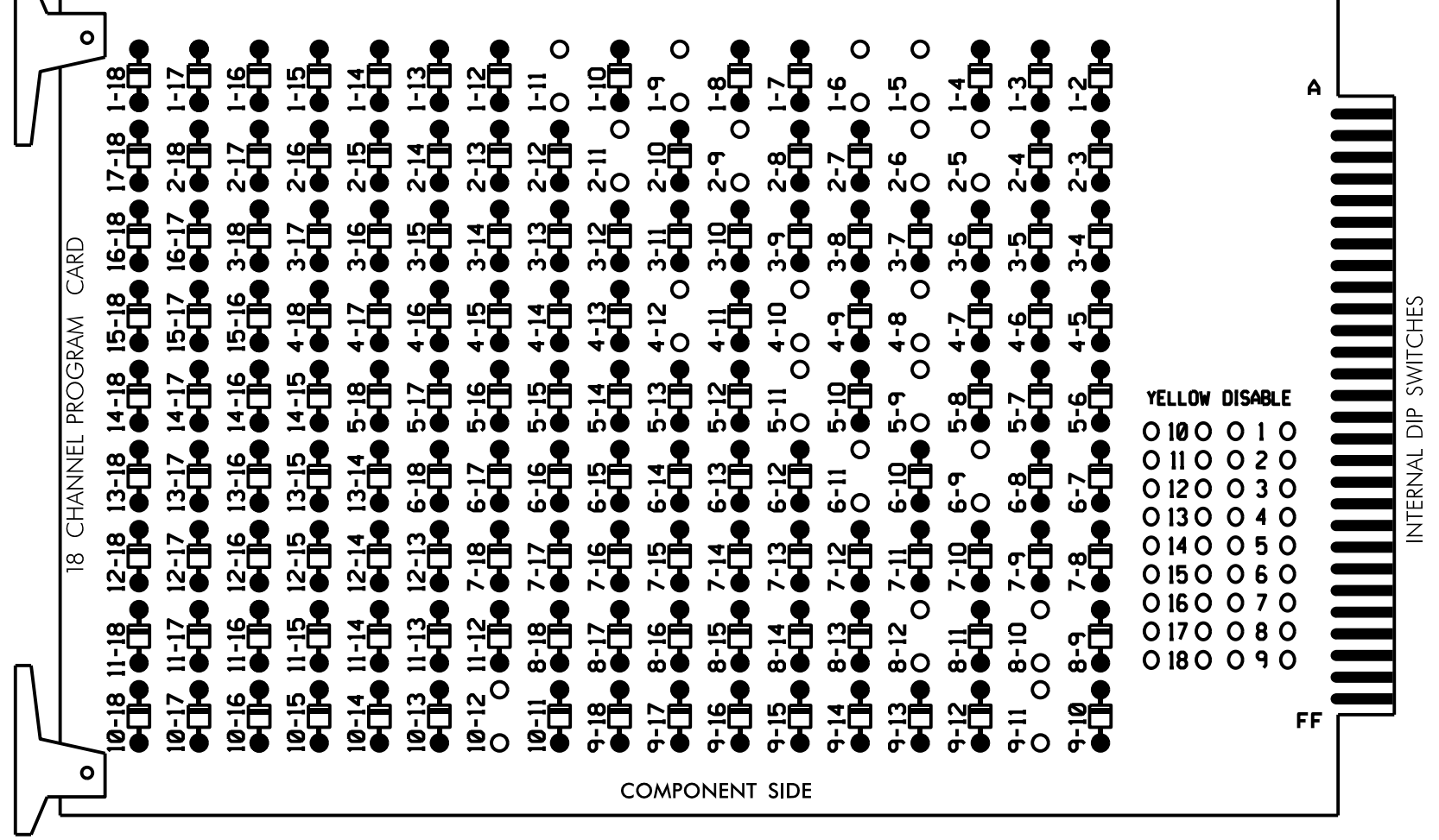


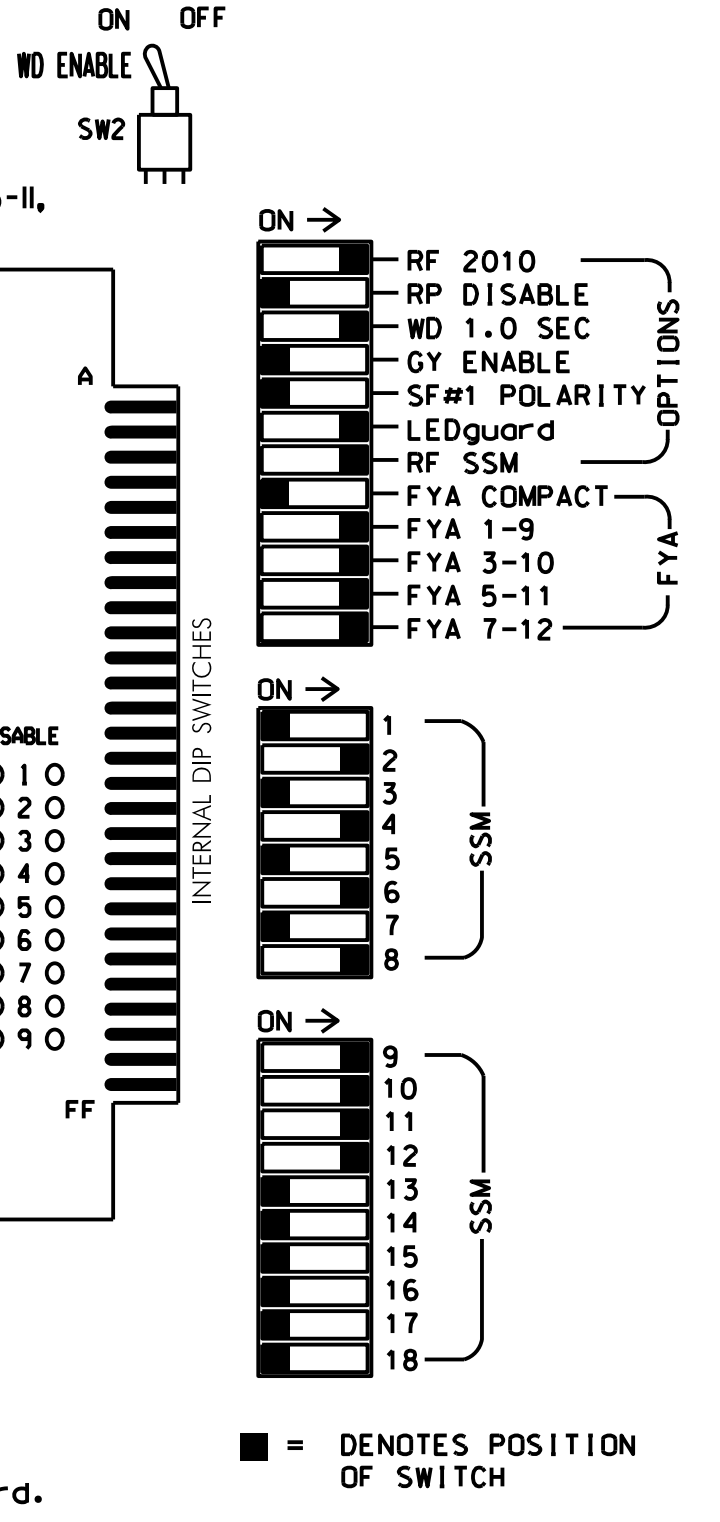
18 CHANNEL IP CONFLICT MONITOR PROGRAMMING DETAIL
(remove jumpers and set switches as shown)

REMOVE DIODE JUMPERS 1-5, 1-6, 1-9, 1-11, 2-5, 2-6, 2-9, 2-11, 4-8, 4-10, 4-12, 5-9, 5-11, 6-9, 6-11, 8-10, 8-12, 9-11 and 10-12.



REMOVE JUMPERS AS SHOWN

- NOTES:
- Card is provided with all diode jumpers in place. Removal of any jumper allows its channels to run concurrently.
 - Ensure jumpers SEL2-SEL5 and SEL9 are present on the monitor board.
 - Ensure that Red Enable is active at all times during normal operation.



NOTES

- To prevent "flash-conflict" problems, insert red flash program blocks for all unused vehicle load switches in the output file. The installer shall verify that signal heads flash in accordance with the Signal Plans.
- Program phases 4 and 8 for Dual Entry.
- Program controller to start up in phase 2 Green No Walk and 6 Green No Walk.

EQUIPMENT INFORMATION

CONTROLLER.....2070LX
 CABINET.....332 W/AUX
 SOFTWARE.....0-FREE MAXTIME
 CABINET MOUNT.....BASE
 OUTPUT FILE POSITIONS...18 WITH AUX. OUTPUT FILE
 LOAD SWITCHES USED.....S1,S2,S5,S7,S8,S11,
 AUX S1,AUX S2,AUX S4,AUX S5
 PHASES USED.....1,2,4,5,6,8
 OVERLAP "1".....*
 OVERLAP "2".....*
 OVERLAP "3".....*
 OVERLAP "4".....*
 * See overlap programming detail below.

SIGNAL HEAD HOOK-UP CHART

LOAD SWITCH NO.	S1	S2	S3	S4	S5	S6	S7	S8	S9	S10	S11	S12	AUX S1	AUX S2	AUX S3	AUX S4	AUX S5	AUX S6
CH1 CHANNEL NO.	1	2	13	3	4	14	5	6	15	7	8	16	9	10	17	11	12	18
PHASE	1	2	2 PED	3	4	4 PED	5	6	6 PED	7	8	8 PED	OL1	OL2	SPARE	OL3	OL4	SPARE
SIGNAL HEAD NO.	11	21,22	NU	NU	42,43,44	NU	51	61,62	NU	NU	82,83,84	NU	11	81	NU	51	41	NU
RED		128			101			134			107							
YELLOW	*	129			102		*	135			108							
GREEN		130			103			136			109							
RED ARROW													A121	A124		A114	A101	
YELLOW ARROW													A122	A125		A115	A102	
FLASHING YELLOW ARROW													A123	A126		A116	A103	
GREEN ARROW	127							133										

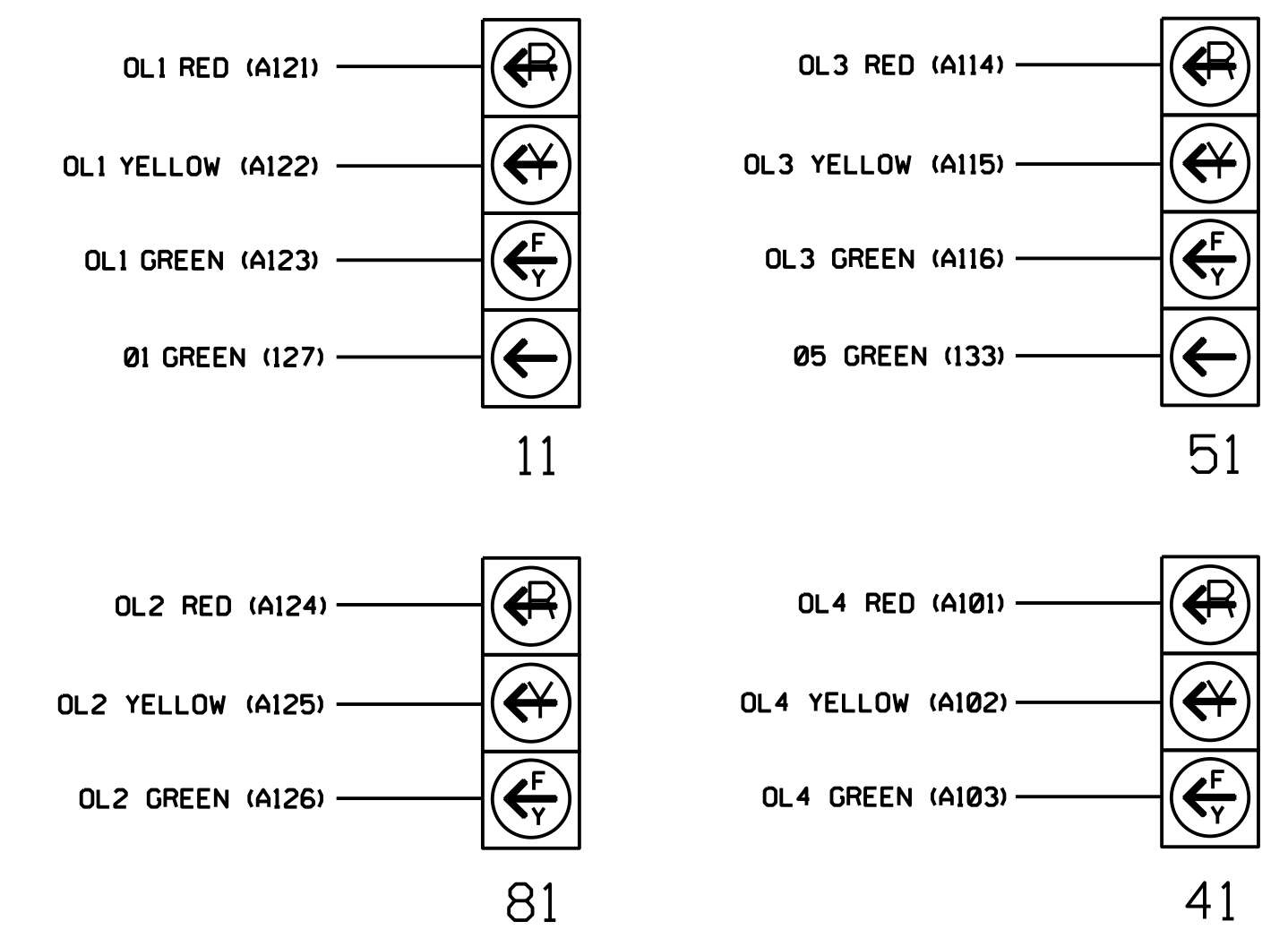
NU = Not Used
 * Denotes install load resistor. See load resistor installation detail this sheet.
 ★ See pictorial of head wiring in detail this sheet.

OVERLAP PROGRAMMING

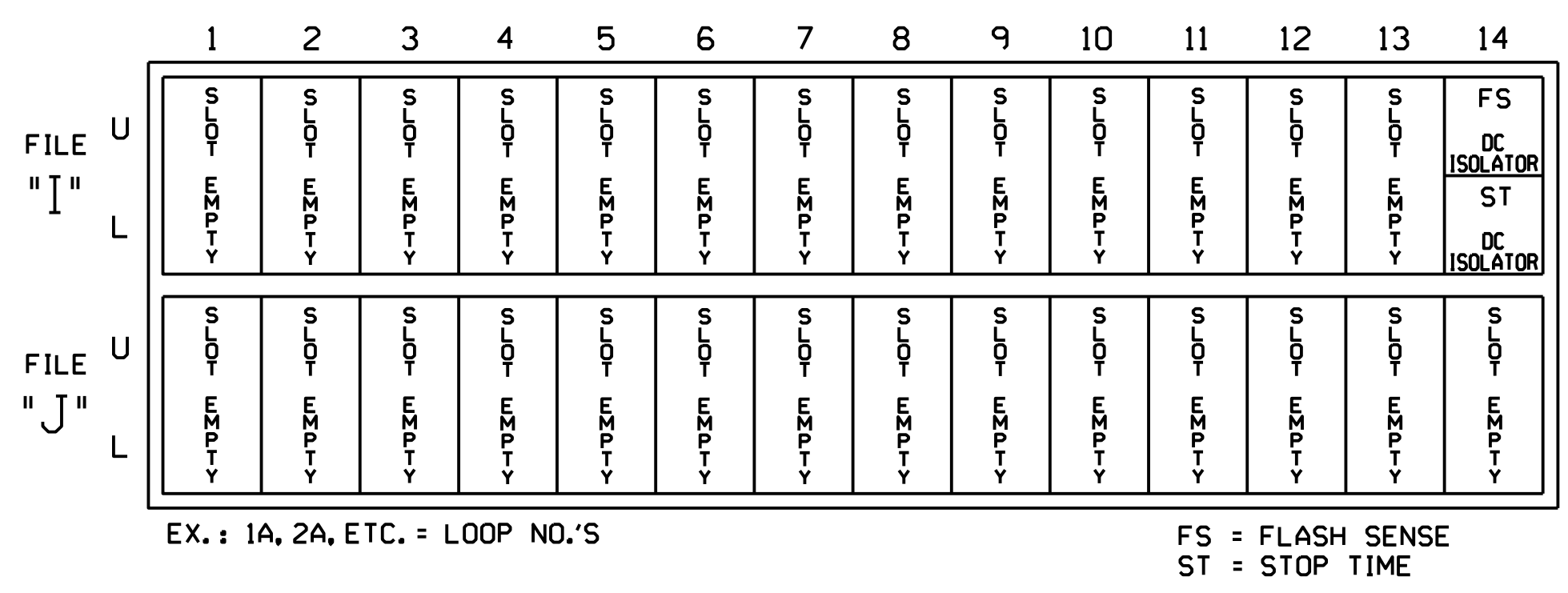
Front Panel
 Main Menu > Controller > Overlap > Overlap Parameters/Overlap Timings
 Web Interface
 Home > Controller > Overlap Configuration > Overlaps
 Overlap Plan 1

Overlap	1	2	3	4
Type	FYA 4 - Section	FYA 4 - Section	FYA 4 - Section	FYA 4 - Section
Included Phases	2	4	6	8
Modifier Phases	1	-	5	-
Modifier Overlaps	-	-	-	-
Trail Green	0	0	0	0
Trail Yellow	0.0	0.0	0.0	0.0
Trail Red	0.0	0.0	0.0	0.0

FYA SIGNAL WIRING DETAIL
(wire signal heads as shown)



INPUT FILE POSITION LAYOUT
(front view)



FLASHER CIRCUIT MODIFICATION DETAIL

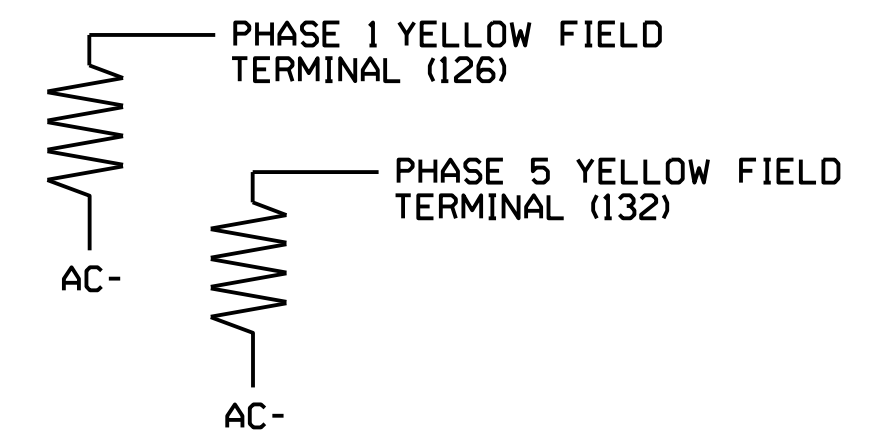
IN ORDER TO ENSURE THAT SIGNALS FLASH CONCURRENTLY ON THE SAME APPROACH, MAKE THE FOLLOWING FLASHER CIRCUIT CHANGES:

- ON REAR OF PDA - REMOVE WIRE FROM TERM. T2-4 AND TERMINATE ON T2-2.
- ON REAR OF PDA - REMOVE WIRE FROM TERM. T2-5 AND TERMINATE ON T2-3.
- REMOVE FLASHER UNIT 2.

THE CHANGES LISTED ABOVE TIES ALL PHASES AND OVERLAPS TO FLASHER UNIT 1.

LOAD RESISTOR INSTALLATION DETAIL
(install resistors as shown below)

VALUE (ohms)	WATTAGE
1.5K - 1.9K	25W (min)
2.0K - 3.0K	10W (min)



THIS ELECTRICAL DETAIL IS FOR THE SIGNAL DESIGN: 09-0654T2
 DESIGNED: August 2023
 SEALED: 9/7/2023
 REVISED: N/A

Prepared in the Office of:

 NC FIRM LICENSE No: P-0339
 320 Executive Court
 Hillsborough, NC 27278
 (919) 732-3883
 (919) 732-6676 (FAX)

Electrical Detail - Temporary Design 2

DOCUMENT NOT CONSIDERED FINAL UNLESS ALL SIGNATURES COMPLETED

SEAL
 NORTH CAROLINA PROFESSIONAL ENGINEER
 SEAL 018174
 EDWARD W. SIRGANY

Prepared For:

 750 N. Greenfield Pkwy, Corner, NC 27529

NC 66 (Old Hollow Road) at SR 2385 (Darrow Road)
 Division 9 Forsyth County Walkertown
 PLAN DATE: August 2023 REVIEWED BY: E. Sirgany
 PREPARED BY: J. Smith REVIEWED BY:
 REVISIONS INIT. DATE

DocuSigned by:
 Edward W. Sirgany 9/7/2023
 DATE
 SIG. INVENTORY NO. 09-0654T2