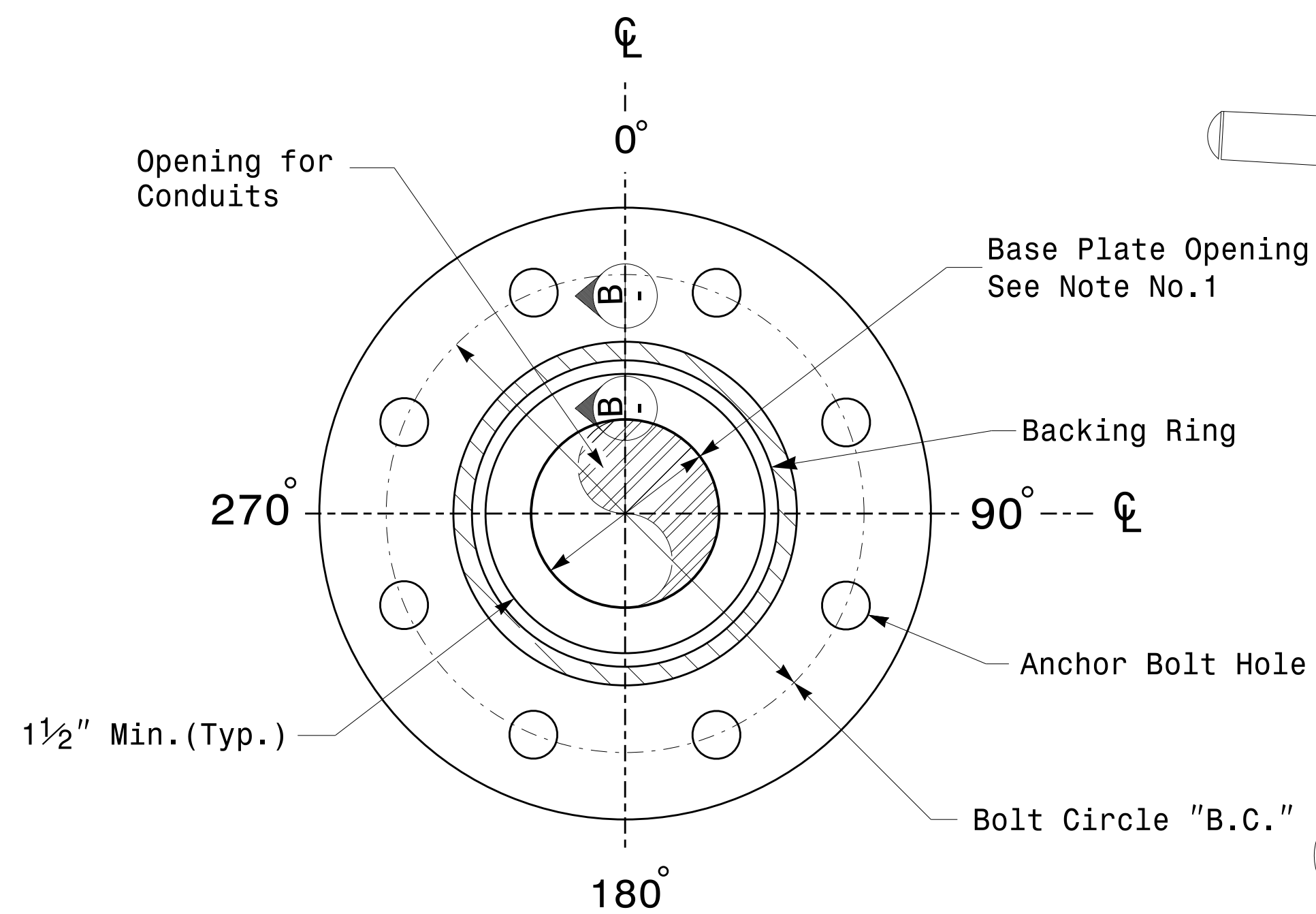
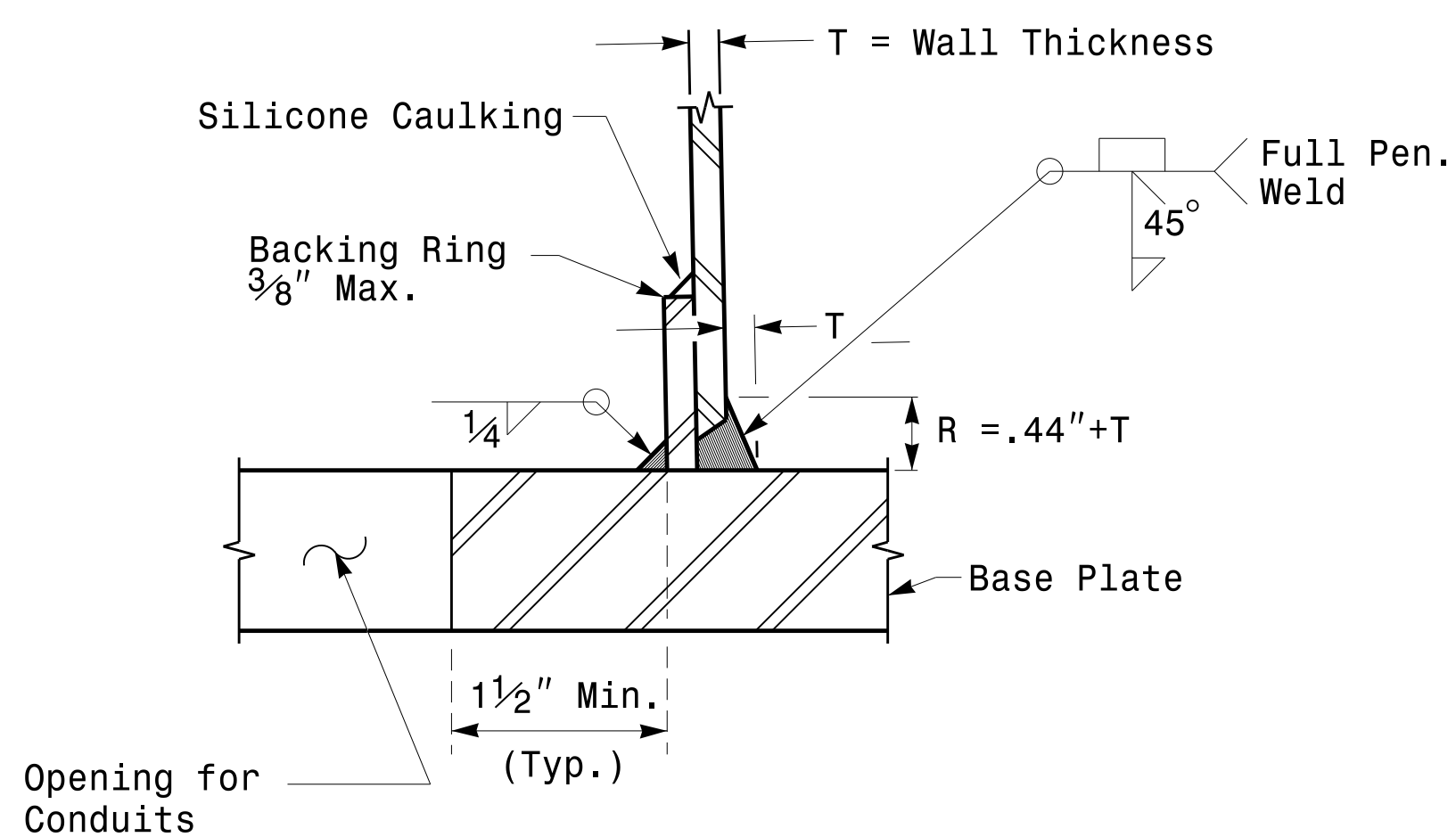


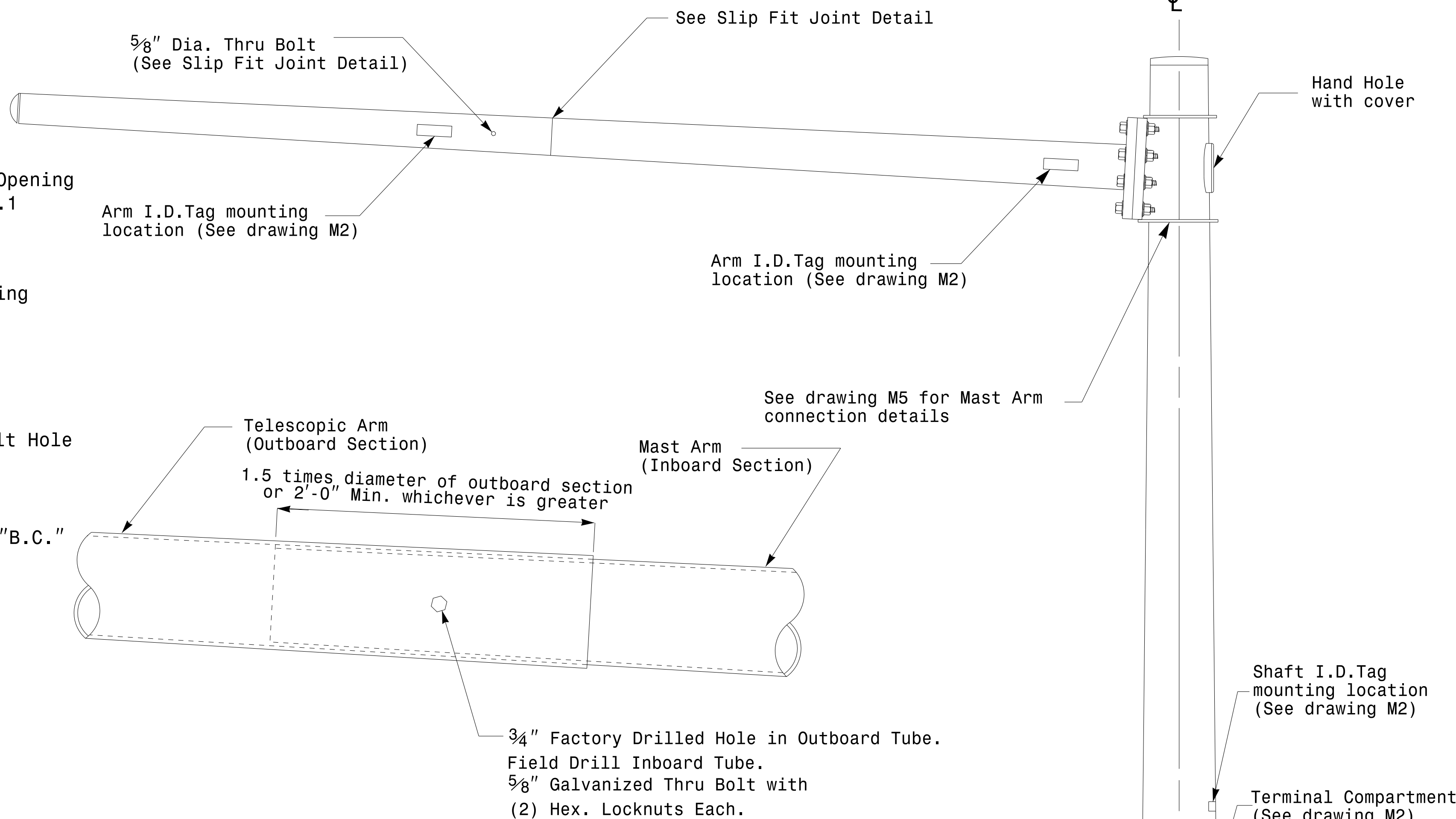
Note:
 1. Opening in pole base plate shall be equal to pole base inside diameter minus 3 1/2" but shall not be less than 8 1/2".



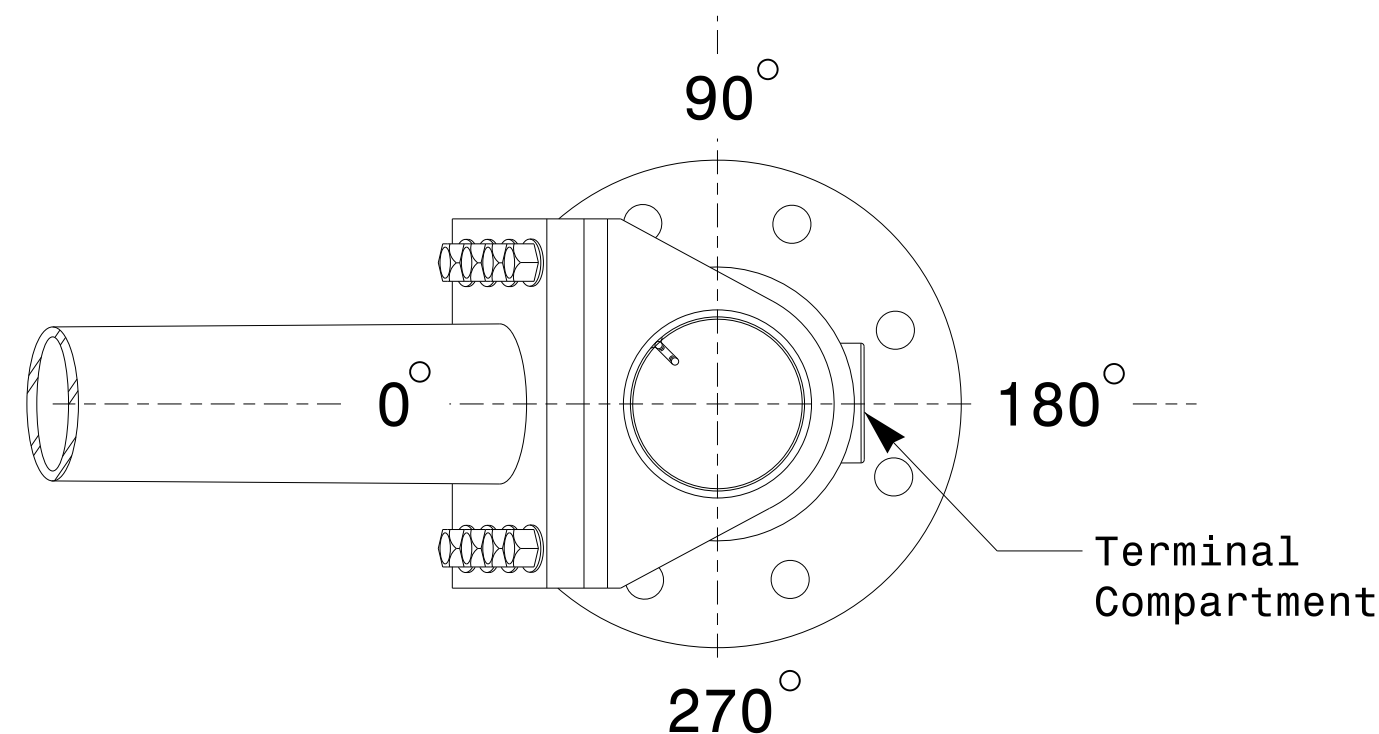
Section A-A
 Pole Base Plate Details



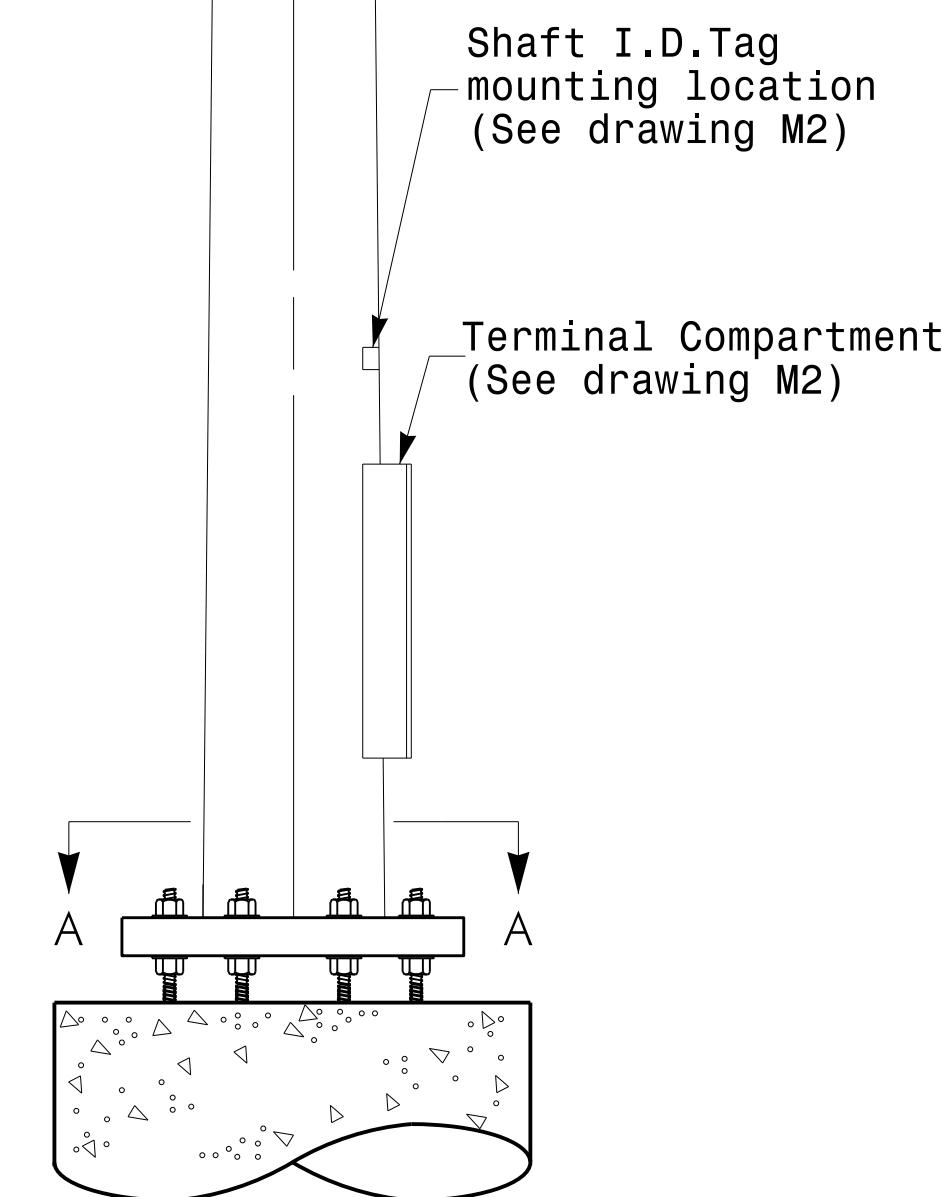
Section B-B
 (Pole Attachment to Base Plate)
 Full-Penetration Groove Weld Detail



Slip Fit Joint Detail for Mast Arm



Mast Arm Radial Orientation



Mast Arm Pole

	Typical Fabrication Details For Mast Arm Poles			
	PLAN DATE: OCTOBER 2017 PREPARED BY: N. BITTING	DESIGNED BY: K.C. DURIGON REVIEWED BY: D.C. SARKAR		SCALE: 0 NA NONE
	REVISIONS _____ _____	INIT. DATE _____ _____		DocuSigned by: Dinesh C. Sarkar 10/11/2017 DATE

11-OCT-2017 08:33
 136504115 Signal&Signal Design Section\Eastern Region\MT Sheets\2016\2014 Sig.M4 Std. Fabrication Detail\Mast Arm Poles.dgn
 P1/2/2

Fabrication Details - Mast Arm Poles