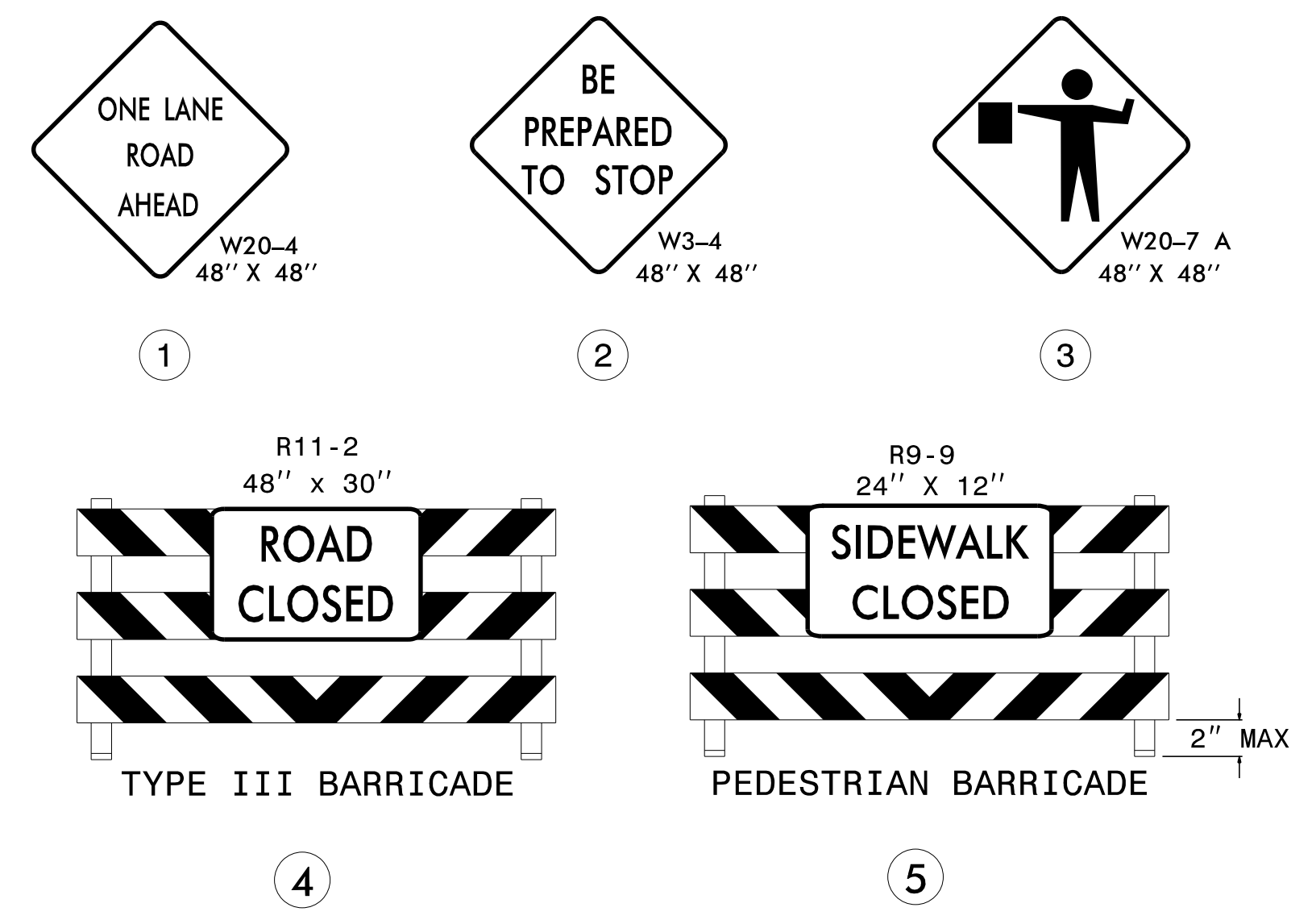
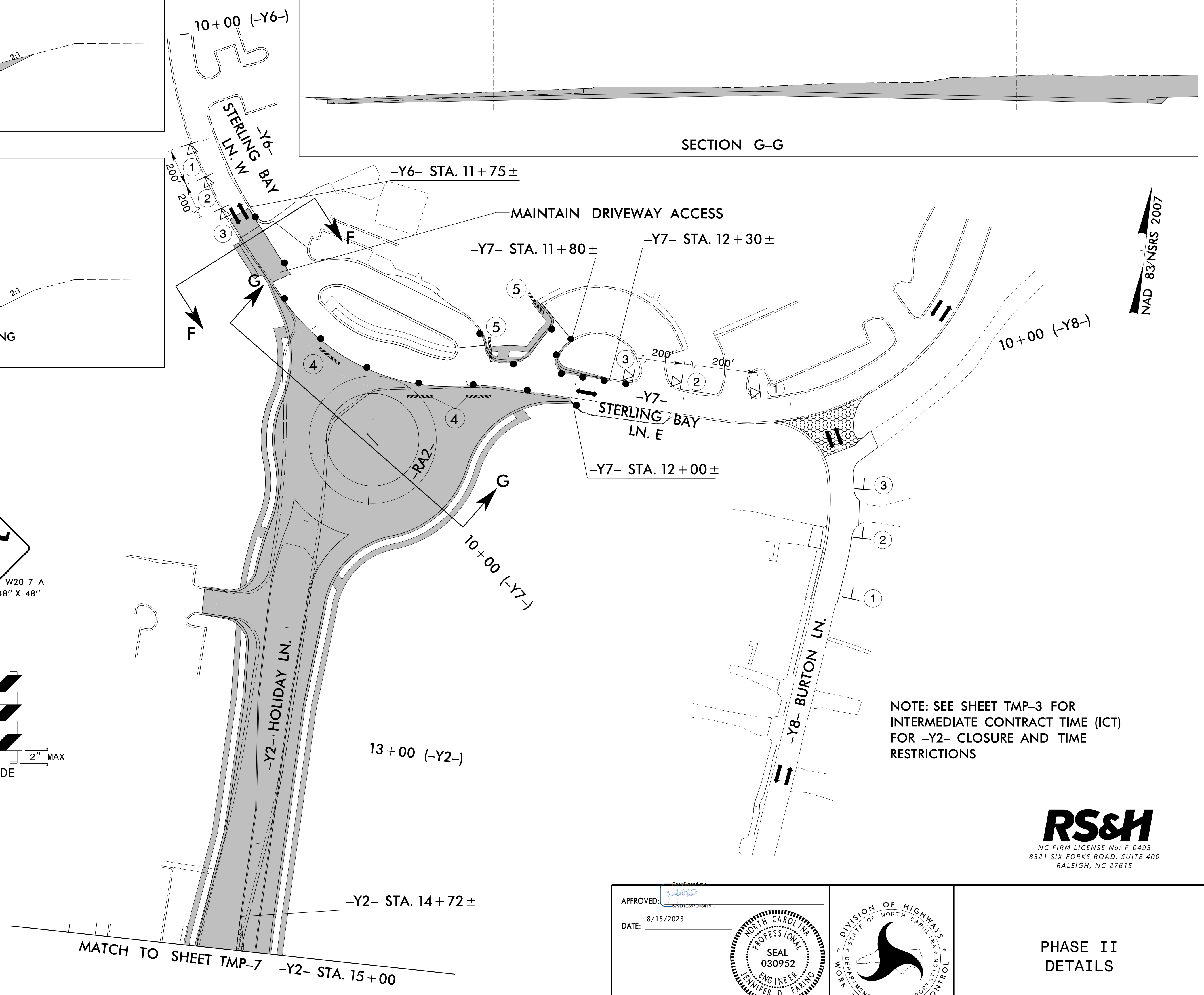
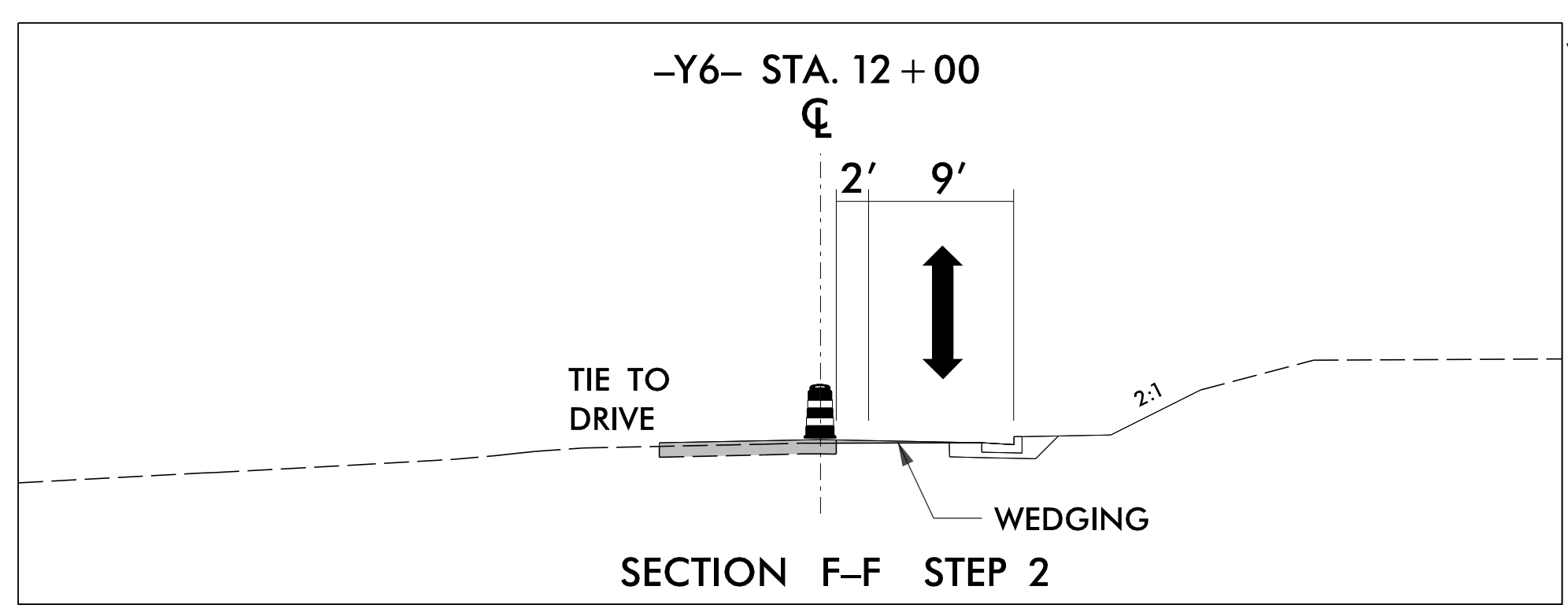
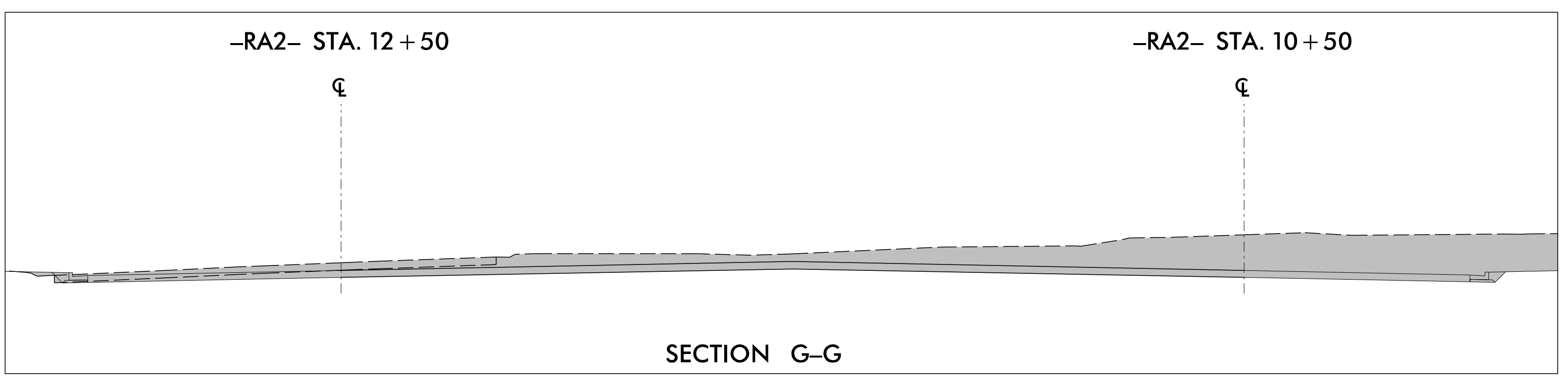
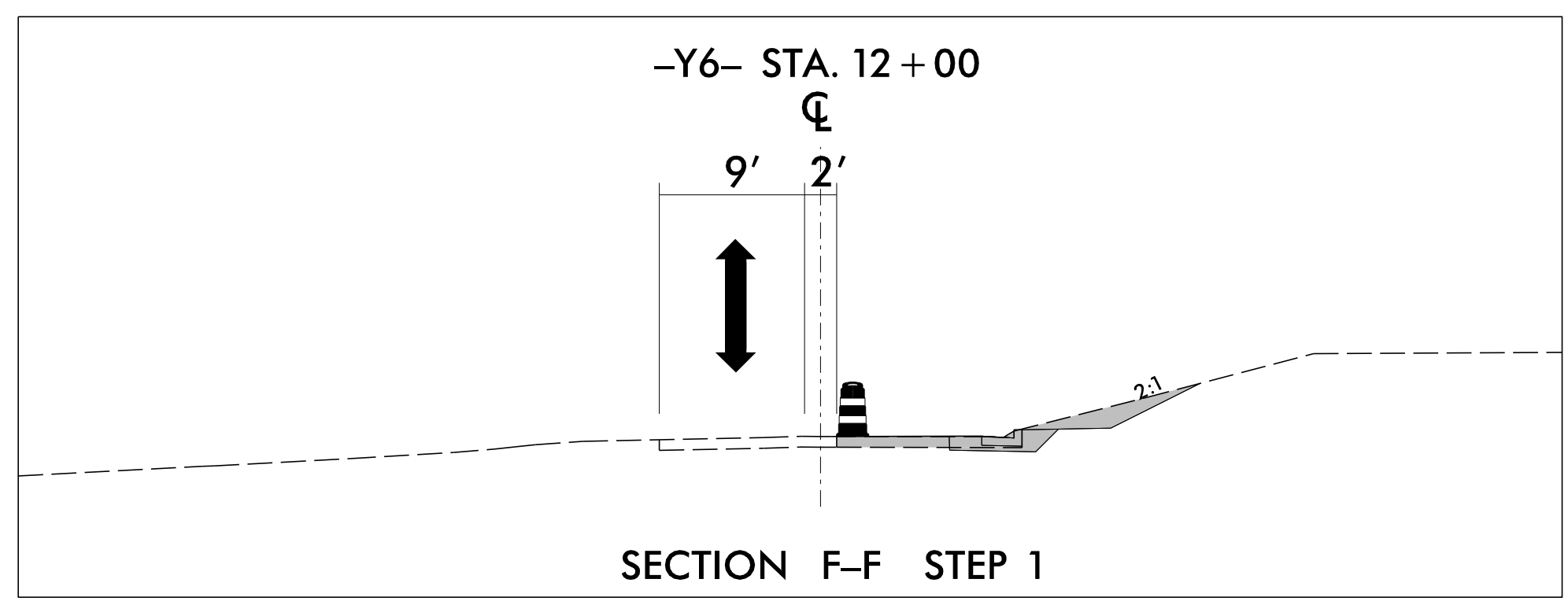




PROJ. REFERENCE NO.	SHEET NO.
C-5621	TMP-8



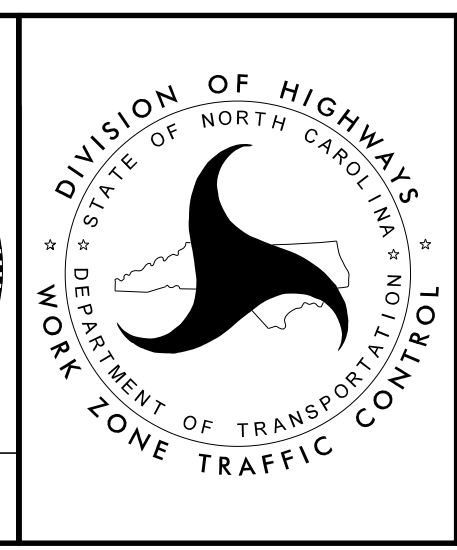
NOTE: SEE SHEET TMP-3 FOR INTERMEDIATE CONTRACT TIME (ICT) FOR -Y2- CLOSURE AND TIME RESTRICTIONS



APPROVED: [Signature]
DATE: 8/15/2023

SEAL
030952
ENGINEER
DENVER D. FARMER

DOCUMENT NOT CONSIDERED FINAL UNLESS ALL SIGNATURES COMPLETED



PHASE II DETAILS

8/15/2023 R:\Traffic\Traffic Control\TCP\NC5621\TC_TMP_pii.dtl.02.dgn User:Avgerin