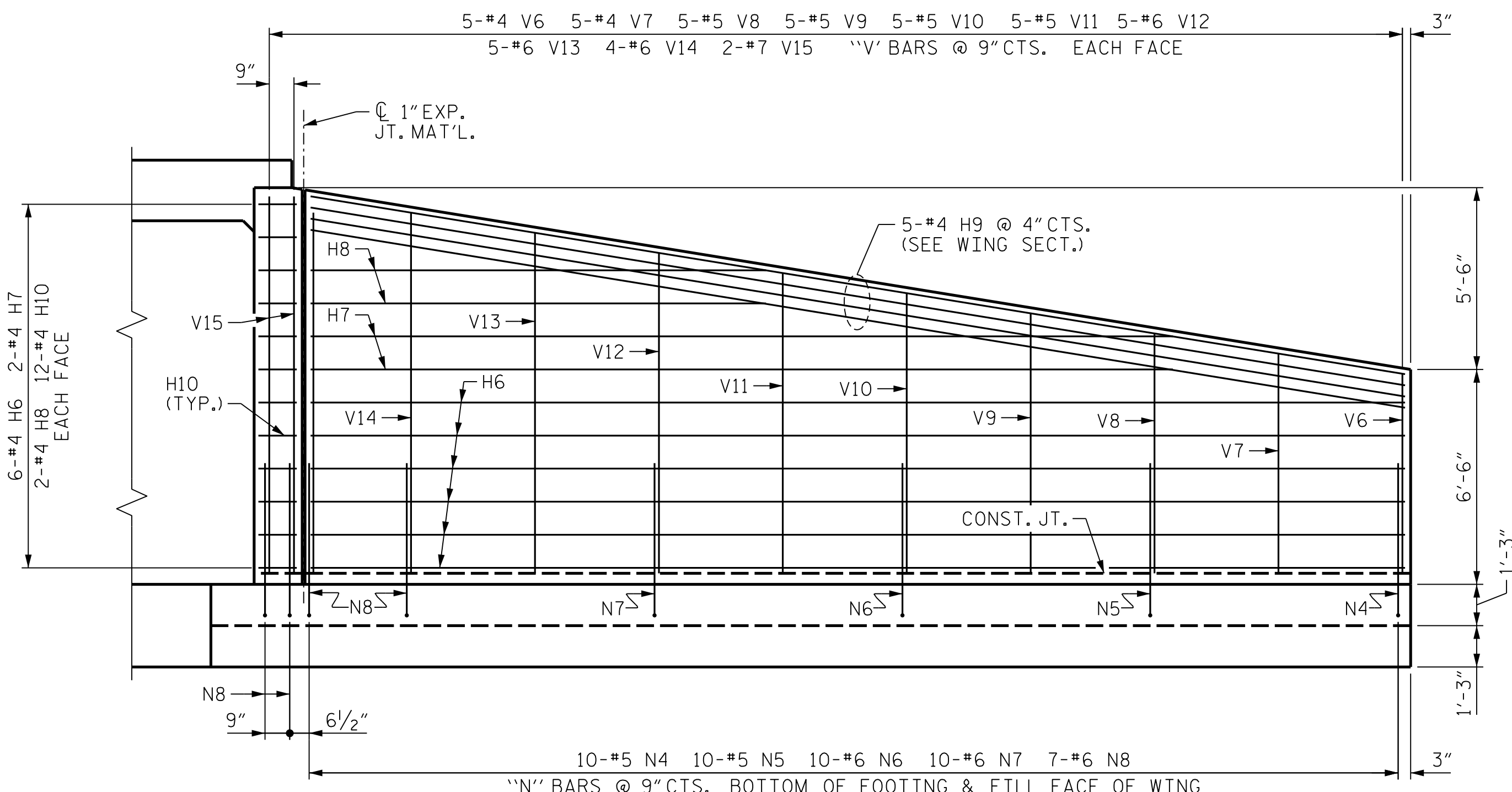
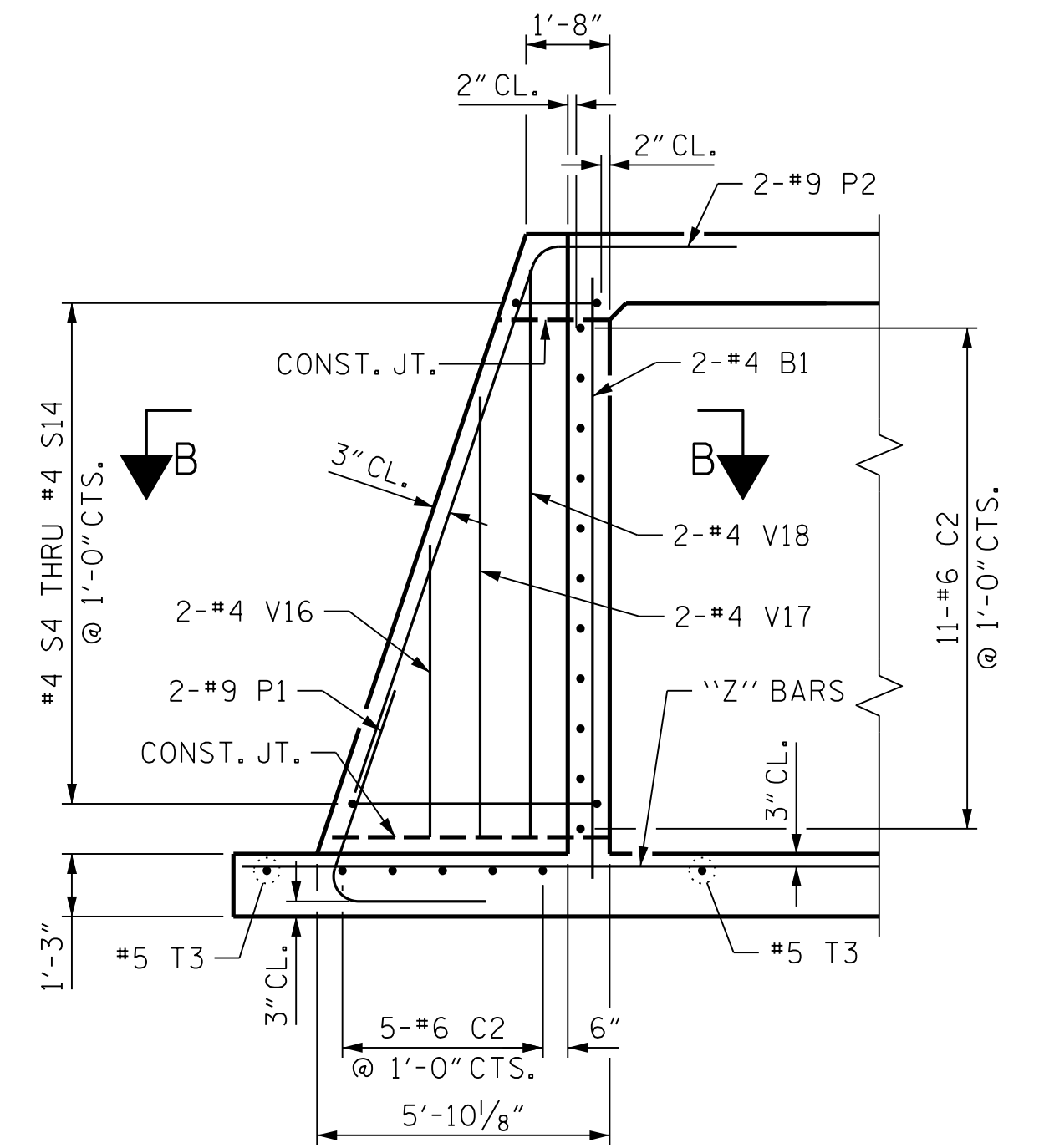


PLAN W2

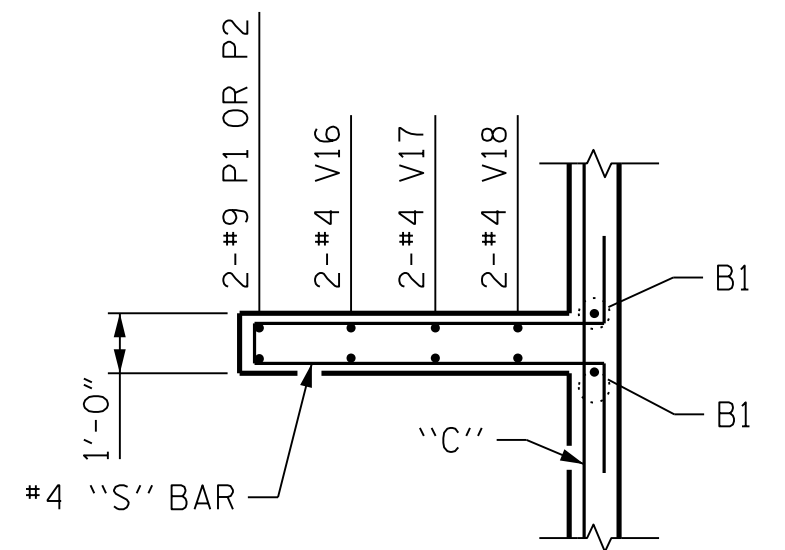
* CENTER ALL #6 C2 BARS ON C COUNTERFORT



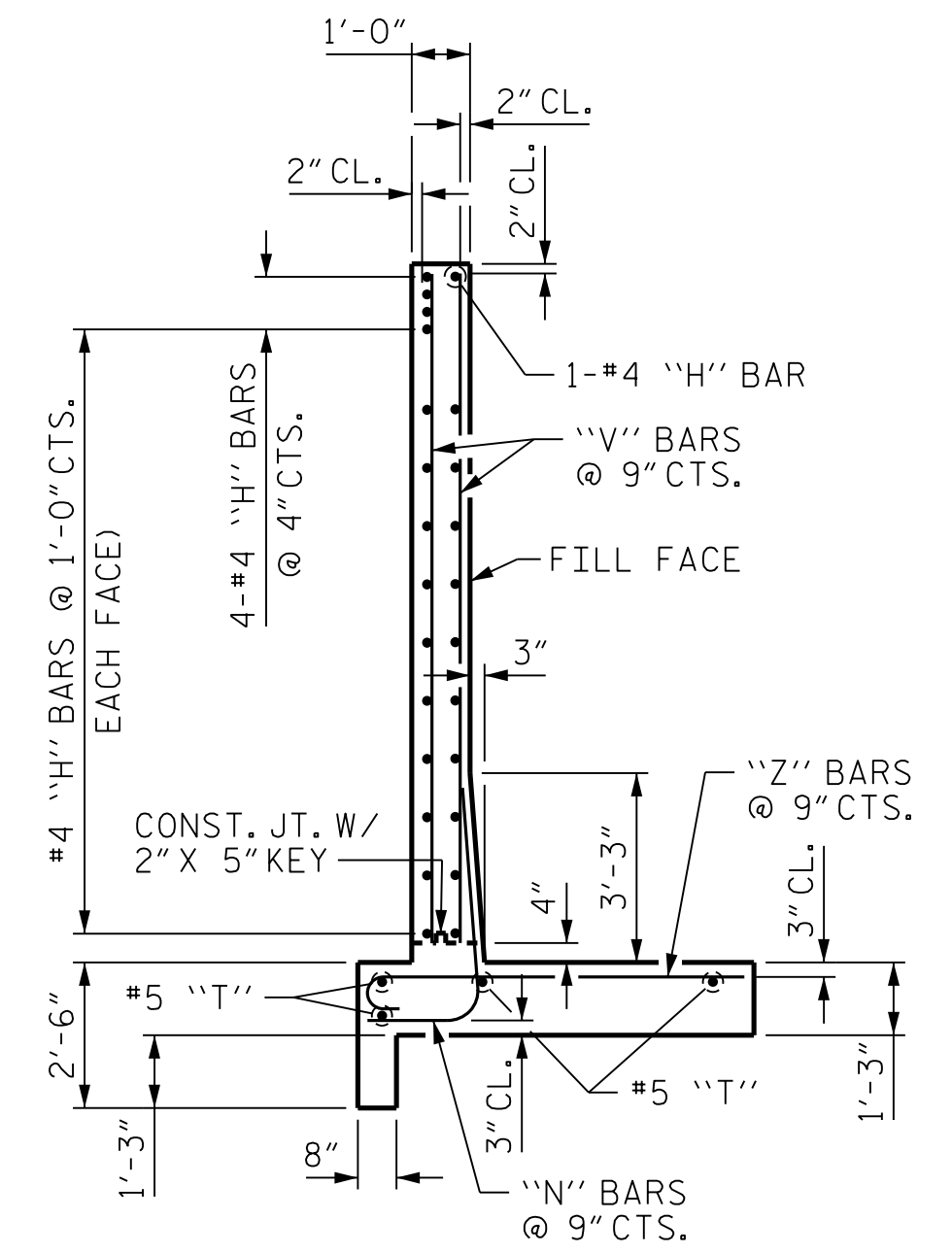
ELEVATION W2



SECTION A-A



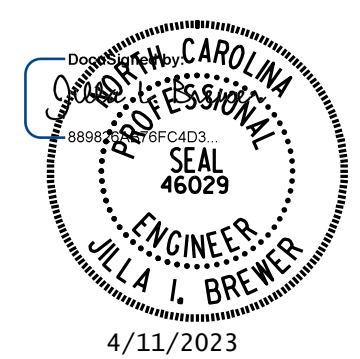
SECTION B-B



TYPICAL WING SECTION

PROJECT NO. U-5312
WILKES COUNTY
 STATION: 179+42.00 -L-

SHEET 7 OF 8



STATE OF NORTH CAROLINA
 DEPARTMENT OF TRANSPORTATION
 RALEIGH

WINGS DETAILS FOR
 CONCRETE BOX
 CULVERT EXTENSION

DOCUMENT NOT CONSIDERED FINAL UNLESS ALL SIGNATURES COMPLETED					
MI ENGINEERING 1011 SCHAUB DRIVE, SUITE 100 RALEIGH, NC 27606 (919) 851-6606 FIRM PE NUMBER: P-0671					
REVISIONS					
NO.	BY:	DATE:	NO.	BY:	DATE:
1			3		
2			4		
					SHEET NO. C1-7 TOTAL SHEETS 8

4/11/2023 1:11:42 PM User: blanning
 Filenamer: N:\NC Bridges\MI7004_VHB_U-5312_Culverts & Walls\U-5312\Structures\410_013_U5312_SML_CUT_960062.dgn

DRAWN BY : <u>B.E. LANNING</u>	DATE : <u>06/2022</u>
CHECKED BY : <u>J.I. BREWER</u>	DATE : <u>09/2022</u>
DESIGN ENGINEER OF RECORD : <u>J.I. BREWER</u>	DATE : <u>09/2022</u>