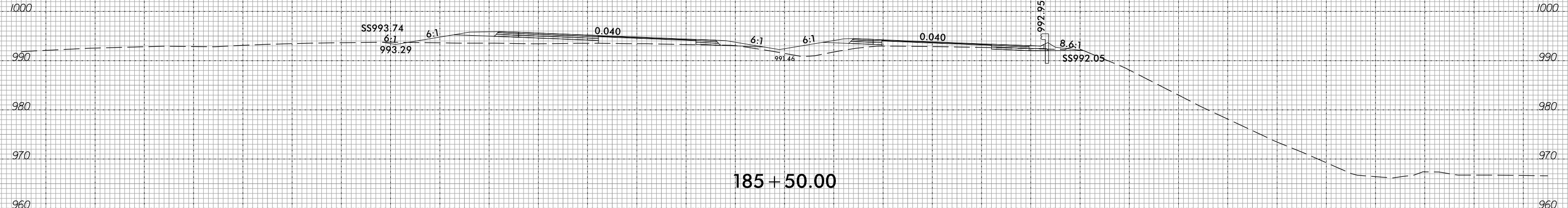
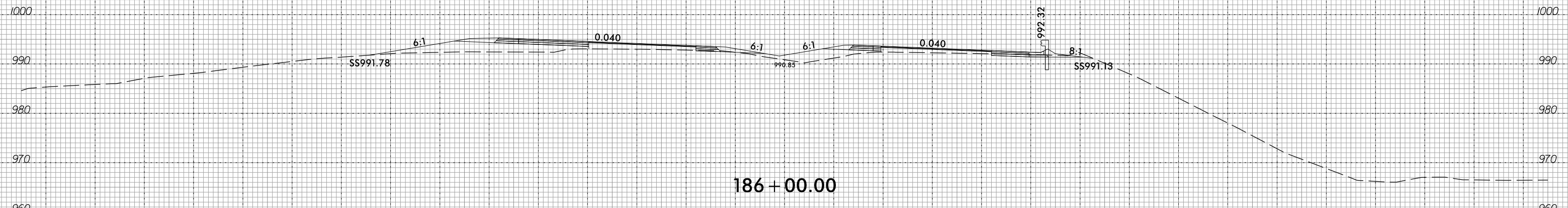
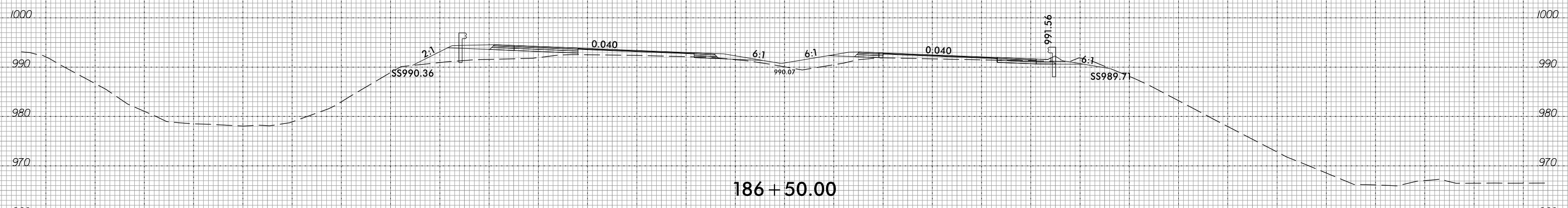
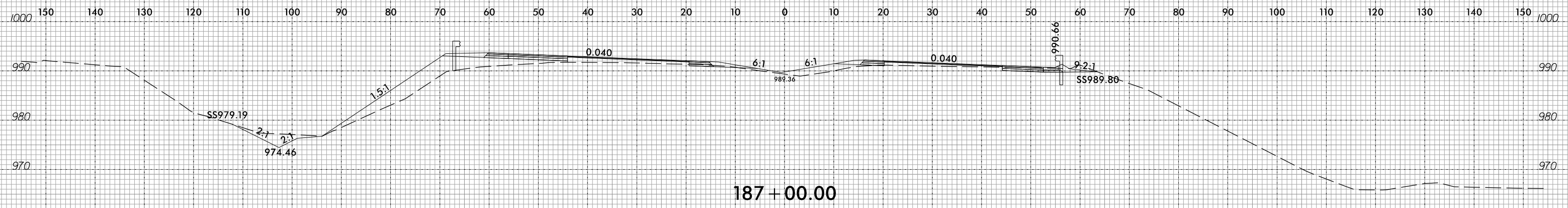


6/23/16

0 5 10	PROJ. REFERENCE NO. U-5312	SHEET NO. X-79
--------	-------------------------------	-------------------



3/9/2023 J:\Projects\Corridor-Modeling\U5312_rdy_xpl.dgn J.Javelina