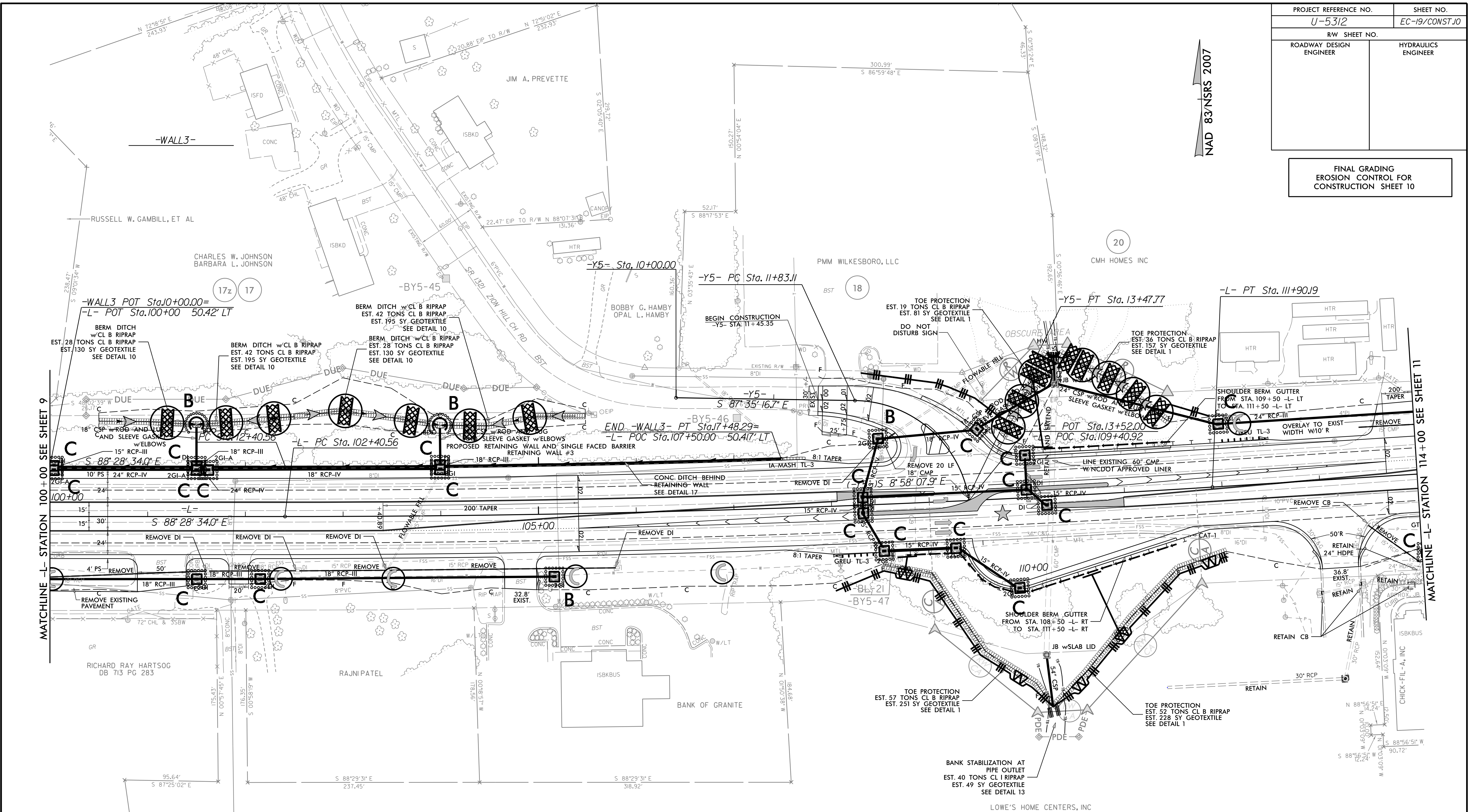


| | |
|-------------------------|---------------------|
| PROJECT REFERENCE NO. | SHEET NO. |
| U-5312 | EC-19/CONST 10 |
| RW SHEET NO. | |
| ROADWAY DESIGN ENGINEER | HYDRAULICS ENGINEER |

FINAL GRADING
EROSION CONTROL FOR
CONSTRUCTION SHEET 10

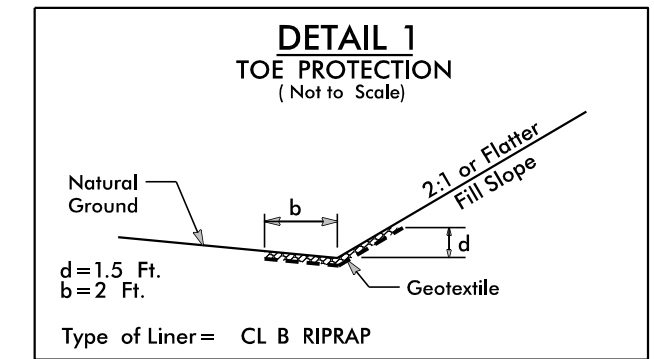
NAD 83/NSRS 2007



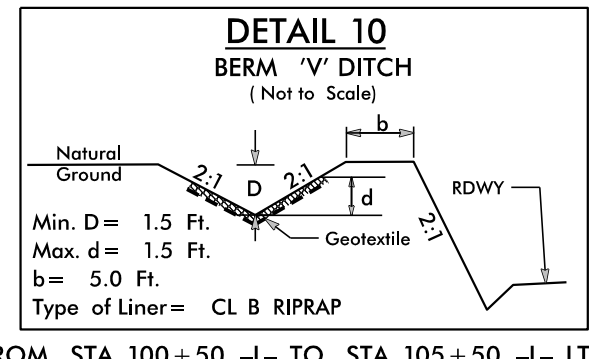
MATCHLINE -L- STATION 100+00 SEE SHEET 9

MATCHLINE -L- STATION 114+00 SEE SHEET 11

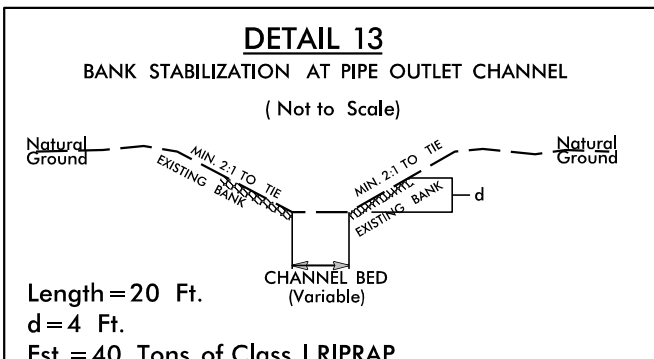
NOTE:
UTILIZE FABRIC INSERT INLET PROTECTION DEVICES IN LIEU OF
ROCK INLET SEDIMENT TRAPS, TYPE-C AS DIRECTED TO AVOID
IMPOUNDMENT OF RUNOFF IN ROADWAY OPEN TO TRAFFIC.



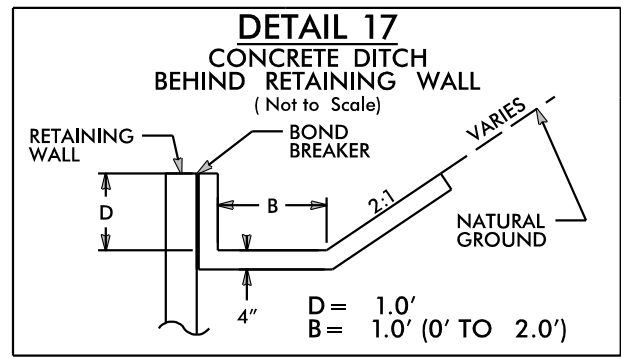
FROM STA. 108+50 -L- TO STA. 110+00 -L- RT
FROM STA. 109+79 -L- TO STA. 110+32 -L- LT
FROM STA. 110+47 -L- TO STA. 111+50 -L- LT
FROM STA. 110+50 -L- TO STA. 111+50 -L- RT



FROM STA. 100+50 -L- TO STA. 105+50 -L- LT



FROM STA. 110+00 -L- TO STA. 110+20 -L- RT



FROM STA. 100+00 -L- TO STA. 107+50 -L- LT

Place Matting for Erosion Control
on Slope as Work Allows.
Sta. 110+00 to Sta. 111+50 -L- LT
Sta. 108+50 to Sta. 111+50 -L- RT