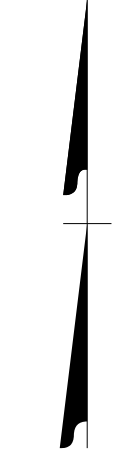
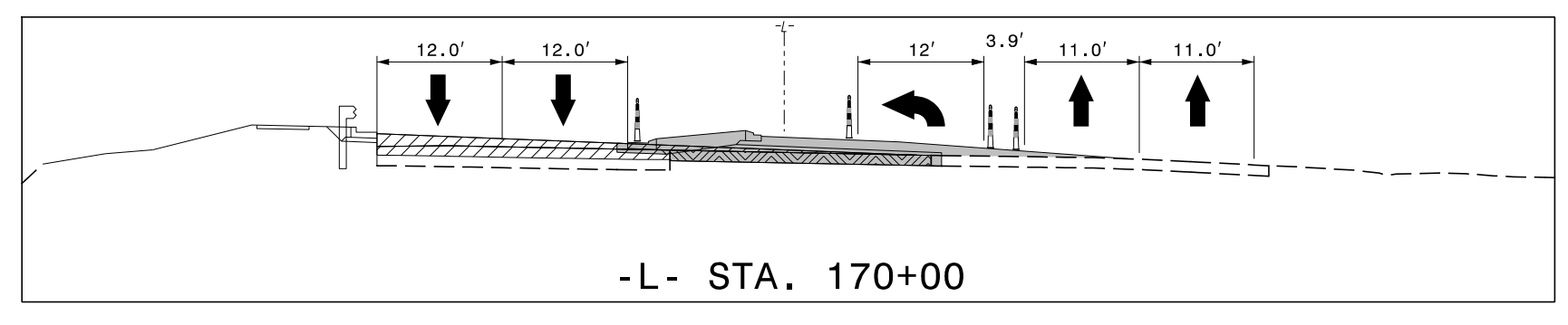


MESSAGE NO. 1	MESSAGE NO. 2
NO LEFT TURNS	MAKE UTURN AHEAD

CHANGEABLE MESSAGE SIGN

(B)

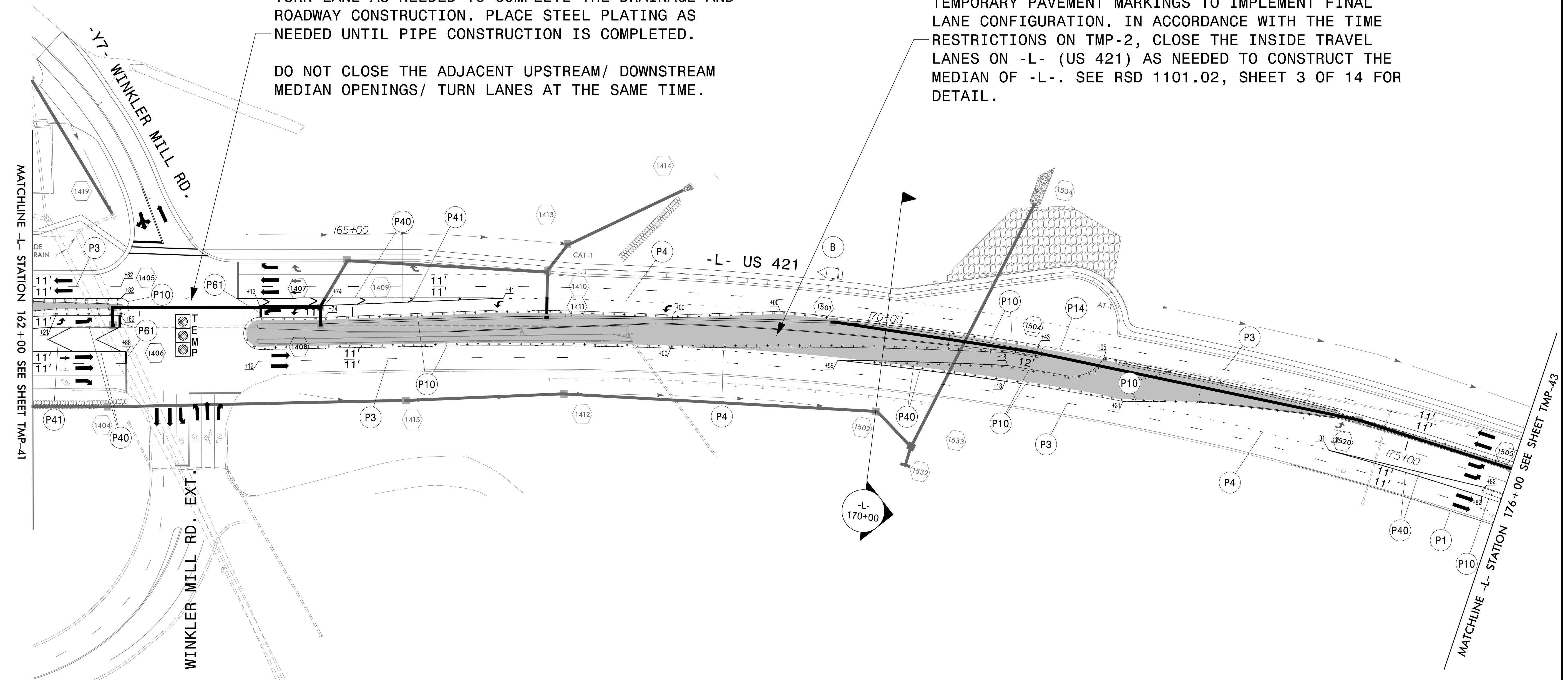
INSTALL CMS DURING MEDIAN OPENING CLOSURE.



USING NIGHTLY CLOSURES, CLOSE THE MEDIAN OPENING/ TURN LANE AS NEEDED TO COMPLETE THE DRAINAGE AND ROADWAY CONSTRUCTION. PLACE STEEL PLATING AS NEEDED UNTIL PIPE CONSTRUCTION IS COMPLETED.

DO NOT CLOSE THE ADJACENT UPSTREAM/ DOWNSTREAM MEDIAN OPENINGS/ TURN LANES AT THE SAME TIME.

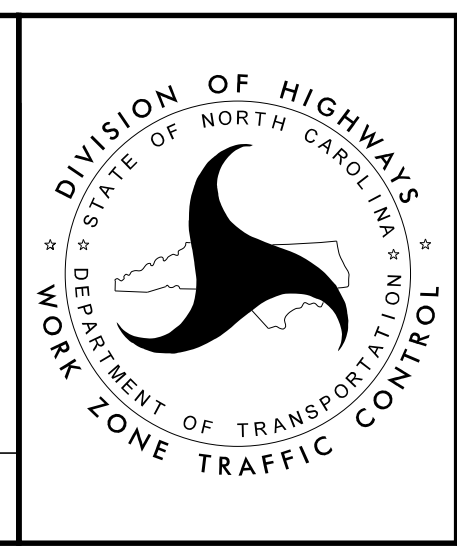
DELINEATE PROPOSED MEDIAN WITH SKINNY DRUMS AND TEMPORARY PAVEMENT MARKINGS TO IMPLEMENT FINAL LANE CONFIGURATION. IN ACCORDANCE WITH THE TIME RESTRICTIONS ON TMP-2, CLOSE THE INSIDE TRAVEL LANES ON -L- (US 421) AS NEEDED TO CONSTRUCT THE MEDIAN OF -L-. SEE RSD 1101.02, SHEET 3 OF 14 FOR DETAIL.



NOTE: INSTALL TEMPORARY PAINT PAVEMENT MARKINGS IN ACCORDANCE WITH FINAL PAVEMENT MARKING PLANS UNLESS SPECIFIED OTHERWISE.

APPROVED: _____
 DATE: _____

DOCUMENT NOT CONSIDERED FINAL UNLESS ALL SIGNATURES COMPLETED



PHASE 7 DETAIL

8/9/2023
R:\TrafficControl\CP\U5312_fc_tmp42.dgn
User:jtowndse