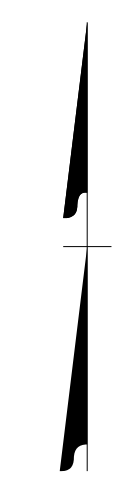
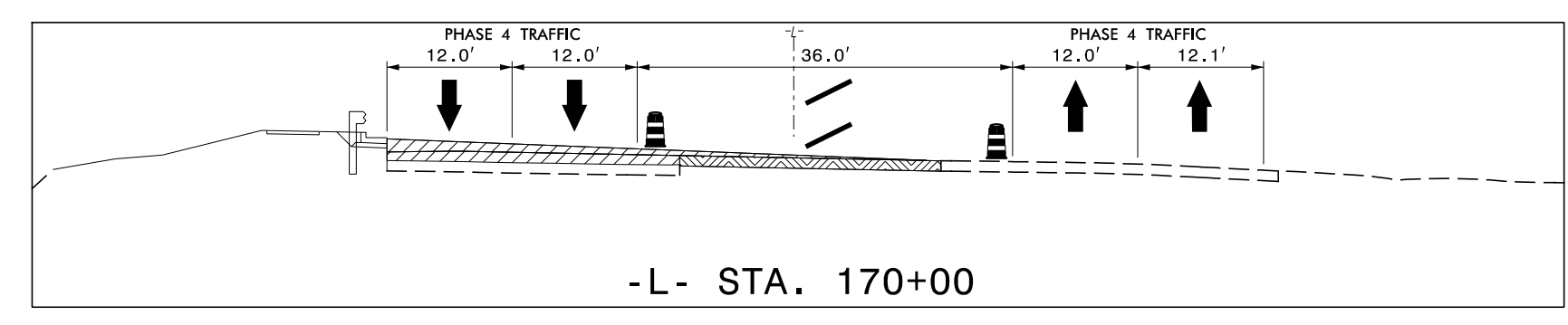


MESSAGE NO. 1	MESSAGE NO. 2
WINKLER MILL EXT CLOSED	USE NEXT ENTRANCE

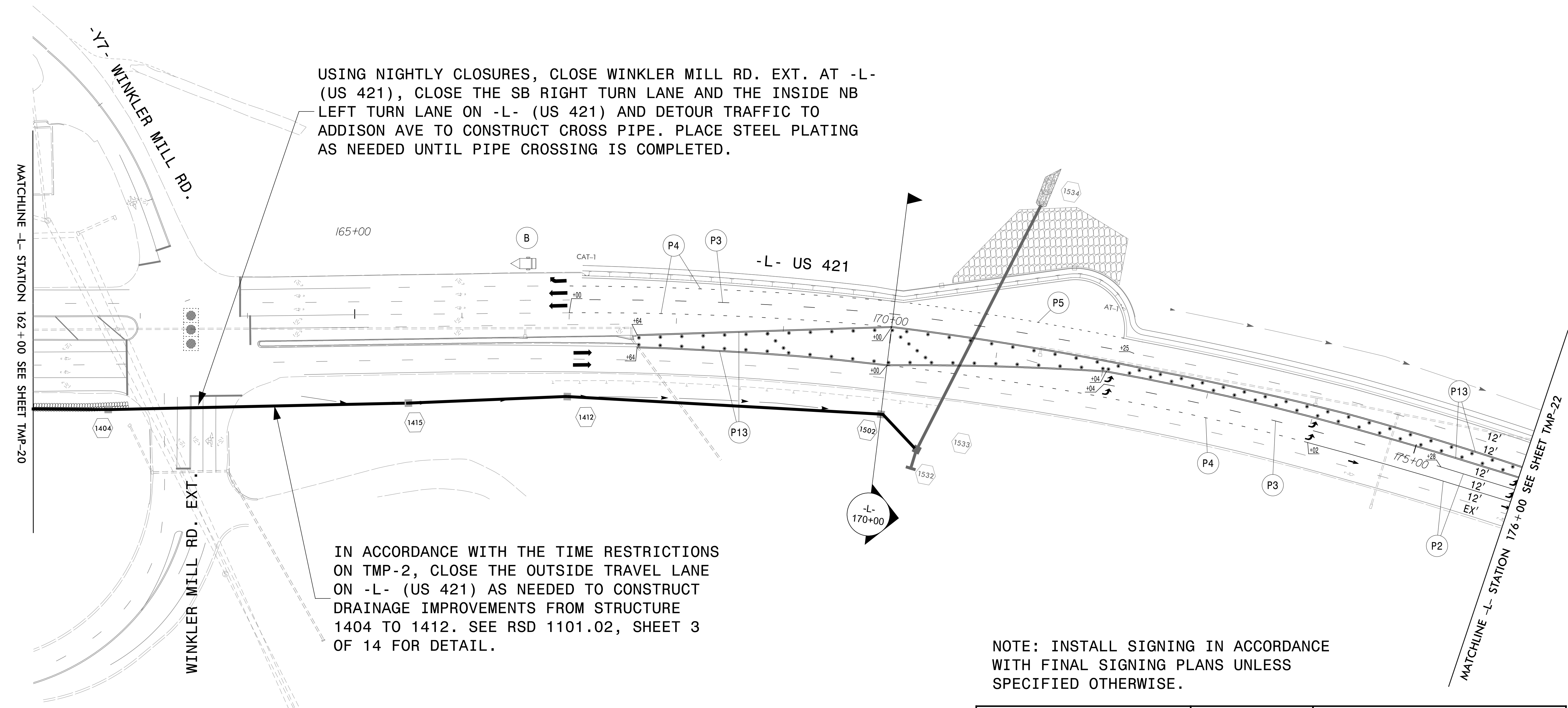
CHANGEABLE MESSAGE SIGN

(B)

INSTALL CMS DURING WINKLER MILL RD. EXT. CLOSURE



USING NIGHTLY CLOSURES, CLOSE WINKLER MILL RD. EXT. AT -L- (US 421), CLOSE THE SB RIGHT TURN LANE AND THE INSIDE NB LEFT TURN LANE ON -L- (US 421) AND DETOUR TRAFFIC TO ADDISON AVE TO CONSTRUCT CROSS PIPE. PLACE STEEL PLATING AS NEEDED UNTIL PIPE CROSSING IS COMPLETED.



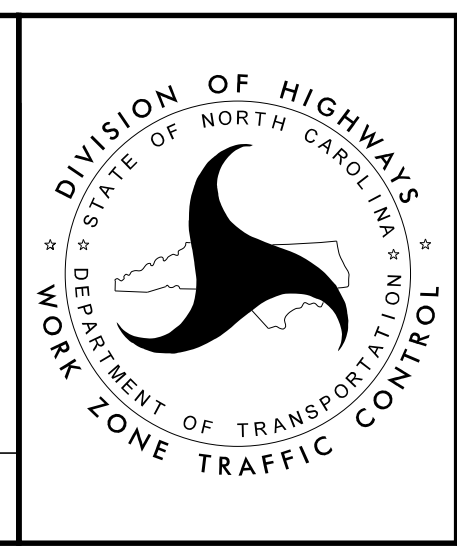
IN ACCORDANCE WITH THE TIME RESTRICTIONS ON TMP-2, CLOSE THE OUTSIDE TRAVEL LANE ON -L- (US 421) AS NEEDED TO CONSTRUCT DRAINAGE IMPROVEMENTS FROM STRUCTURE 1404 TO 1412. SEE RSD 1101.02, SHEET 3 OF 14 FOR DETAIL.

NOTE: INSTALL SIGNING IN ACCORDANCE WITH FINAL SIGNING PLANS UNLESS SPECIFIED OTHERWISE.

NOTE: INSTALL TEMPORARY PAINT PAVEMENT MARKINGS IN ACCORDANCE WITH FINAL PAVEMENT MARKING PLANS UNLESS SPECIFIED OTHERWISE.

APPROVED: \_\_\_\_\_  
 DATE: \_\_\_\_\_

**DOCUMENT NOT CONSIDERED FINAL UNLESS ALL SIGNATURES COMPLETED**



PHASE 4 DETAIL

8/9/2023  
R:\TrafficControl\CP\U5312\_tc\_tmp21.dgn  
User:jtowndse