
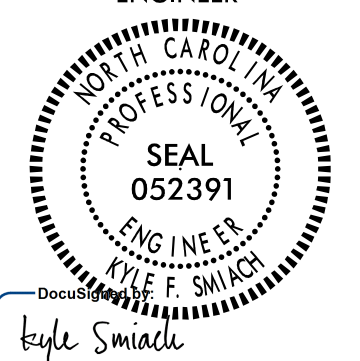
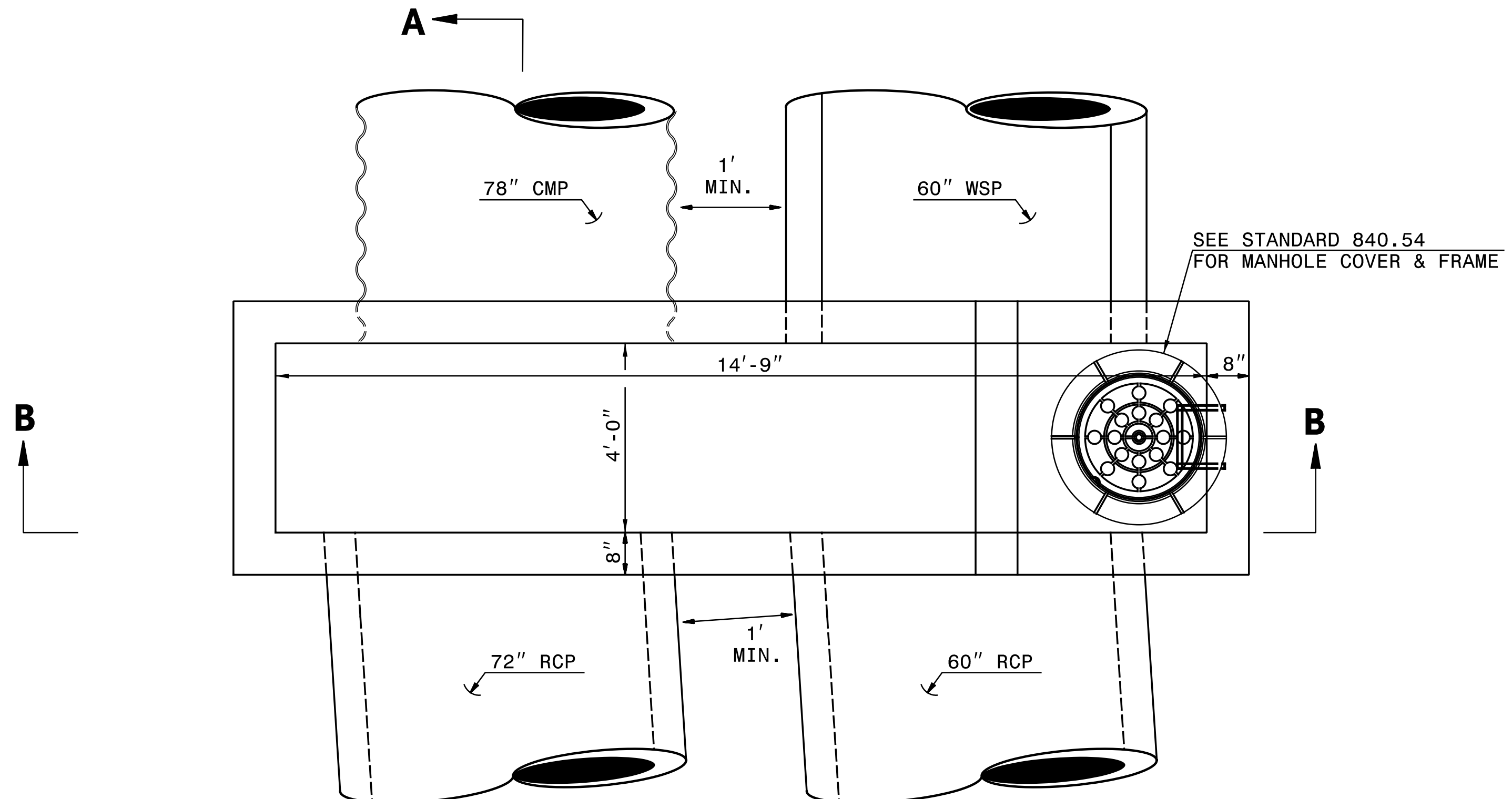


5/14/99

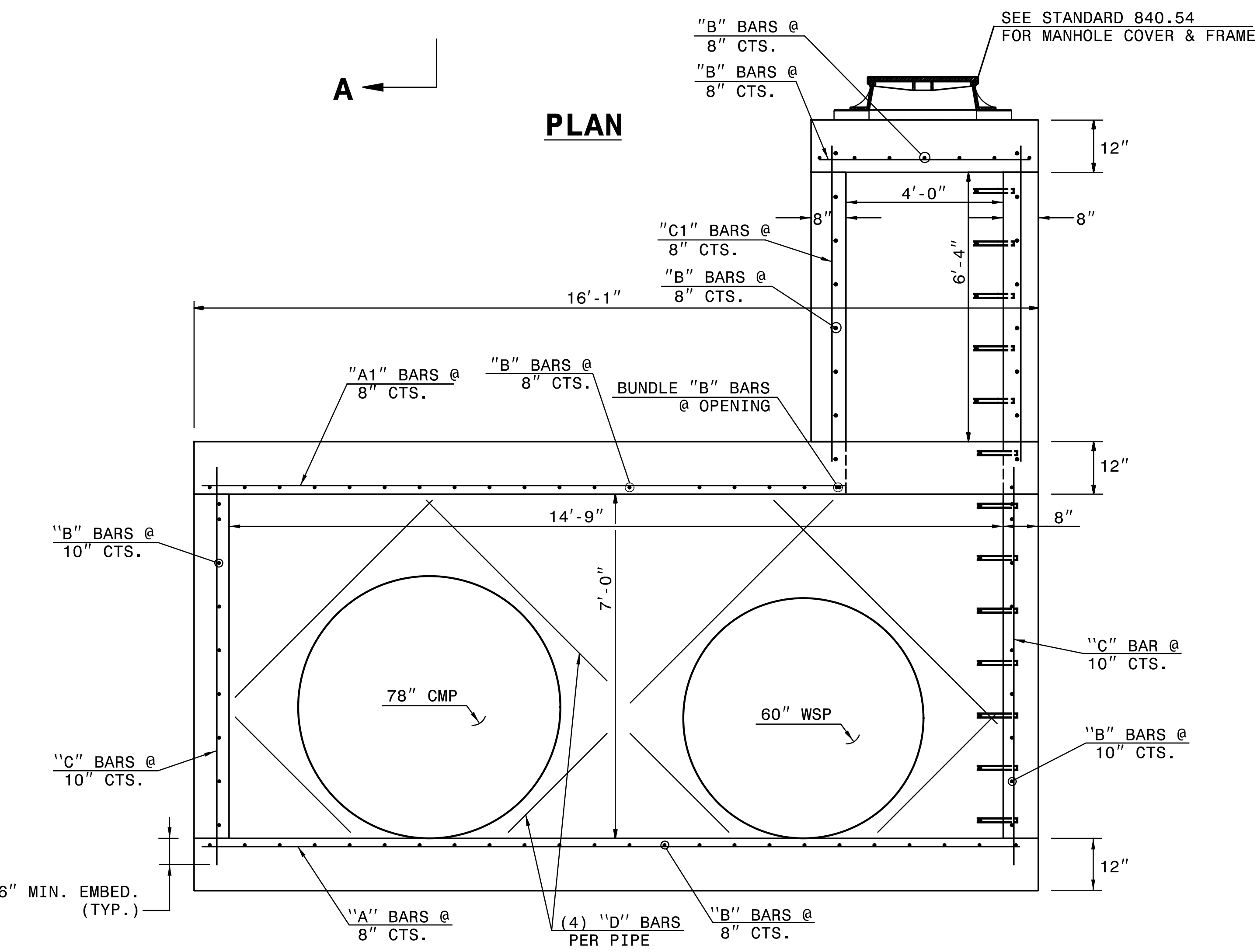
Prepared by

 VHB Engineering NC, P.C. (C-2705)
 940 Main Campus Drive, Suite 300
 Raleigh, NC 27606

PROJECT REFERENCE NO. U-5312	SHEET NO. 2C-7
STRUCTURAL DESIGN ENGINEER	
	
DOCUMENT NOT CONSIDERED FINAL UNLESS ALL SIGNATURES COMPLETED	

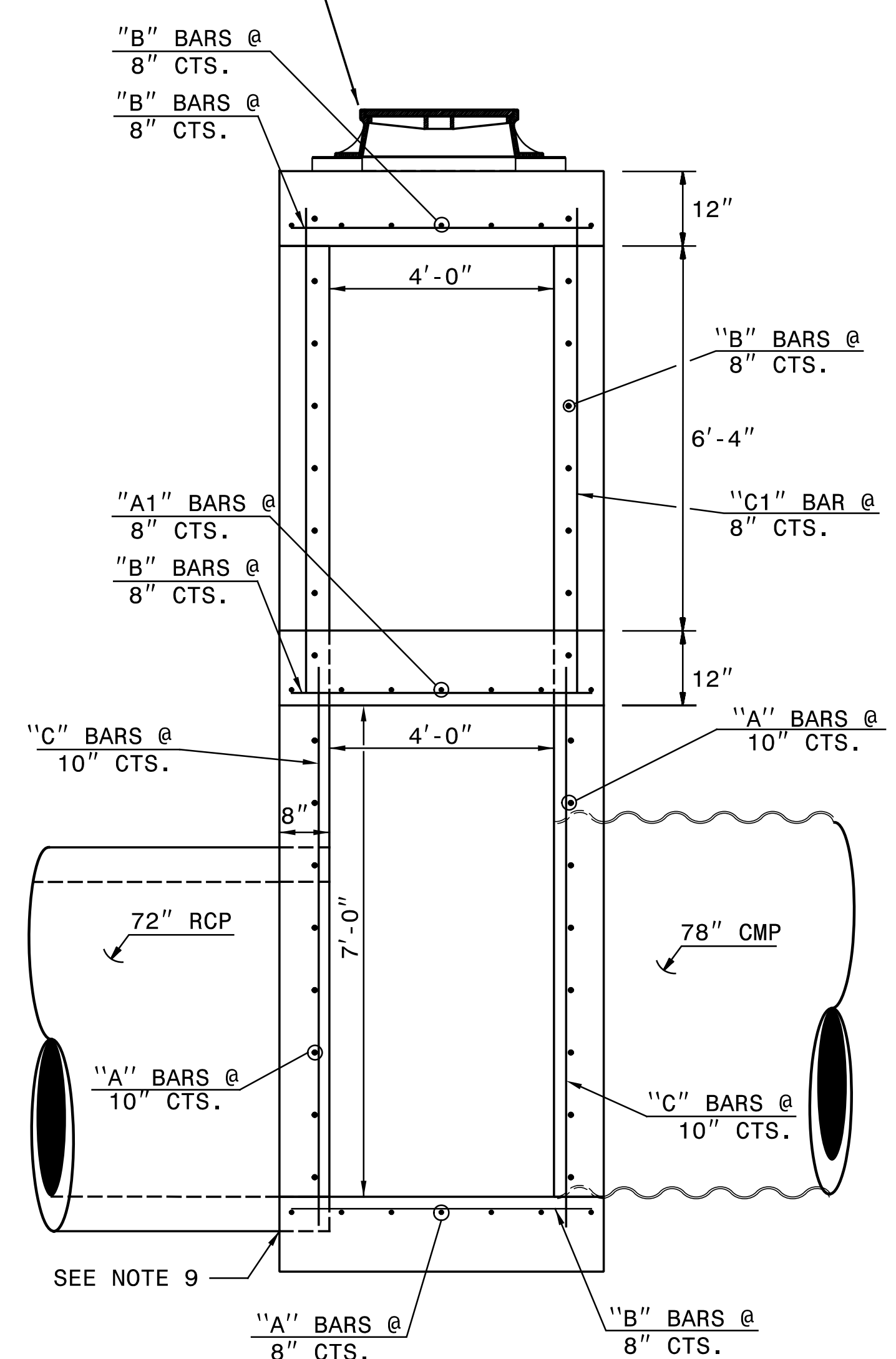


GENERAL NOTES:

1. USE CLASS "B" CONCRETE THROUGHOUT.
2. CONSTRUCT CONCRETE BOX IN ACCORDANCE WITH SECTION 825 OF THE STANDARD SPECIFICATIONS.
3. USE FORMS TO CONSTRUCT THE BOTTOM SLAB.
4. ADJUST LENGTH OF STEEL BARS AS NEEDED TO COMPENSATE FOR PIPES AND FRAME AND GRATE OPENINGS.
5. REINFORCING STEEL SHALL CONFORM TO ASTM A 615, GRADE 60.
6. CUT OR BEND STEEL BARS AS NEEDED TO PROVIDE 2" CLEARANCE.
7. HEIGHT OF JUNCTION BOX MAY BE ADJUSTED IN THE FIELD AS DIRECTED BY THE ENGINEER.
8. PROVIDE ALL CATCH BASINS OVER 3'-6" IN DEPTH WITH STEPS 12" ON CENTER. USE STEPS WHICH COMPLY WITH STD. DRAWING 840.66.
9. IF REINFORCED CONCRETE PIPE IS SET IN BOTTOM SLAB OF BOX, ADD TO SLAB AS SHOWN ON STD. NO. 840.00.
10. ALL REINFORCING SHALL HAVE 2" MINIMUM COVER UNLESS OTHERWISE NOTED.
11. BUNDLE THE FIRST "C" BARS ON BOTH SIDES OF ANY PIPE OPENING.
12. SEAL JOINTS WITH A FLEXIBLE BUTYL RUBBER BASE CONFORMING TO FEDERAL SPECIFICATION SS-S-21A, AASHTO M-198, TYPE B - BUTYL RUBBER.



SEE STANDARD 840.54 FOR MANHOLE COVER & FRAME



BILL OF MATERIALS

BAR	QTY	SIZE	LENGTH	WEIGHT
A	27	#5	15'-9"	444
B	119	#5	5'-0"	621
C	58	#5	8'-0"	484
A1	9	#5	11'-1"	105
C1	28	#5	7'-4"	215
TOTAL REINF. STEEL (lbs.)				1970
TOTAL CONC. CU. YDS.				16.6

NO DEDUCTIONS HAVE BEEN MADE TO ACCOMMODATE PIPES.

NOTE: MANHOLE RISER NOT IN THIS SECTION BUT SHOWN FOR INFORMATION PURPOSES.

SECTION B-B

SECTION A-A

STRUCTURE #735
NOT TO SCALE

3/21/00 2312.Hyd..JBS.dgn
ksm