

6/2/2023

PROJECT REFERENCE NO. <b>U-5312</b>	SHEET NO. <b>2A-4</b>
ROADWAY DESIGN ENGINEER 	PAVEMENT DESIGN ENGINEER 

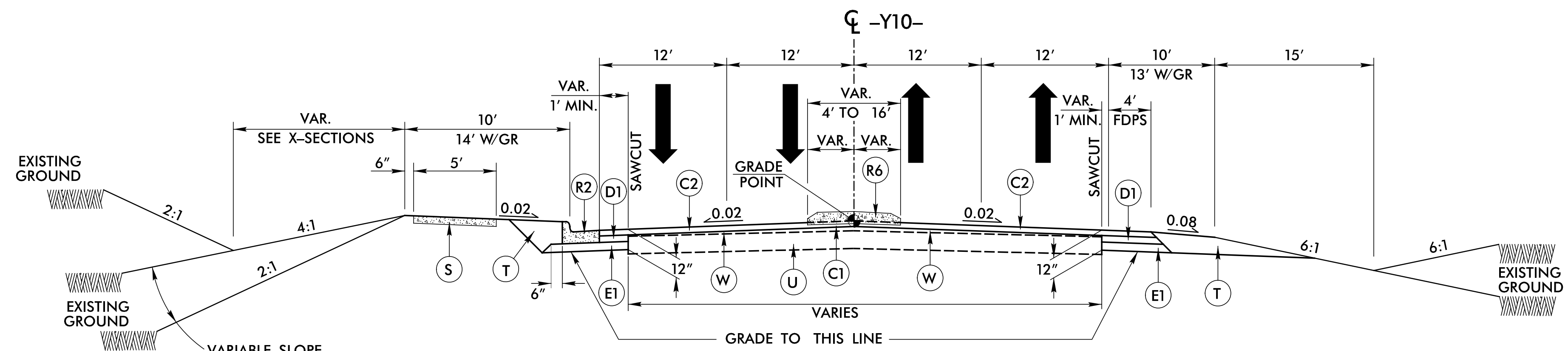
**DOCUMENT NOT CONSIDERED FINAL UNLESS ALL SIGNATURES COMPLETED**

Prepared by  
  
 SUNGATE DESIGN GROUP, P.A.  
 940 Main Campus Drive, Suite 500  
 Raleigh, NC 27606

**PAVEMENT SCHEDULE**

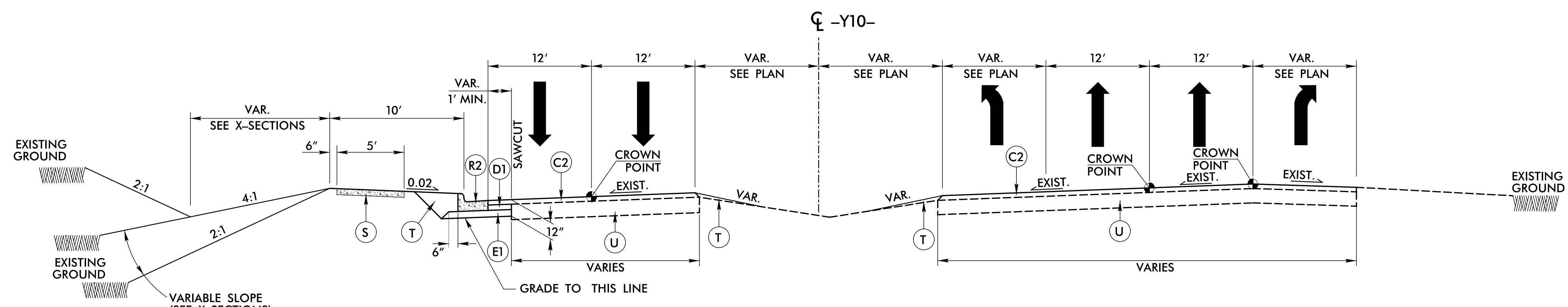
C1	1.5" S9.5C
C2	3" S9.5C
D1	4" I19.0C
E1	5" B25.0C
R2	2'-6" C&G
R6	5" CONC. ISLAND (KEYED IN)
S	4" CONC. SIDEWALK
T	EARTH MATERIAL
U	EXIST. PAVEMENT
W	WEDGING

NOTE: PAVEMENT EDGE SLOPES ARE 1:1 UNLESS SHOWN OTHERWISE



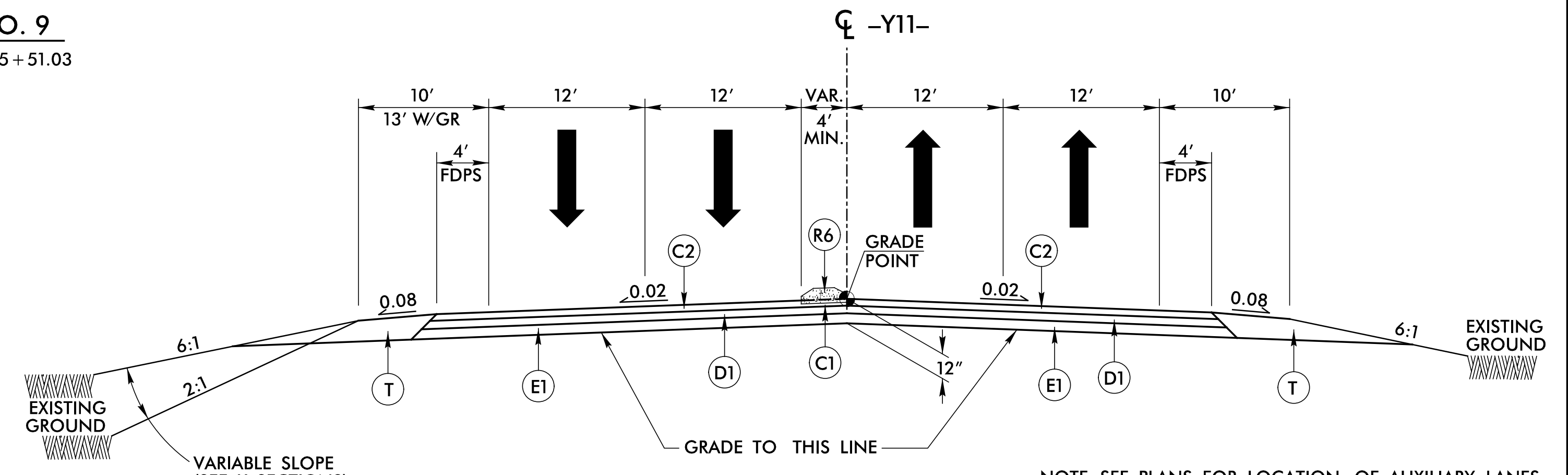
**TYPICAL SECTION NO. 8**  
 -Y10- STA. 10+51.00 TO STA. 23+43.94

NOTE: SEE PLANS FOR LOCATION OF AUXILIARY LANES AND LIMITS OF CONC. ISLANDS



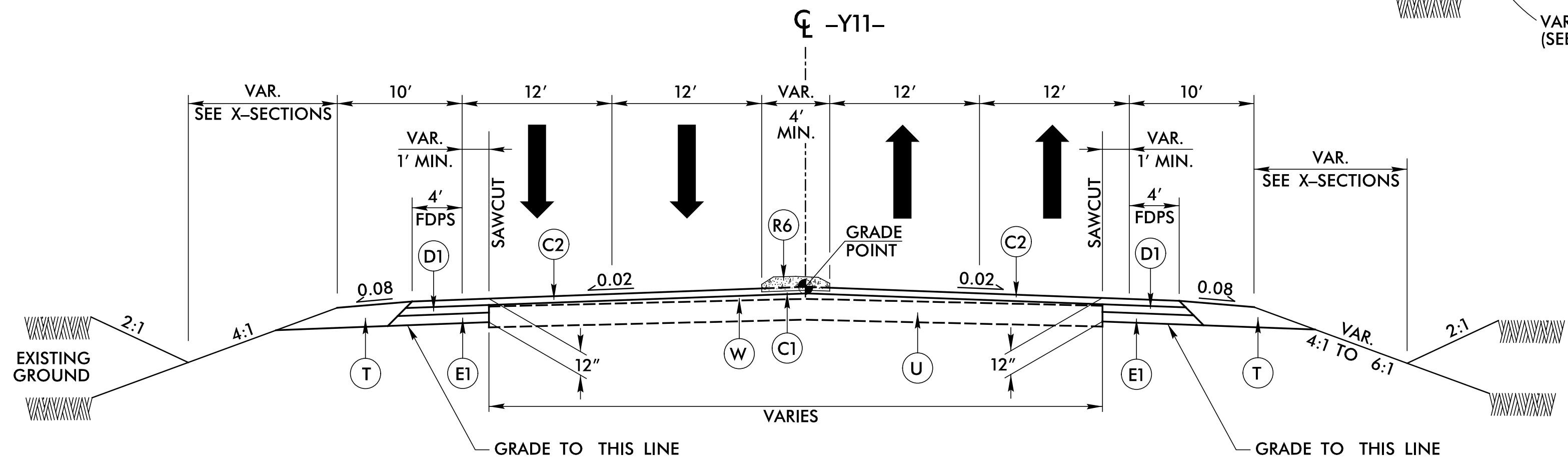
**TYPICAL SECTION NO. 9**  
 -Y10- STA. 23+43.94 TO STA. 25+51.03

NOTE: SEE PLANS FOR LOCATION OF AUXILIARY LANES



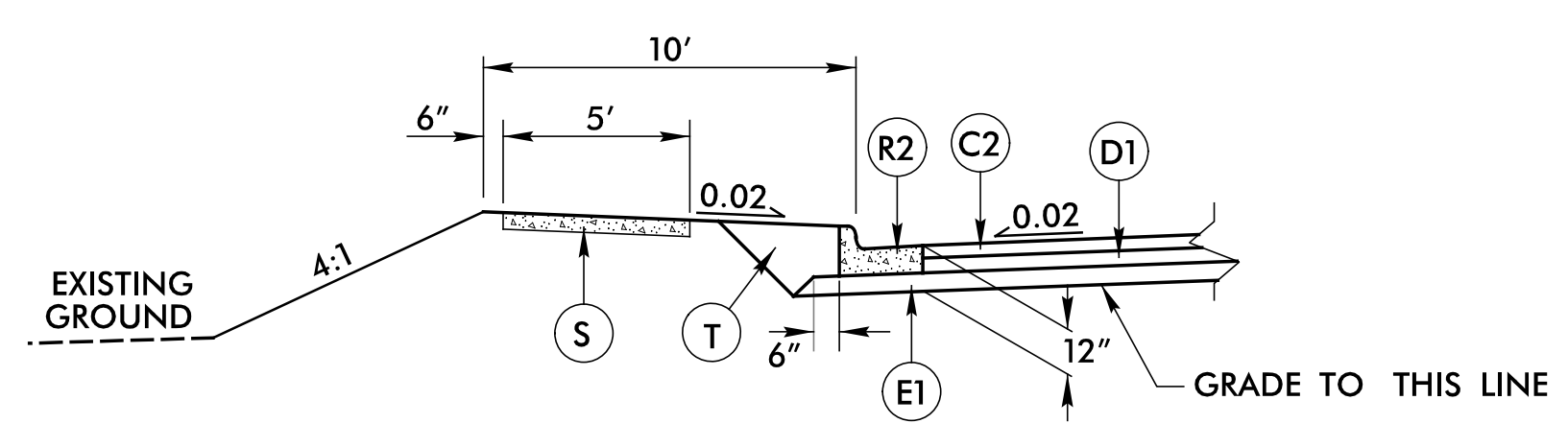
**TYPICAL SECTION NO. 10**  
 -Y11- STA. 10+42.00 TO STA. 13+53.59

NOTE: SEE PLANS FOR LOCATION OF AUXILIARY LANES AND LIMITS OF CONC. ISLANDS



**TYPICAL SECTION NO. 11**  
 -Y11- STA. 14+34.74 TO STA. 19+27.63

NOTE: SEE PLANS FOR LOCATION OF AUXILIARY LANES AND LIMITS OF CONC. ISLANDS



**TYPICAL SECTION NO. 11A**  
 USE IN CONJUNCTION WITH TYPICAL SECTION NO. 11  
 -Y11- STA. 14+34.74 TO STA. 15+11.21 LT  
 -Y11- STA. 14+34.74 TO STA. 15+06.55 RT (MIRROR)

7/1/2023  
 C:\Users\jgood\OneDrive\Documents\Projects\U5312\rdw\_tjg.dgn