

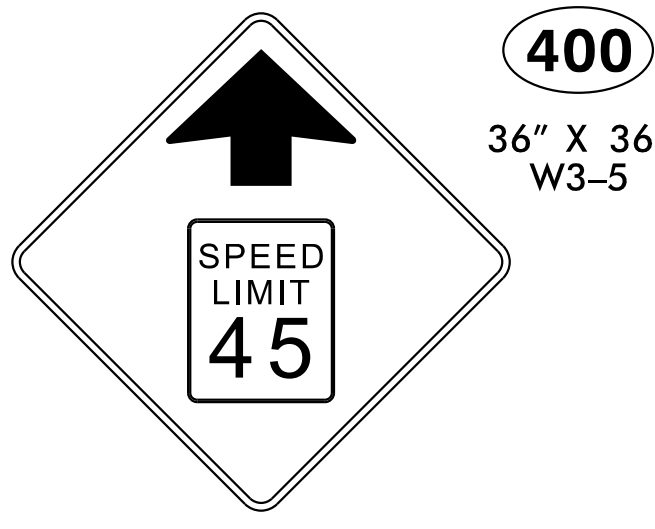
APPROVED: _____

DATE: _____

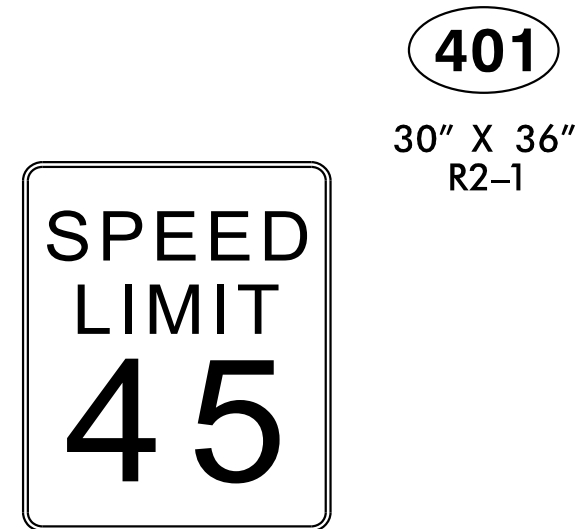
SEAL



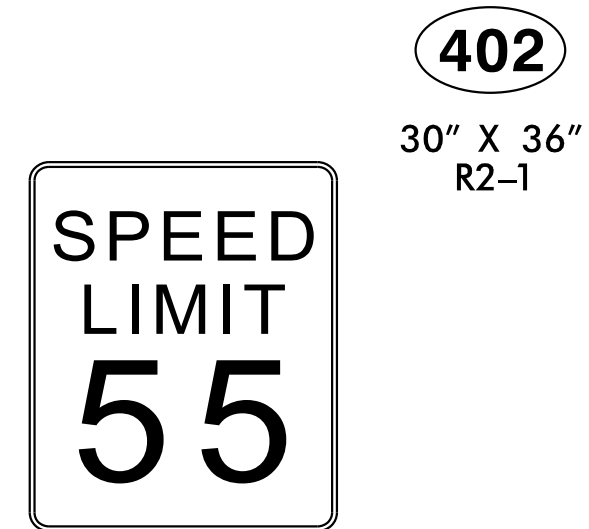
DOCUMENT NOT CONSIDERED FINAL
UNLESS ALL SIGNATURES COMPLETED



ONE "U" POST PER SIGN
QUANTITY REQ'D 3



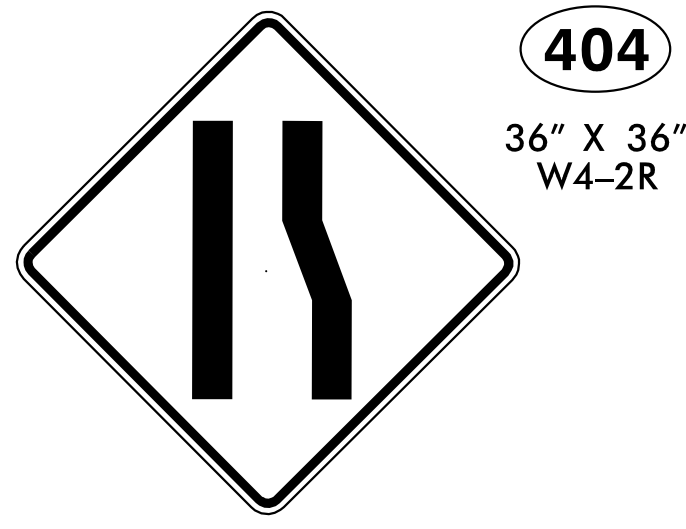
ONE "U" POST PER SIGN
QUANTITY REQ'D 3



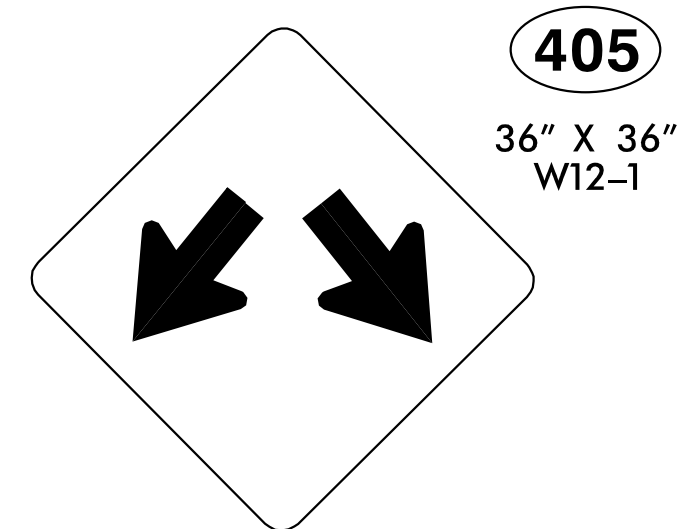
ONE "U" POST PER SIGN
QUANTITY REQ'D 8



TWO "U" POSTS PER SIGN
QUANTITY REQ'D 13



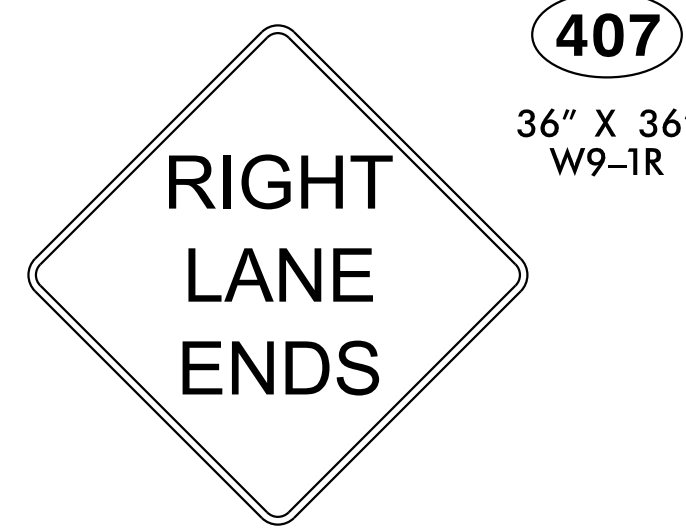
ONE "U" POST PER SIGN
QUANTITY REQ'D 1



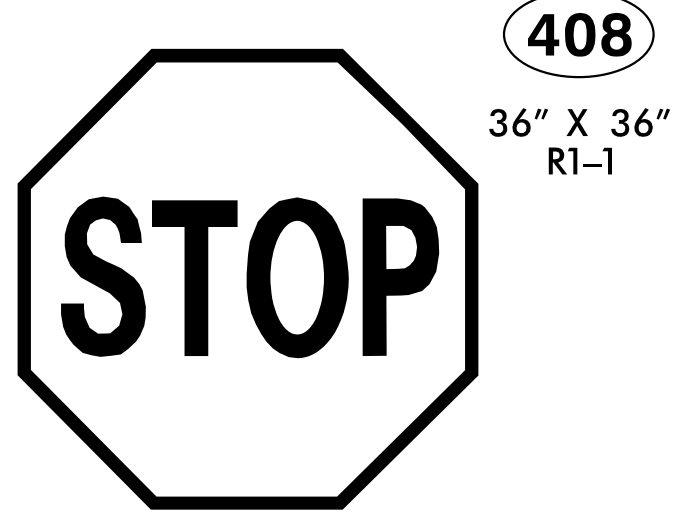
ONE "U" POST PER SIGN
QUANTITY REQ'D 23



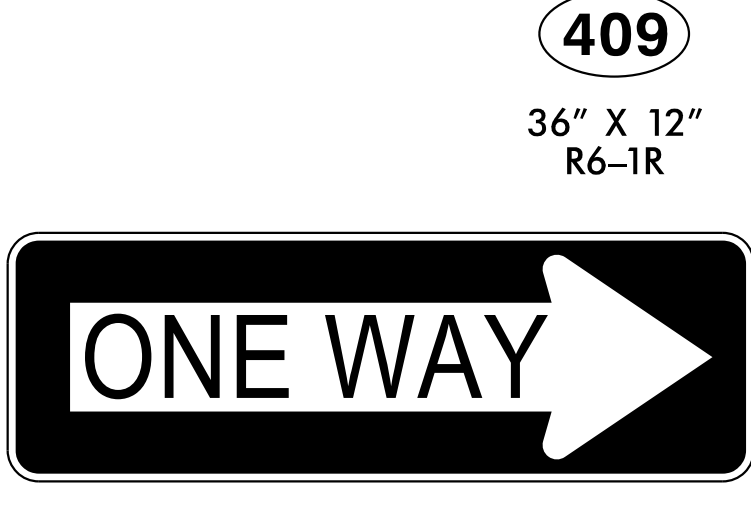
ONE "U" POST PER SIGN
QUANTITY REQ'D 1



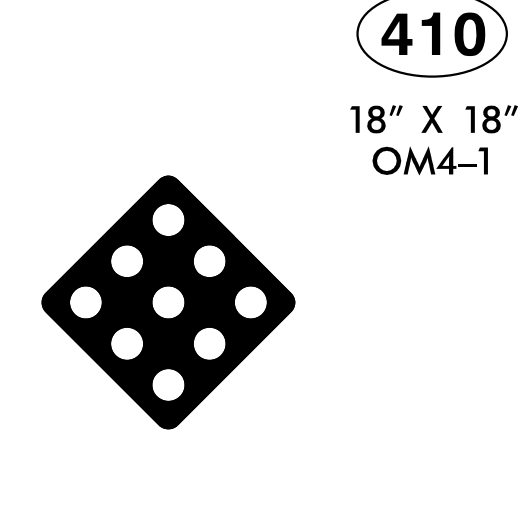
ONE "U" POST PER SIGN
QUANTITY REQ'D 1



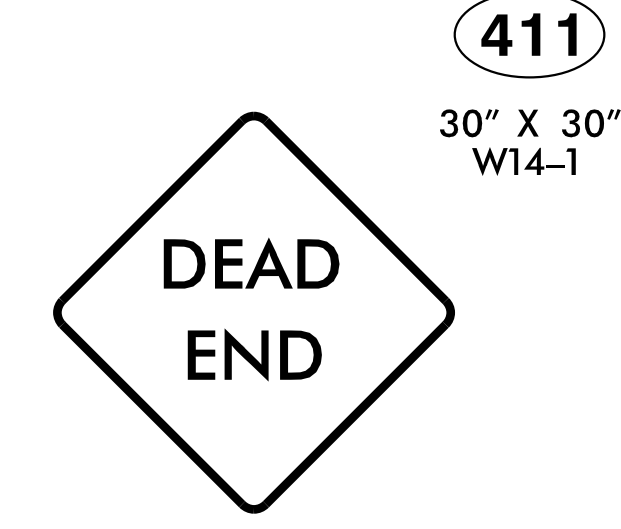
MOUNTED BELOW SIGN 409
IN 10 INSTALLATIONS
QUANTITY REQ'D 25



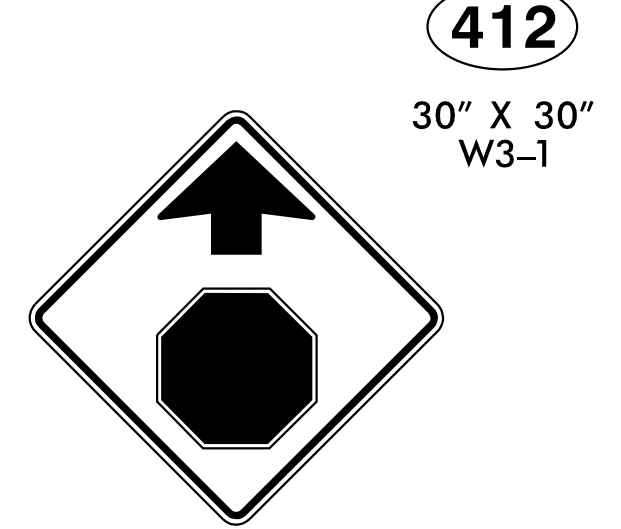
TWO "U" POSTS PER SIGN
QUANTITY REQ'D 12



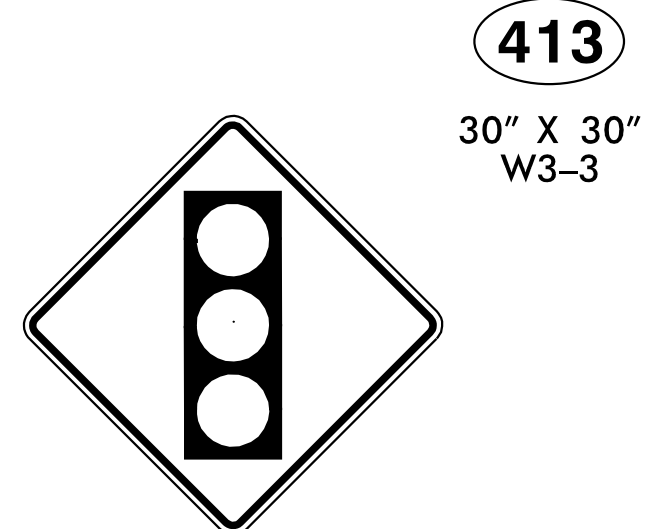
ONE "U" POST PER SIGN
QUANTITY REQ'D 18



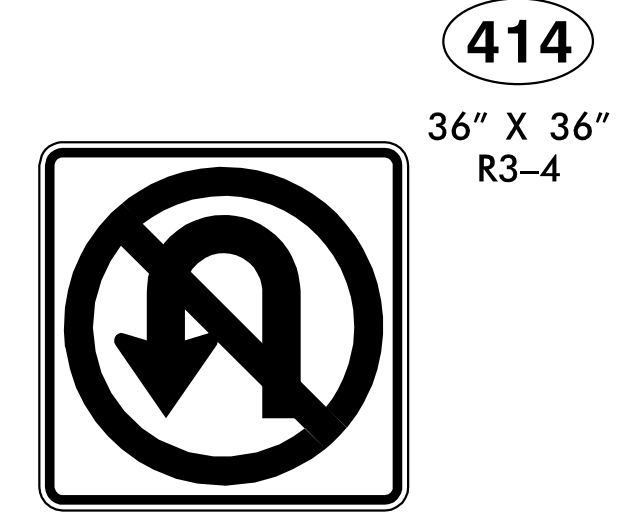
ONE "U" POST PER SIGN
QUANTITY REQ'D 4



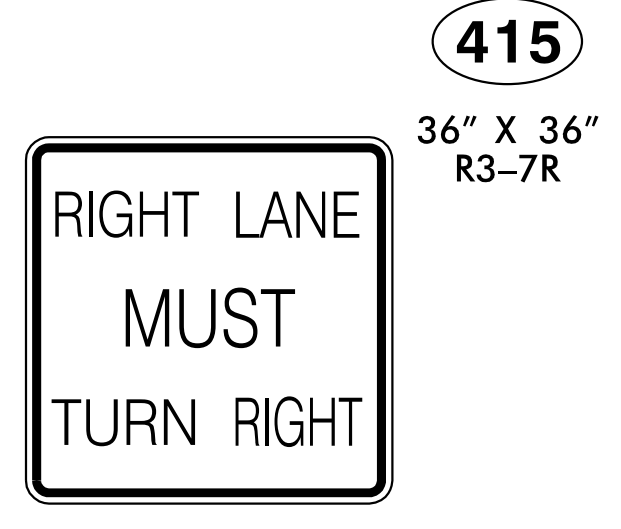
ONE "U" POST PER SIGN
QUANTITY REQ'D 6



ONE "U" POST PER SIGN
QUANTITY REQ'D 5



ONE "U" POST PER SIGN
QUANTITY REQ'D 4



ONE "U" POST PER SIGN
QUANTITY REQ'D 2

K:\RAL_Roadway\01036479 - R-5705A - NC 55\Signing and Delineation\Plans\5705A_rdy_sgn_03A.dgn

8/9/2023

Kimley»Horn

TYPE "E" SIGNS