

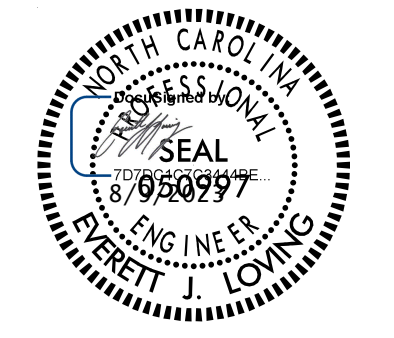
Kimley » Horn
421 FAYETTEVILLE STREET, SUITE 600
RALEIGH, N.C. 27601. NC LICENSE #F-0102

TIP NO.	SHEET NO.
R-5705A	PMP-19

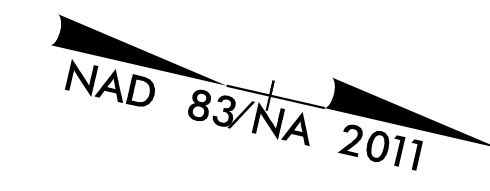
APPROVED: _____

DATE: _____

SEAL

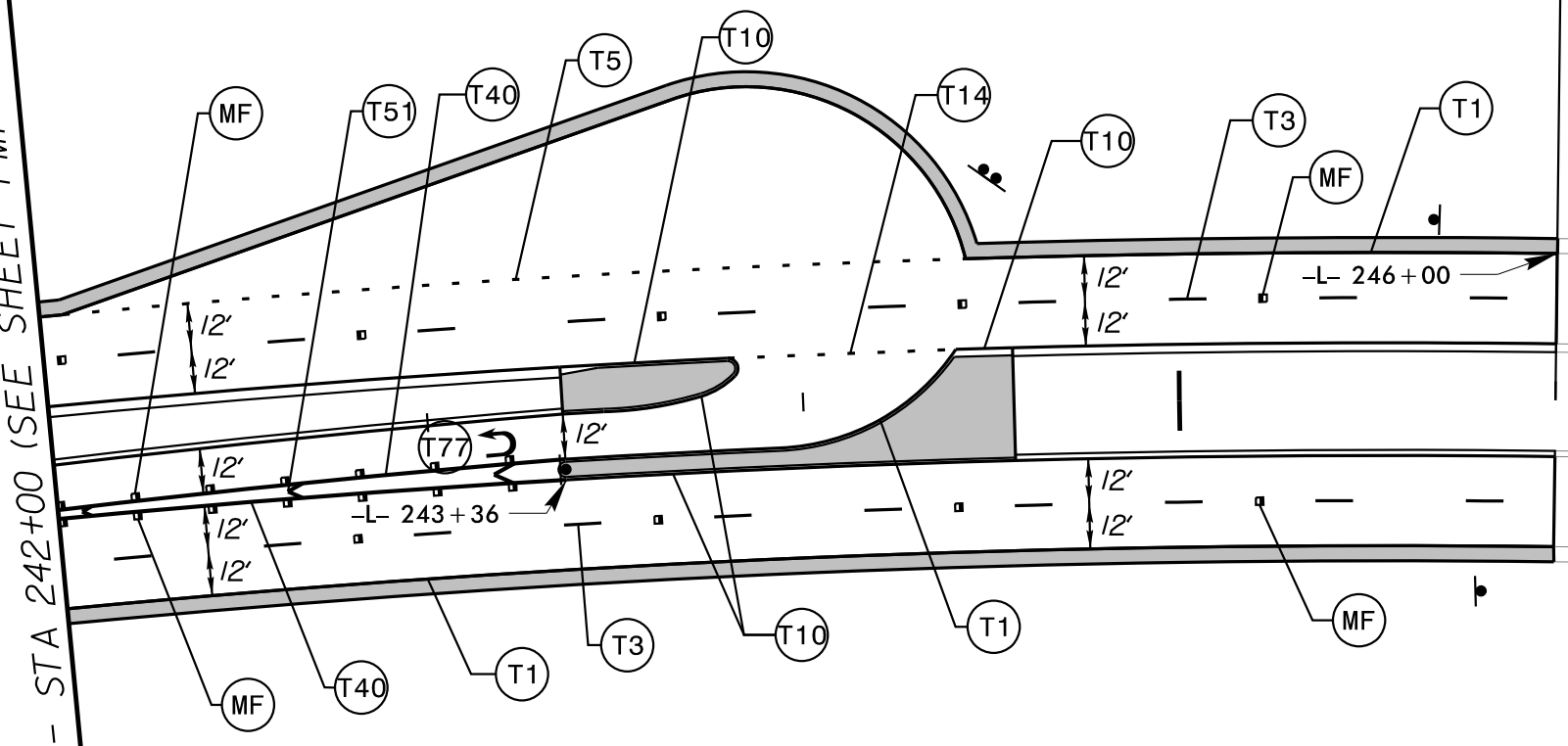


**DOCUMENT NOT CONSIDERED FINAL
UNLESS ALL SIGNATURES COMPLETED**



K:\PAL_Roadway\01036479 - R-5705A - NC 55\Signing and Definition\Plans\R5705A_rdy_pmp_psh_09.dgn
8/9/2023

MATCHLINE -L- STA 242+00 (SEE SHEET PMP-18)



END TIP PROJECT R-5705A
 BEGIN TIP PROJECT R-5705B (BY OTHERS)
 -L- POC Sta. 246+00.00 (BK) (R-5705A)
 -L- POC Sta. 246+00.00 (AH) (R-5705B)

-L- NC 55

PROPOSED STRIPING FROM R-5705B

245+00

250+00

255+00

PAVEMENT MARKING DETAIL