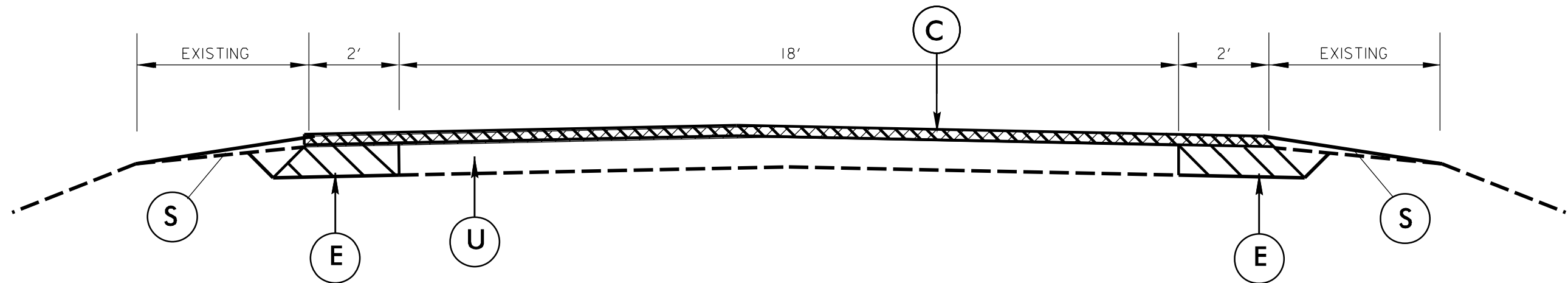


PAVEMENT SCHEDULE		S	SHOULDER RECONSTRUCTION ASB REQUIRED
C	1½" ASPHALT CONCRETE SURFACE COURSE, TYPE S9.5B, AT AN AVERAGE RATE OF 165 LBS. PER SQ. YD.	U	EXISTING PAVEMENT
E	5.5" ASPHALT CONCRETE BASE COURSE, TYPE B25.0C, AT AN AVERAGE DEPTH OF 627 LBS. PER SQ. YD.	V	1½" MILLING

PROJECT REFERENCE NO.	SHEET NO.
2024CPT.05.02.10351.1, ETC.	5



TYPICAL SECTION NO.3

* Widen map # 3

NOTE: PROVIDE A SAFE SHOULDER AFTER WIDENING OPERATION AS DIRECTED BY ENGINEER.

FULL SHOULDER RECONSTRUCTION SHALL BE ACCOMPLISHED AFTER RESURFACING.

CONTRACTOR MUST CUT WEEP HOLES DURING WIDENING.