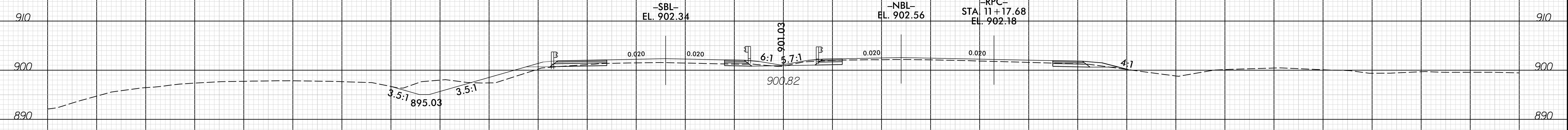
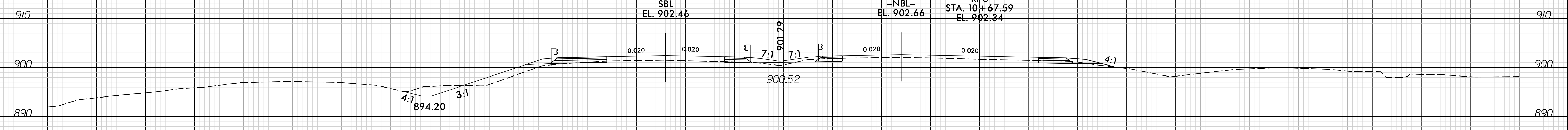


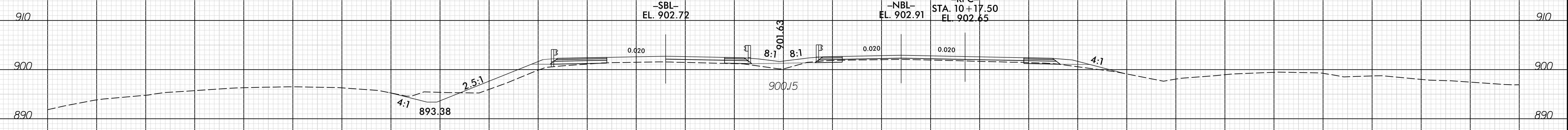
30 + 00.00



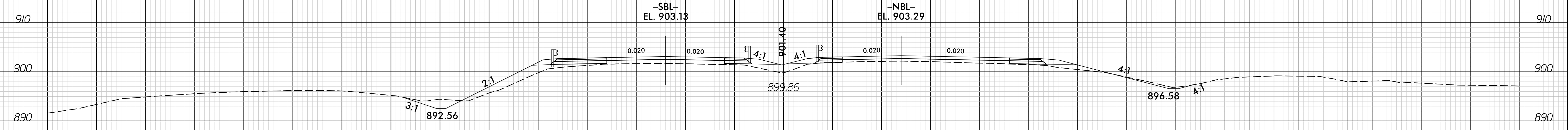
29 + 50.00



29 + 00.00



28 + 50.00



-EL-

8:27:46 AM
 I:\16160\05_NCDOT_B5783_US29-70\DESIGN\B5783_Roadway\XSC\16160\05_XX_XPL.dgn
 User: jason

150 140 130 120 110 100 90 80 70 60 50 40 30 20 10 0 10 20 30 40 50 60 70 80 90 100 110 120 130 140 150