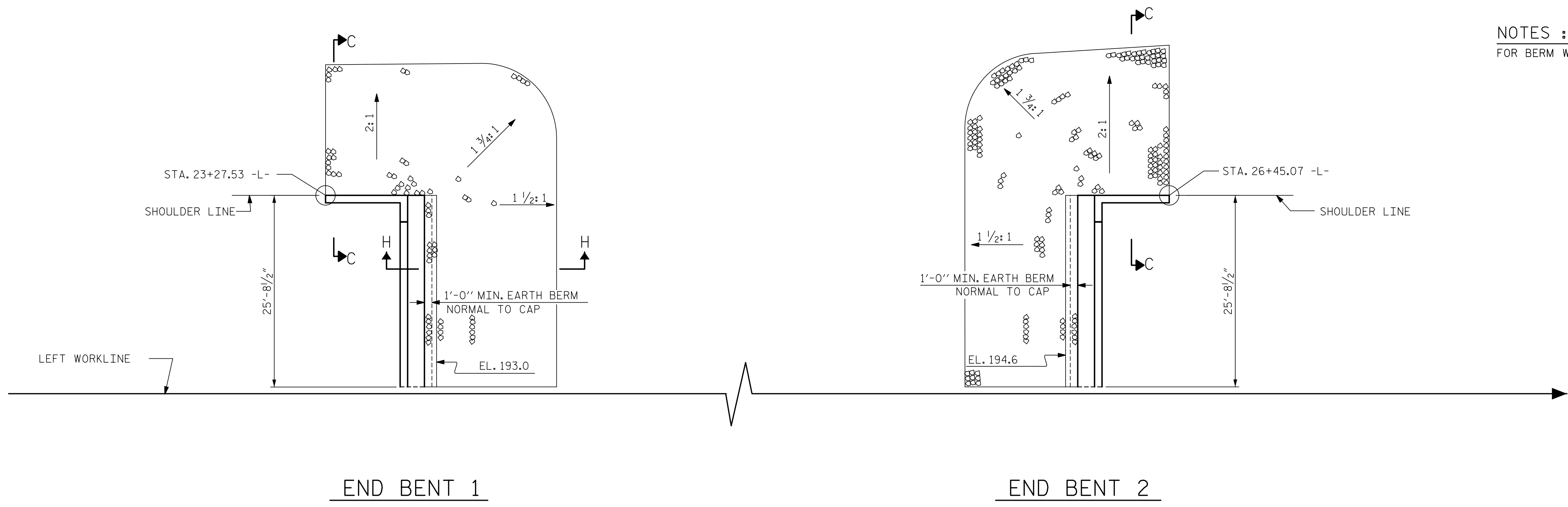


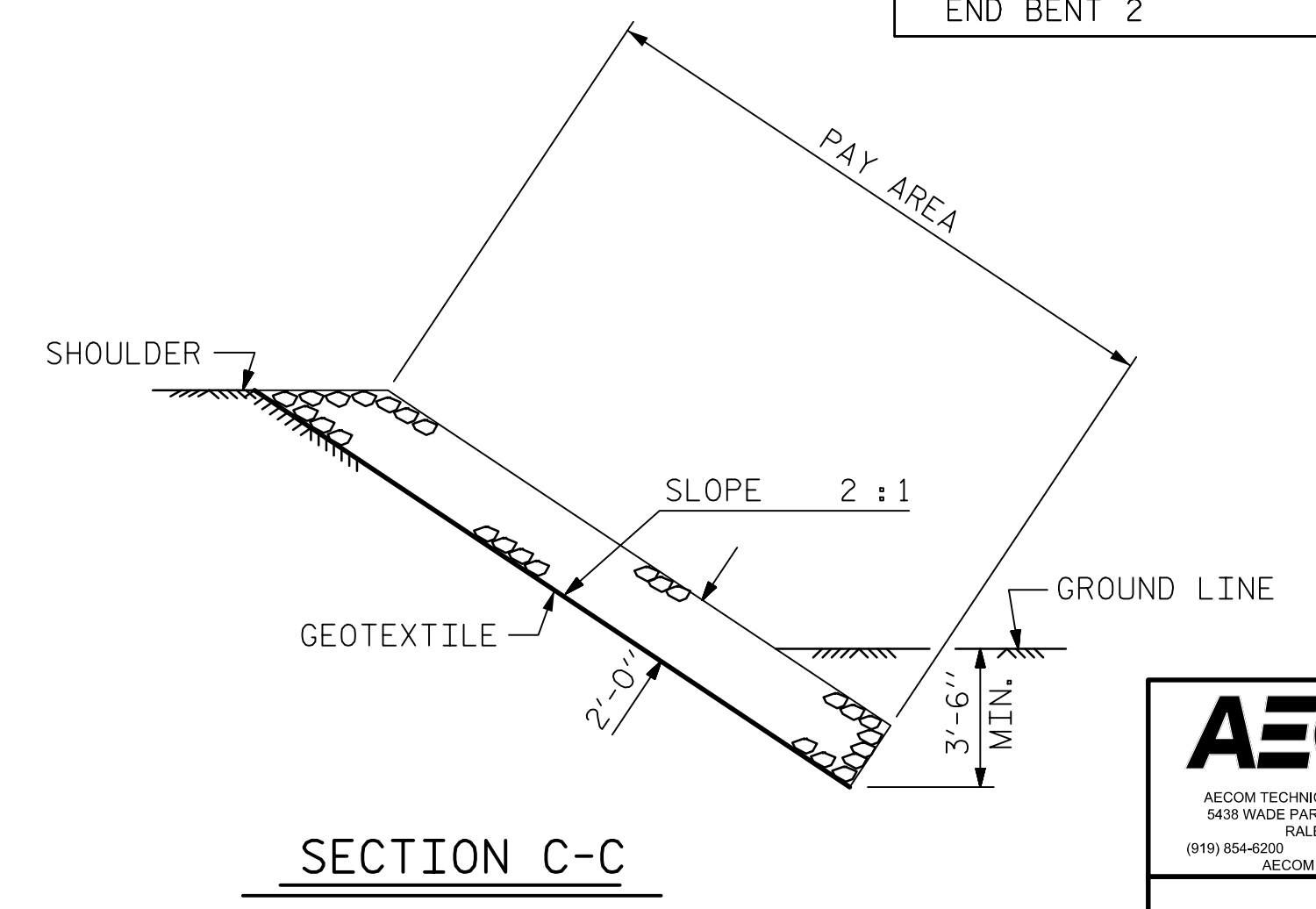
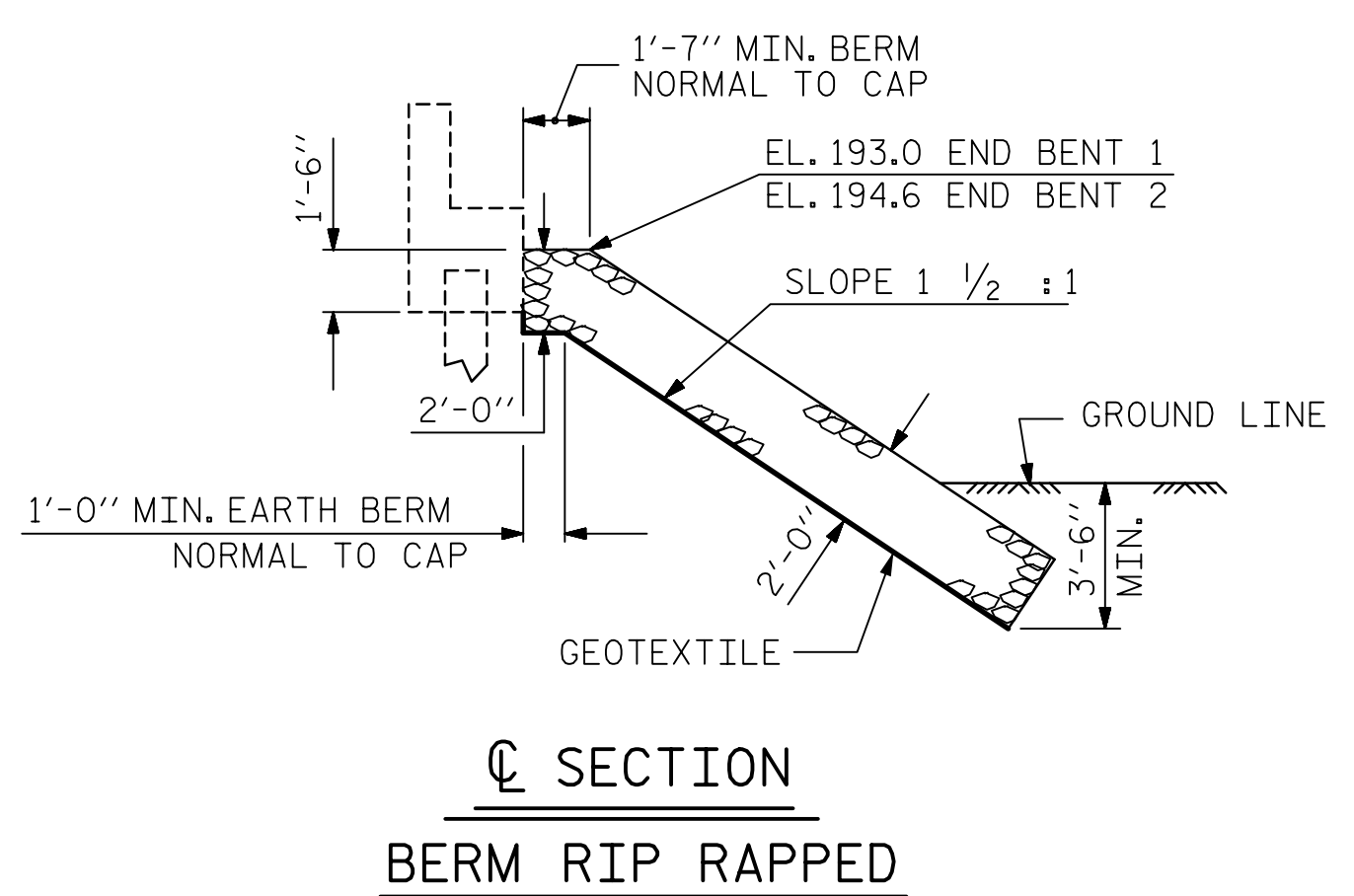
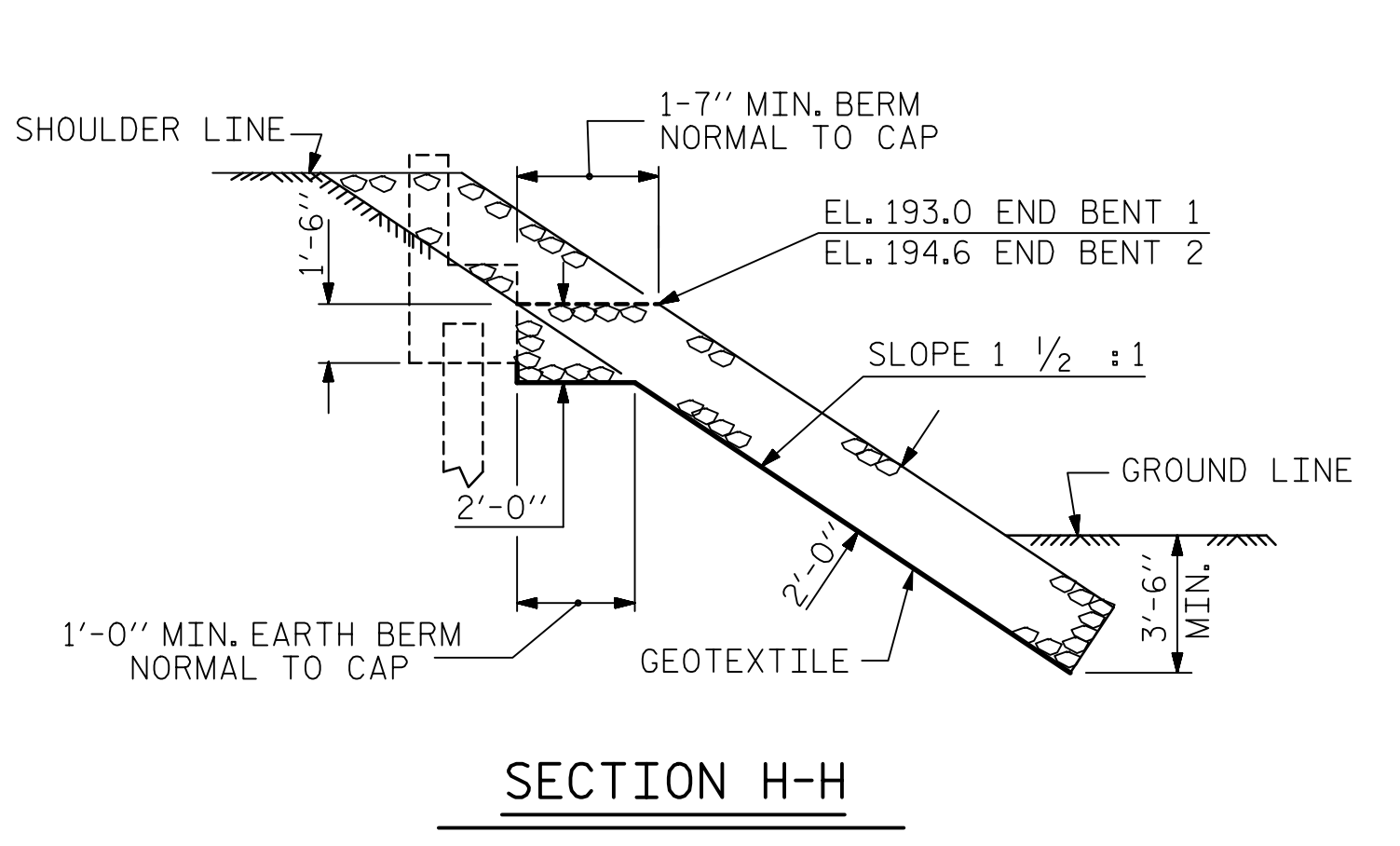
DATE: 2/9/2023  
TIME: 1:58:03 PM

USER: jcmorrison  
DGN: pva\jcmorrison\proj\pva\jcmorrison\AECOM\DS21\MA\_2020\Drawings\0609254-U-5748-Upon Mill\900-CAD\GIS\900-CAD\Y0\_MCDOT\_TIP\Structures\04\_Drawings\02\_099\_U-5748-SM\FR\_52-49\_91031

NOTES :  
FOR BERM WIDTH DIMENSIONS, SEE GENERAL DRAWING.



ESTIMATED QUANTITIES		
BRIDGE @ STA. 24+88.00 -L- LEFT LANE	RIP RAP CLASS II (2'-0" THICK)	GEOTEXTILE FOR DRAINAGE
	TONS	SQUARE YARDS
END BENT 1	112	124
END BENT 2	122	135



PROJECT NO. U-5748  
WAKE COUNTY  
 STATION: 24+88.00 -L-

ASSEMBLED BY : A.R. VAN VUREN	DATE : 12/2022
CHECKED BY : J.C. MORRISON	DATE : 12/2022
DRAWN BY : REK 1/84	REV. 10/1/11 MAA/GM
CHECKED BY : RDU 1/84	REV. 12/21/11 MAA/GM
	REV. 12/17 MAA/THC

DOCUMENT NOT CONSIDERED  
FINAL UNLESS ALL  
SIGNATURES COMPLETED

**AECOM**  
AECOM TECHNICAL SERVICES OF NC, INC.  
 5438 WADE PARK BOULEVARD, SUITE 200  
 RALEIGH, NC 27607  
 (919) 854-6200 www.aecom.com  
 AECOM License No. F-0342

**John C. Morrison**  
 NORTH CAROLINA PROFESSIONAL ENGINEER  
 SEAL 030474  
 2/10/2023

STATE OF NORTH CAROLINA DEPARTMENT OF TRANSPORTATION RALEIGH					
STANDARD RIP RAP DETAILS (SOUTHBOUND LANES)					
REVISIONS					
NO.	BY:	DATE:	NO.	BY:	DATE:
1			3		
2			4		
SHEET NO. S2-49					TOTAL SHEETS 119