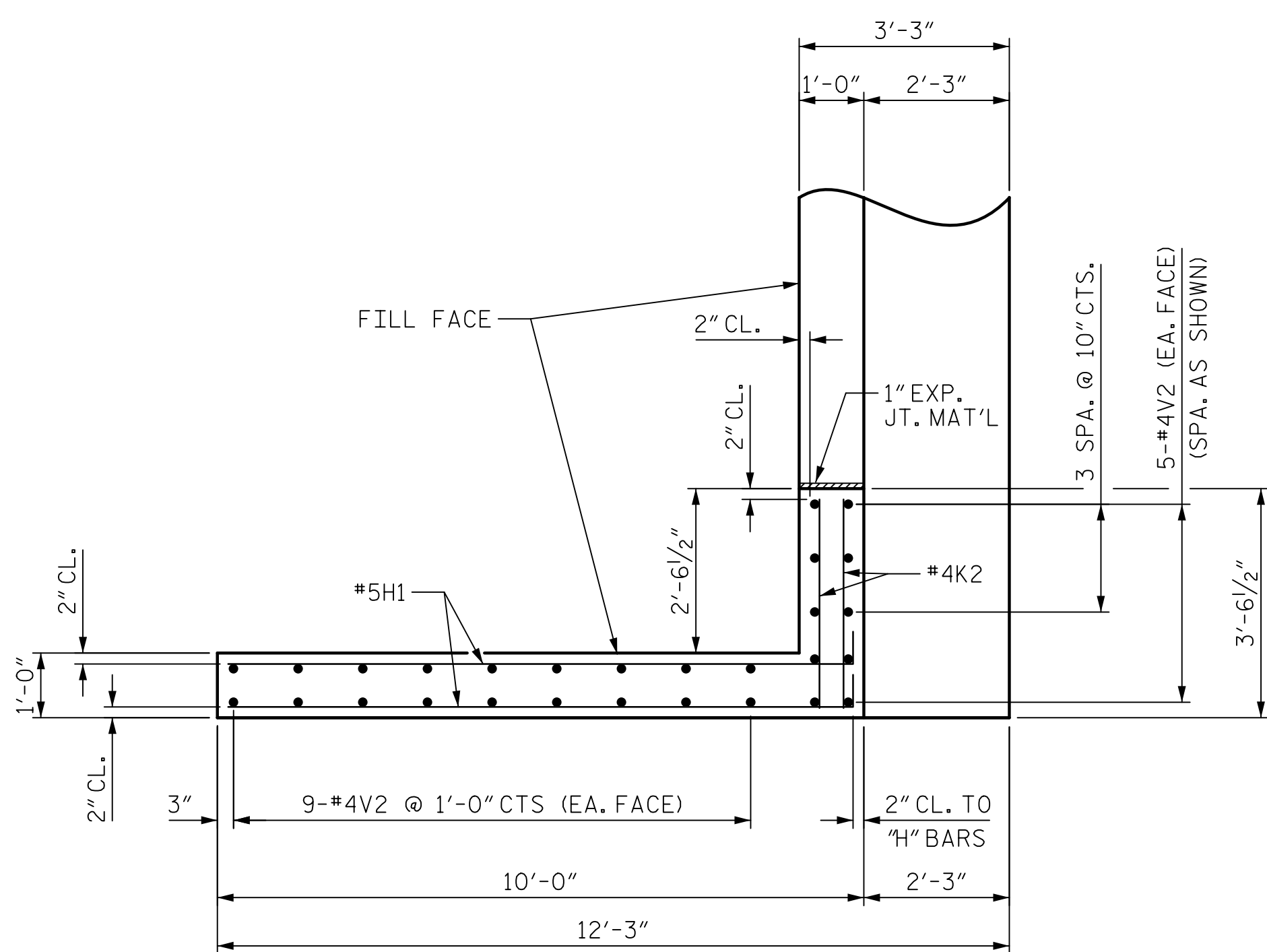
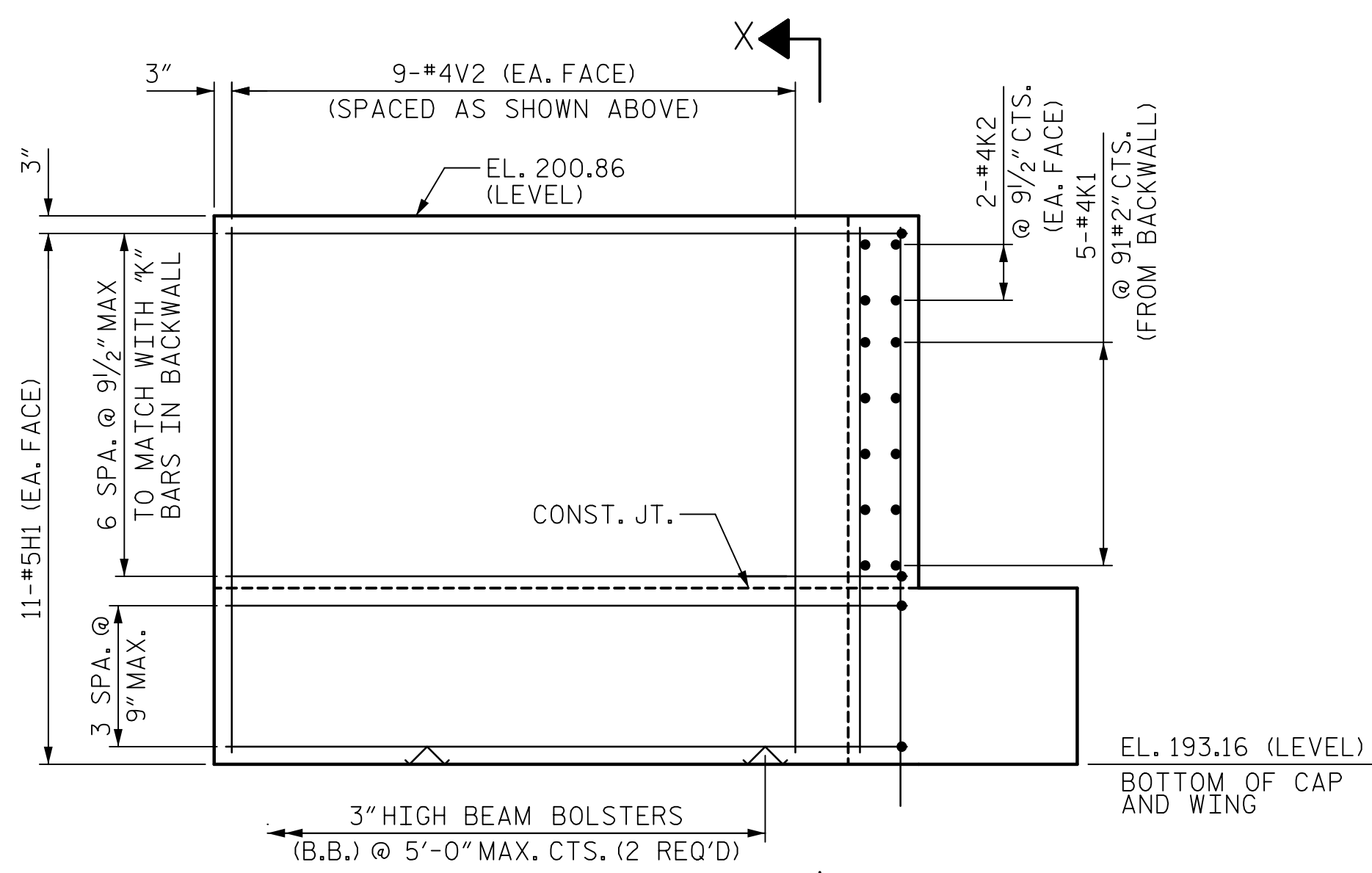


DATE: 2/9/2023
TIME: 10:05 PM

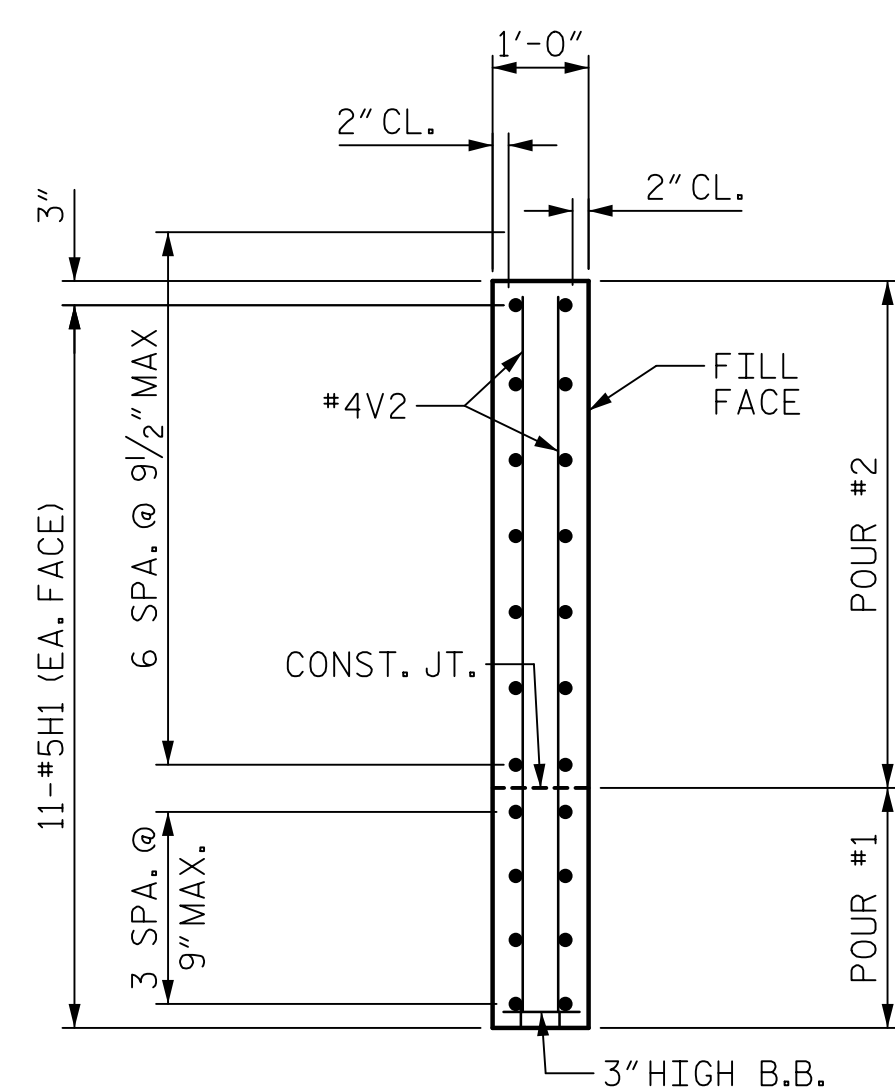
USER: pvt\jvc@com - not pvt\jvc@com Documents\60609754-U-5748 Upon WITH900-CAD GIS\910-CAD\YTO_MCDOT_TIF\Structures\04 Drawings\402_003_U-5748-SM\EBE_2_52-46_910131



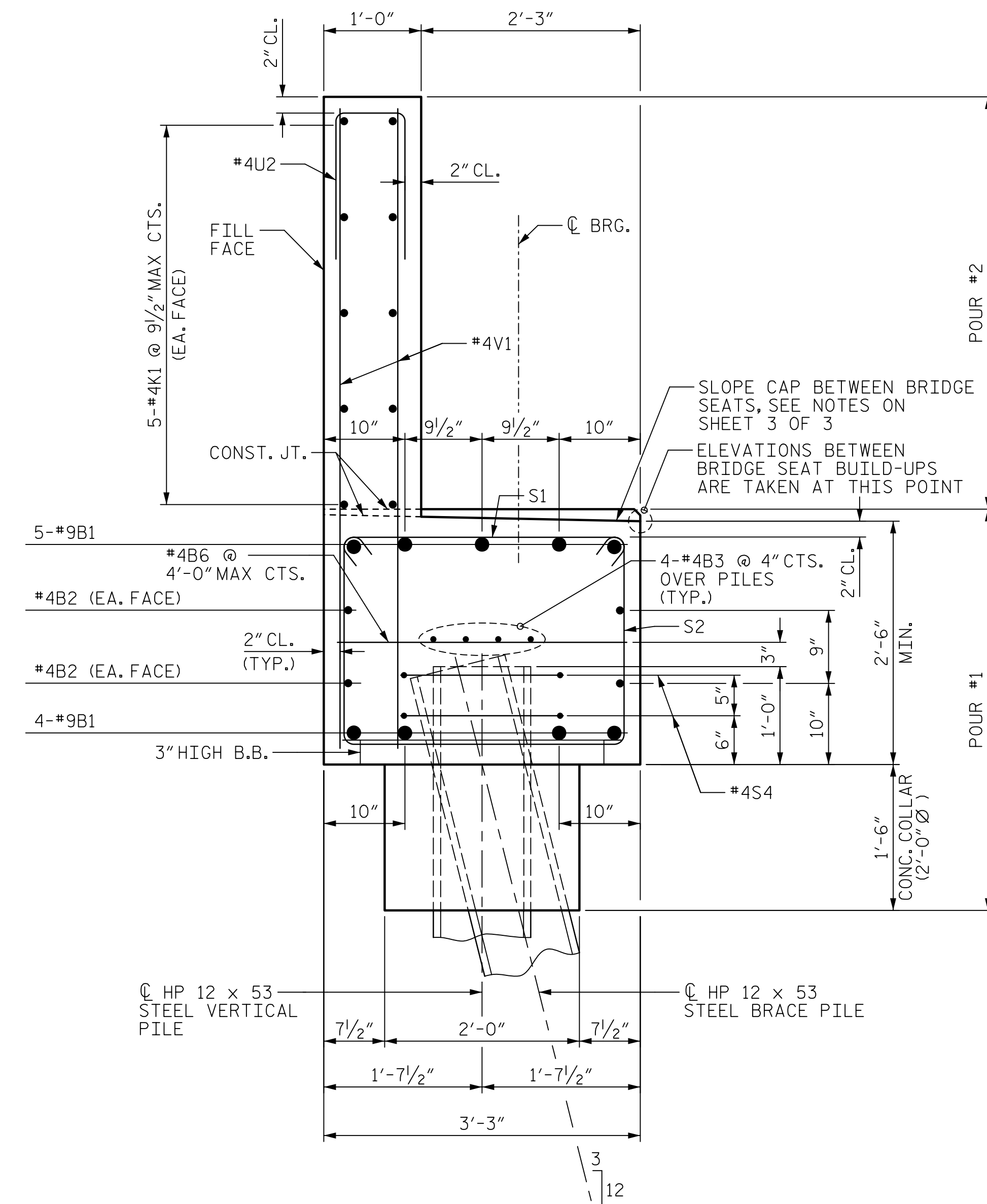
PLAN OF WING W1



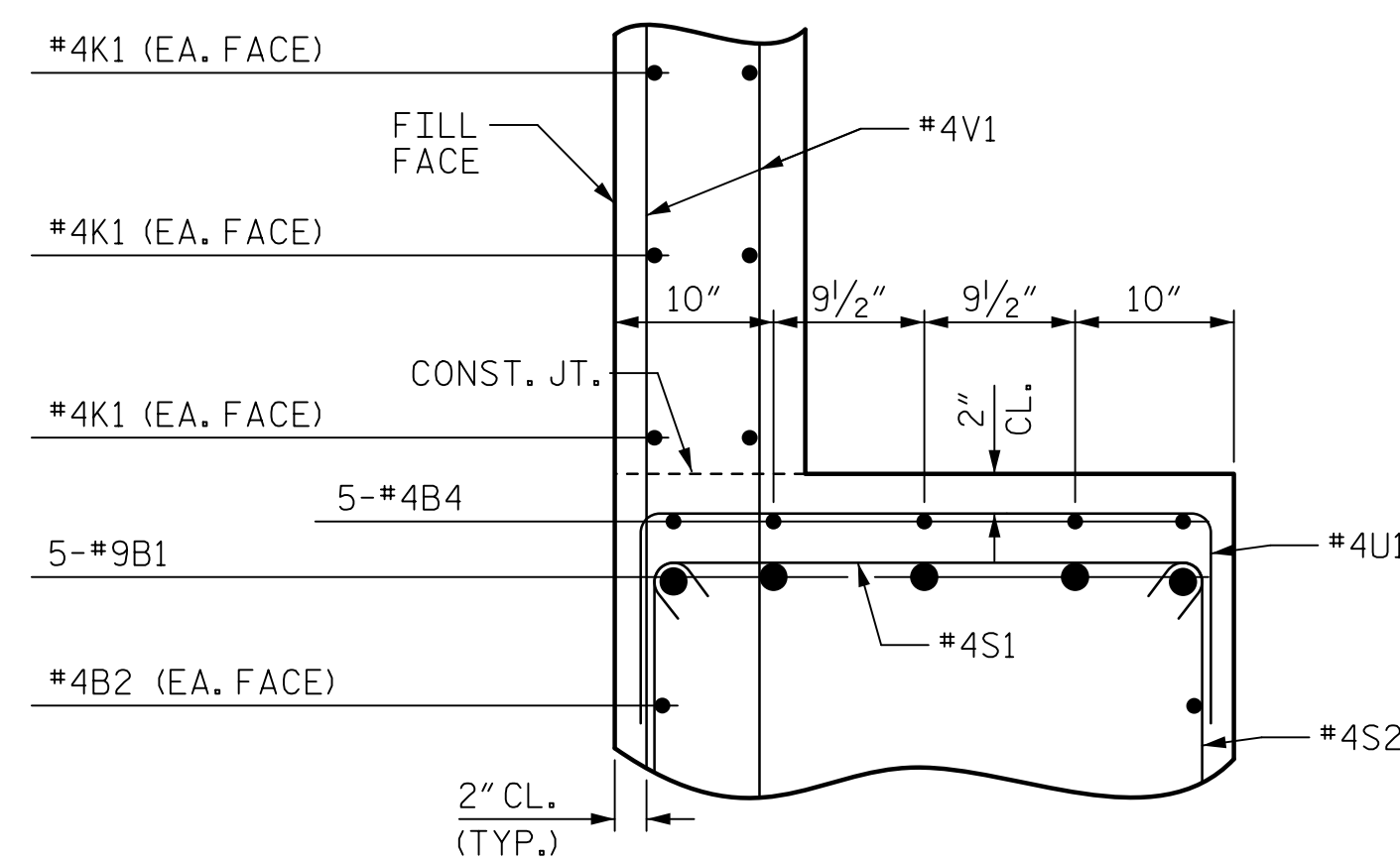
ELEVATION OF WING W2



SECTION X-X



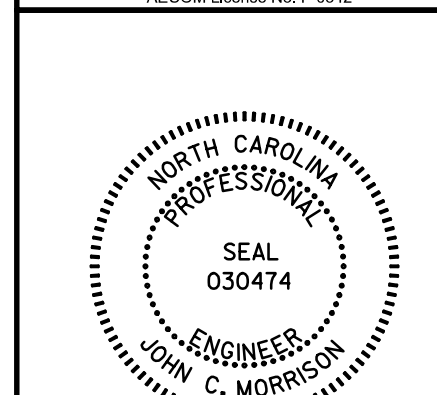
SECTION A-A



SECTION B-B

PROJECT NO. U-5748
WAKE COUNTY
STATION: 24+88.00 -L-

SHEET 2 OF 3



STATE OF NORTH CAROLINA
DEPARTMENT OF TRANSPORTATION
RALEIGH

SUBSTRUCTURE

END BENT 2

(SOUTHBOUND LANES)

REVISIONS

NO.	BY:	DATE:	NO.	BY:	DATE:
1			3		
2			4		

SHEET NO.
S2-46
TOTAL SHEETS
119

DRAWN BY : A.R. VAN VUREN DATE : 12/2022
CHECKED BY : J.C. MORRISON DATE : 12/2022
DESIGNED BY : A.R. VAN VUREN DATE : 12/2022
DESIGN CHECKED BY : J.C. MORRISON DATE : 12/2022

DOCUMENT NOT CONSIDERED
FINAL UNLESS ALL
SIGNATURES COMPLETED

DocuSigned by:
John C. Morrison
2/10/2023