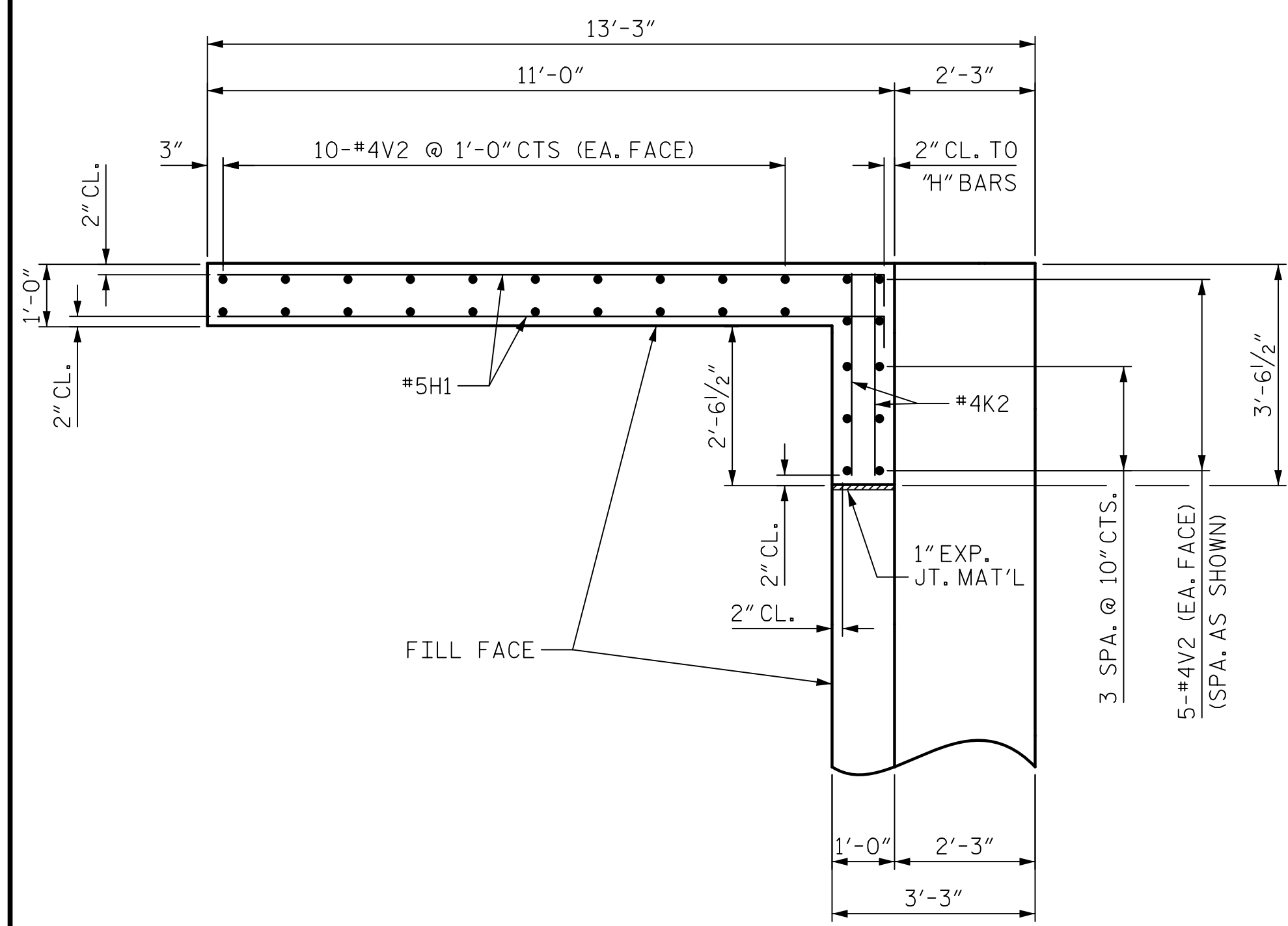
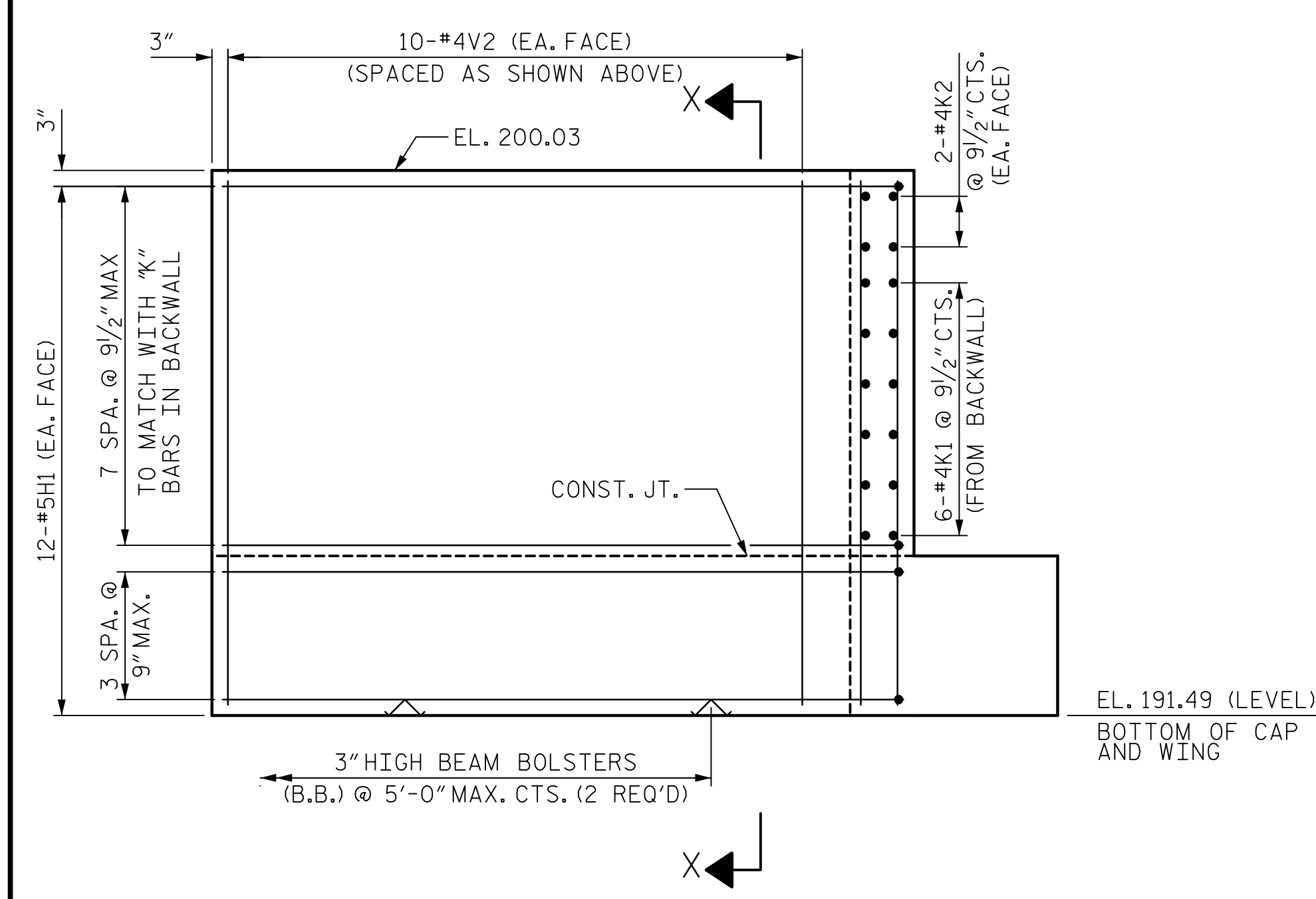


DATE: 2/9/2023
TIME: 10:44 PM

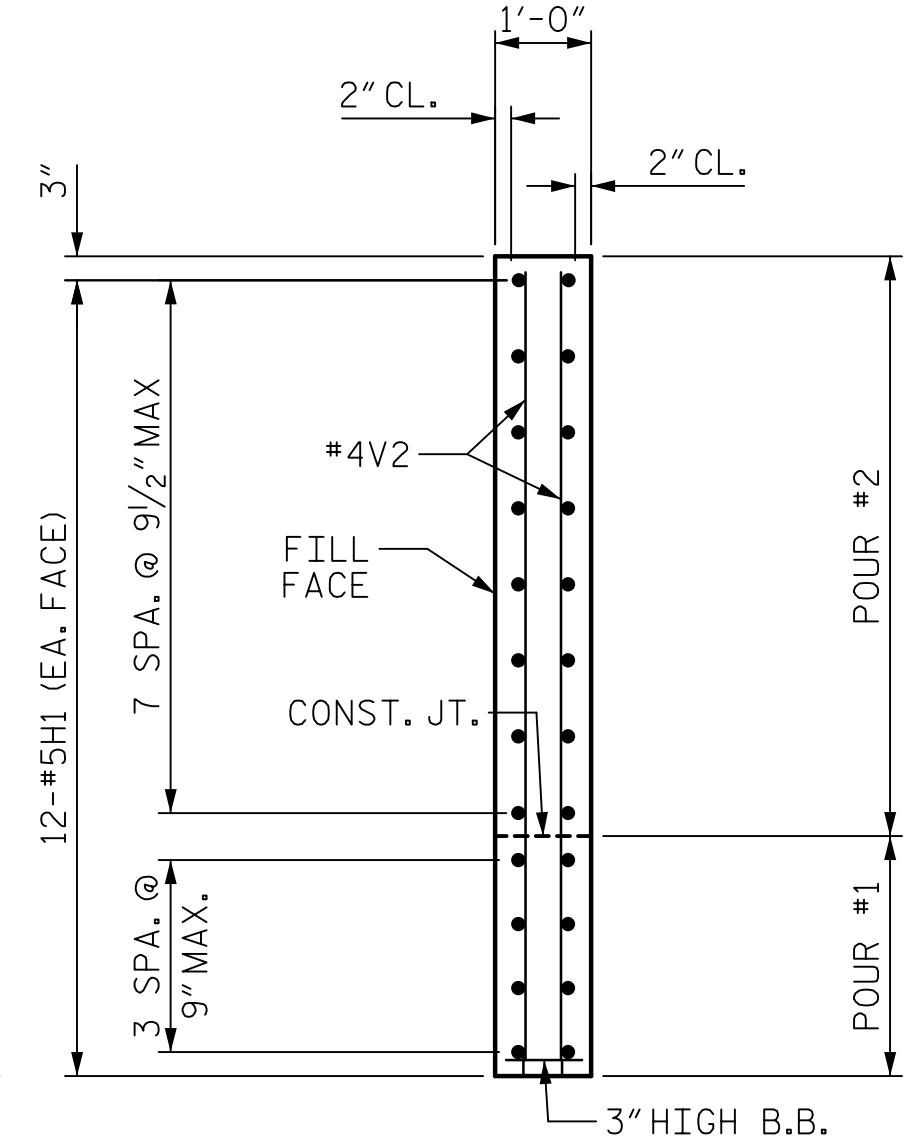
USER: c:\pvt\jcv\pvt\paw\paw@aecom.com AECOM\DS21\MA_2020\Documents\60609754-U-5748 Ugon MIT900-CAD GIS910-CADY0_MCDOT-TIF\Structures\04 Drawings\402_CTS_U-5748-SM\EBI_2_52-37_91031



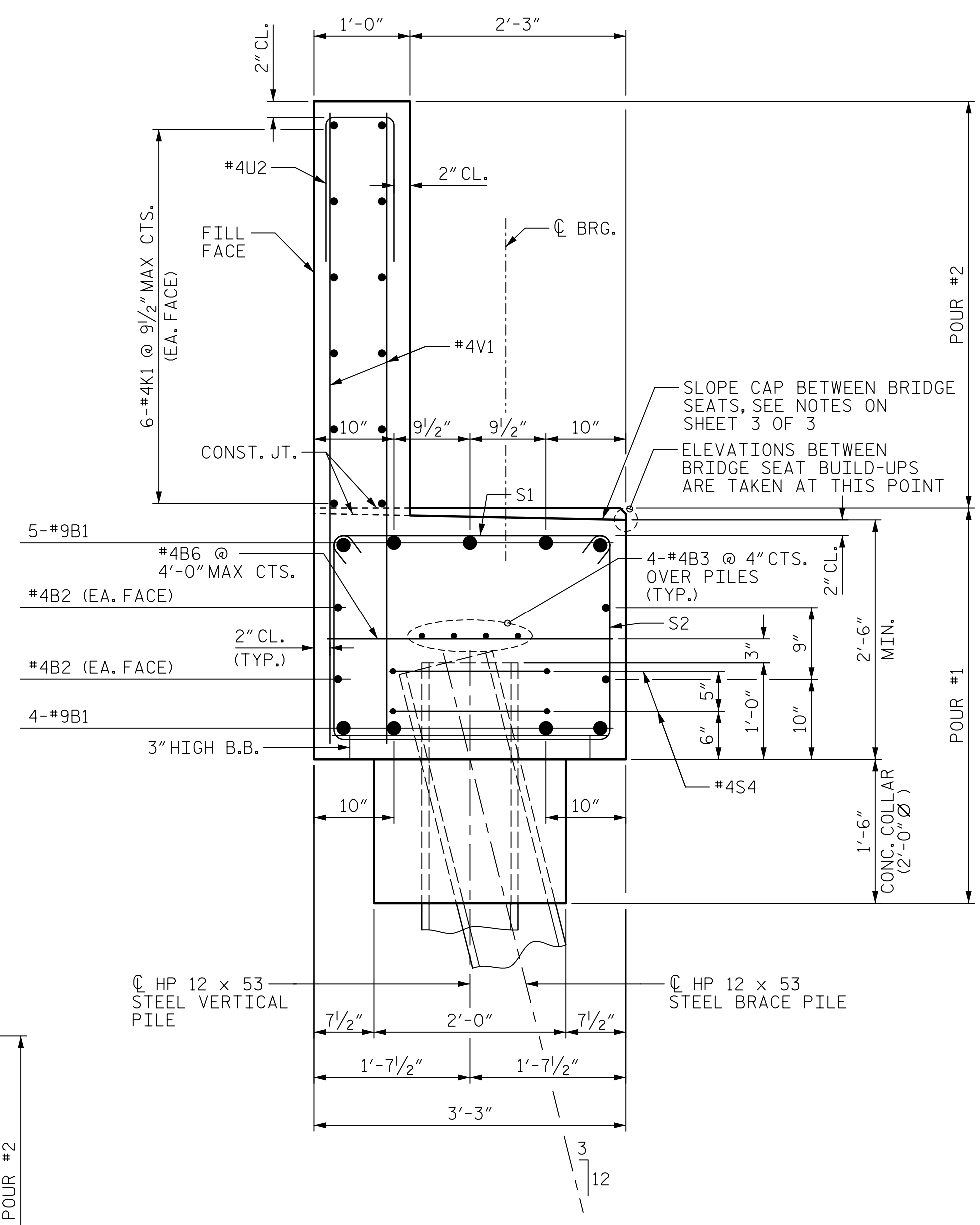
PLAN OF WING W1



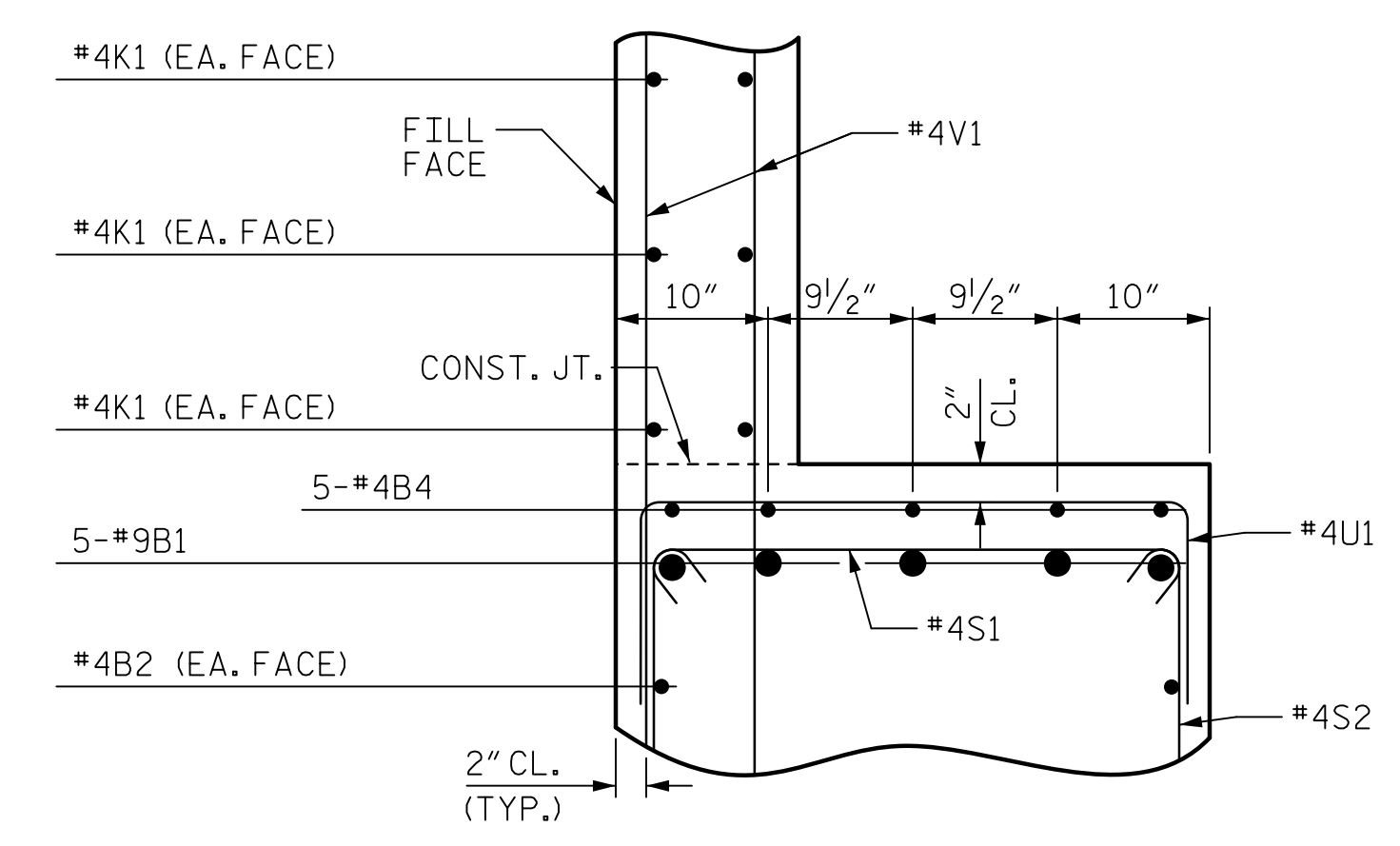
ELEVATION OF WING W1



SECTION X-X



SECTION A-A



SECTION B-B

PROJECT NO. U-5748
WAKE COUNTY
 STATION: 24+88.00 -L-

SHEET 2 OF 3



STATE OF NORTH CAROLINA DEPARTMENT OF TRANSPORTATION RALEIGH					
SUBSTRUCTURE END BENT 1 (SOUTHBOUND LANES)					
REVISIONS					
NO.	BY:	DATE:	NO.	BY:	DATE:
1			3		
2			4		

DRAWN BY : A.R. VAN VUREN	DATE : 12/2022
CHECKED BY : J.C. MORRISON	DATE : 12/2022
DESIGNED BY : A.R. VAN VUREN	DATE : 12/2022
DESIGN CHECKED BY : J.C. MORRISON	DATE : 12/2022

DOCUMENT NOT CONSIDERED FINAL UNLESS ALL SIGNATURES COMPLETED

DocuSigned by: John C. Morrison 2/10/2023

SHEET NO. S2-37
TOTAL SHEETS 119