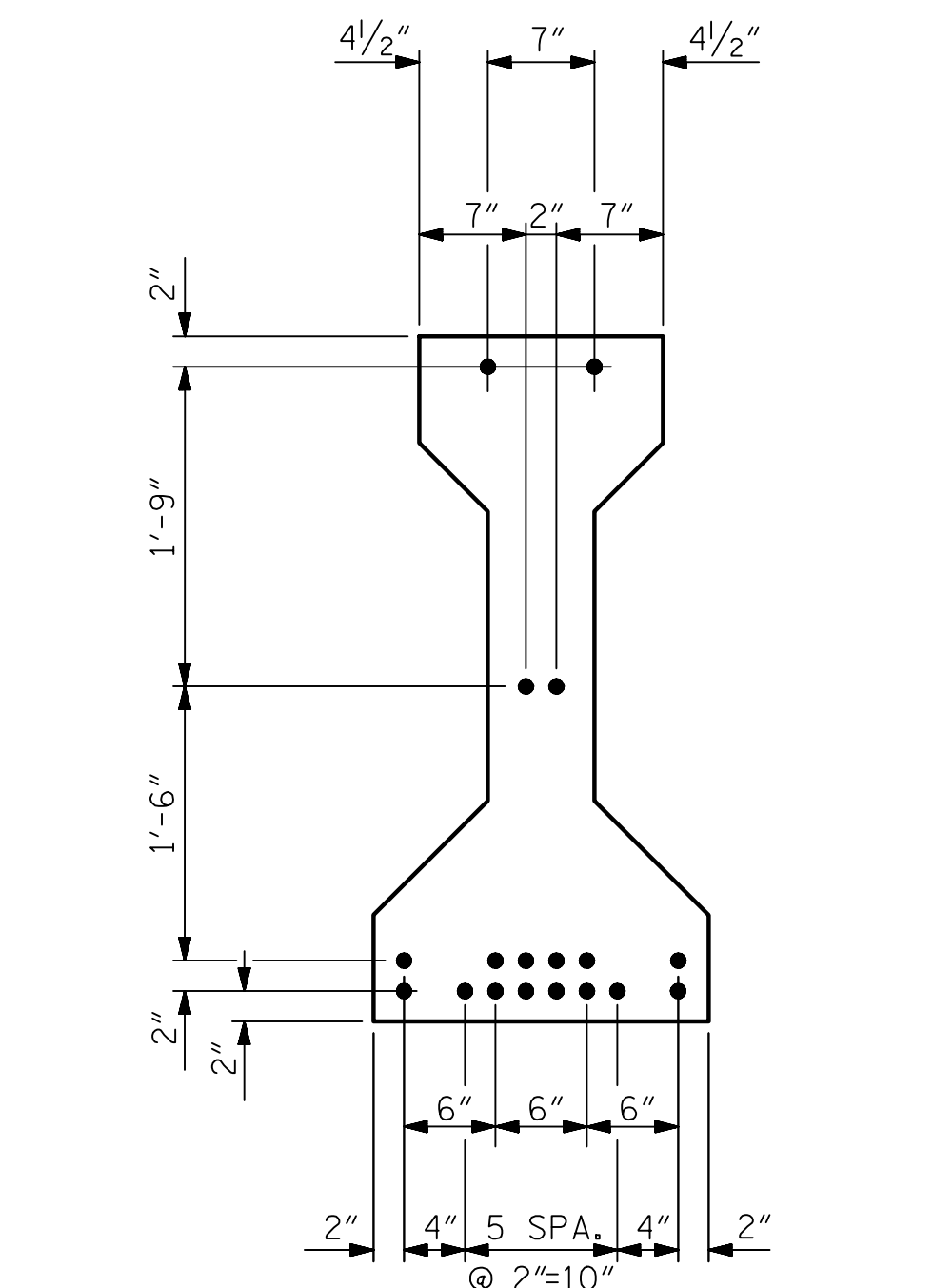
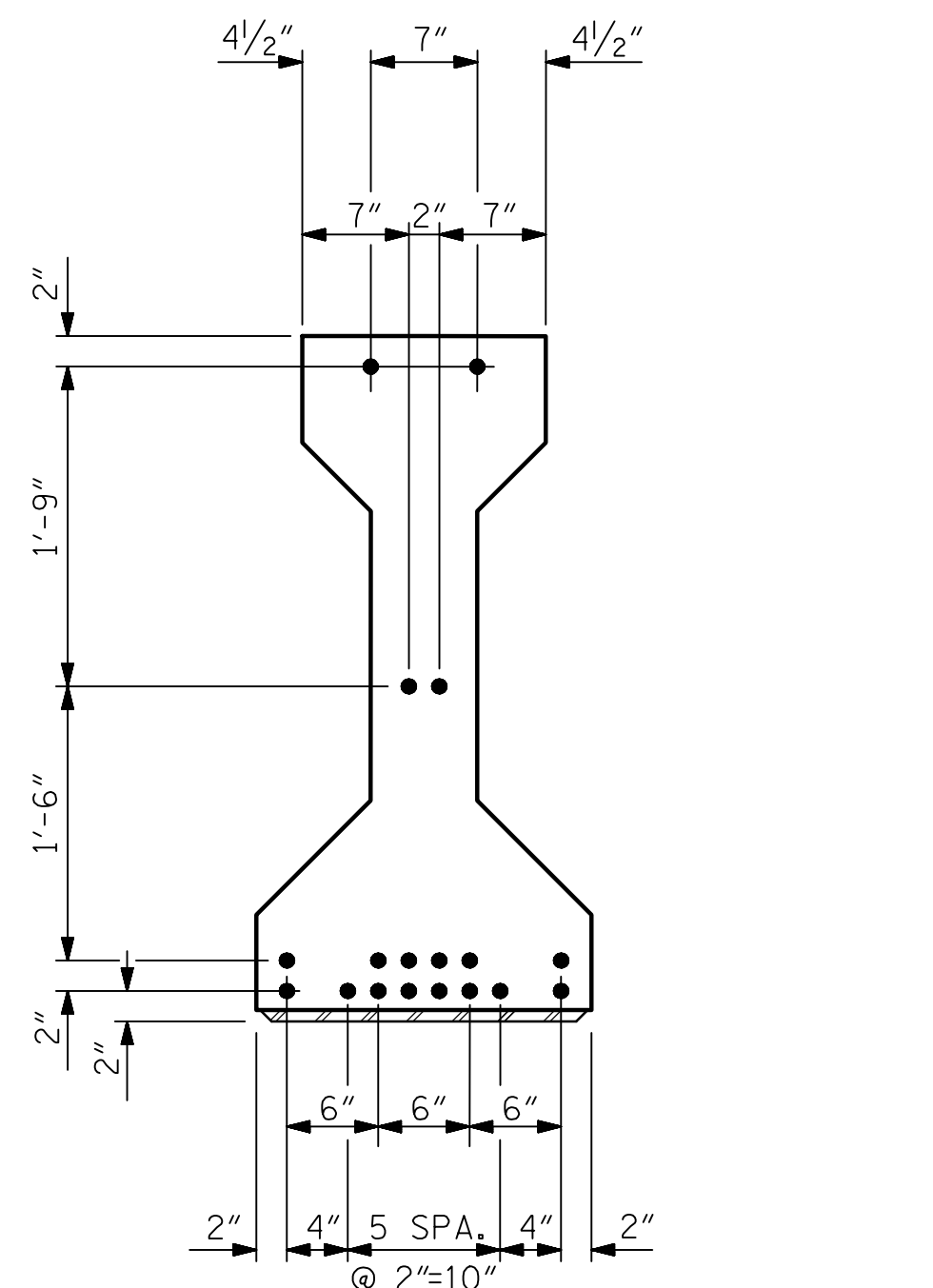
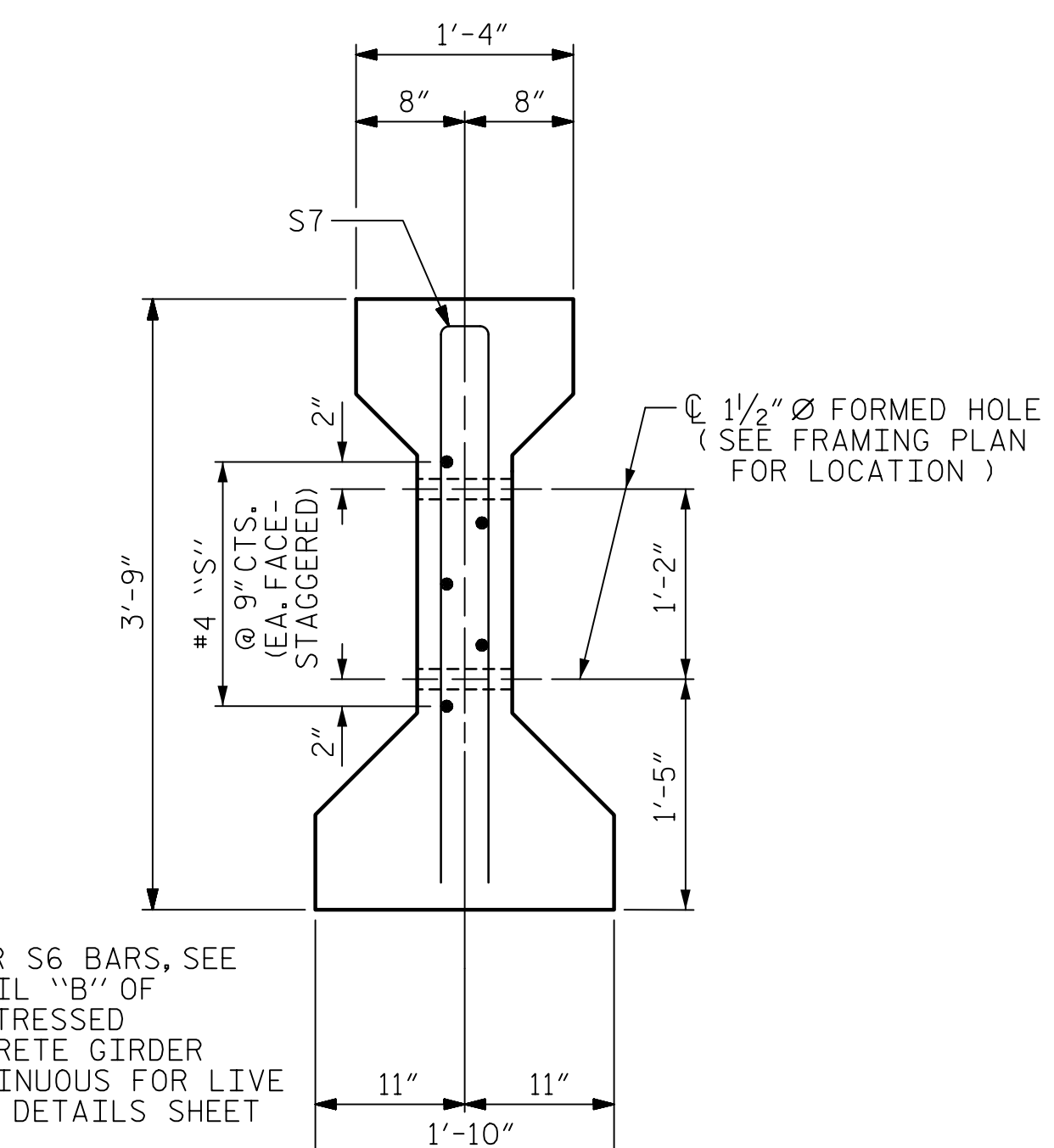
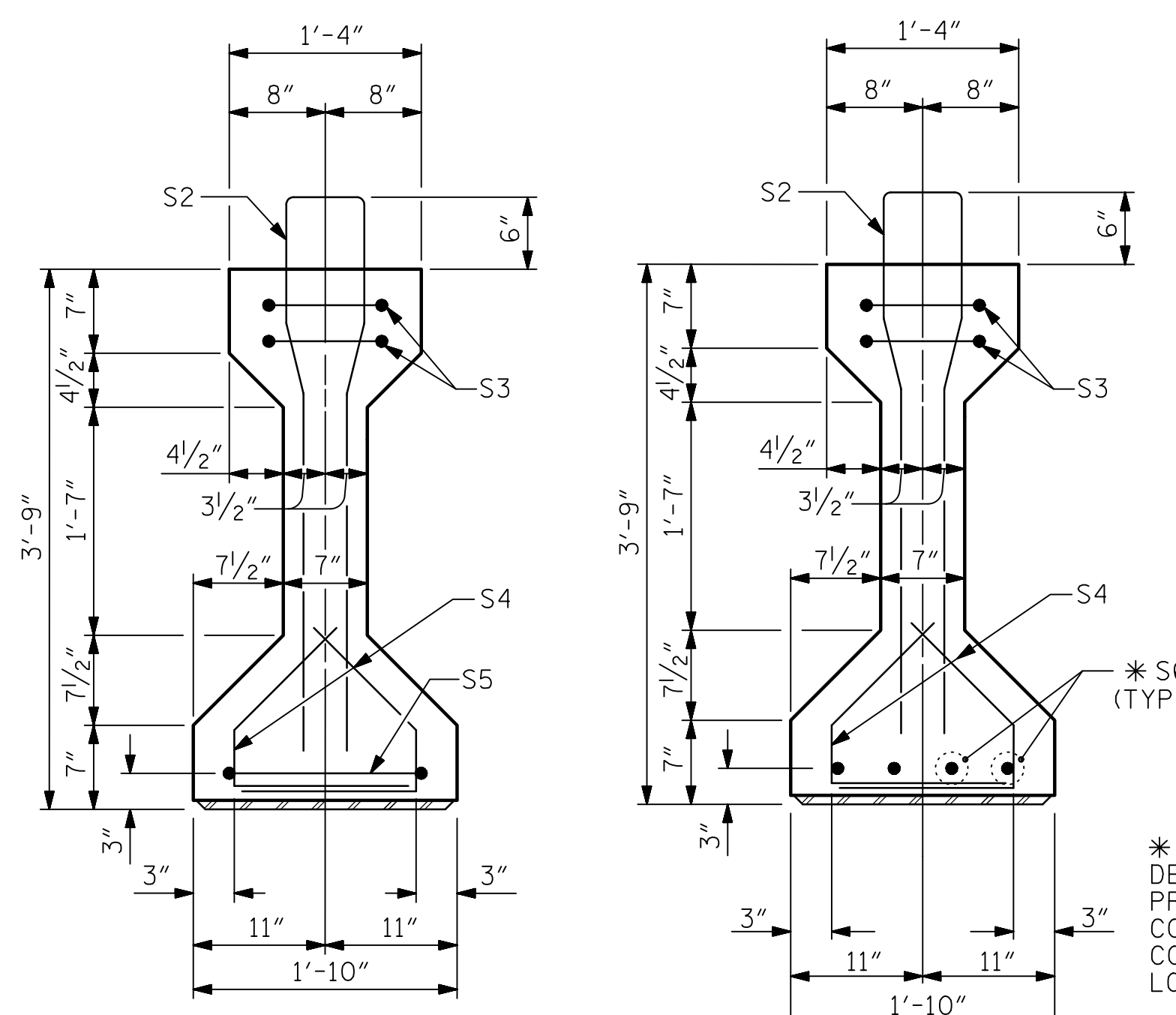


DATE: 2/10/2023 TIME: 10:04 PM
 USER: c. morrison PW: jmorris@aecom.com DSZ1.MA_2020\Documents\6069754-U-5748 Ugn MITIG00-CAD GIS\910_CAD\Y0_MCDOT_TIFS\Structures\04 Drawings\402_C4L-U-5748_SKI_G1_S2-20_91031



0.6" Ø LOW RELAXATION STRAND LAYOUT

0.6" Ø L. R. GRADE 270 STRANDS

AREA (SQUARE INCHES)	ULTIMATE STRENGTH (LBS. PER STRAND)	APPLIED PRESTRESS (LBS. PER STRAND)
0.217	58,600	43,950

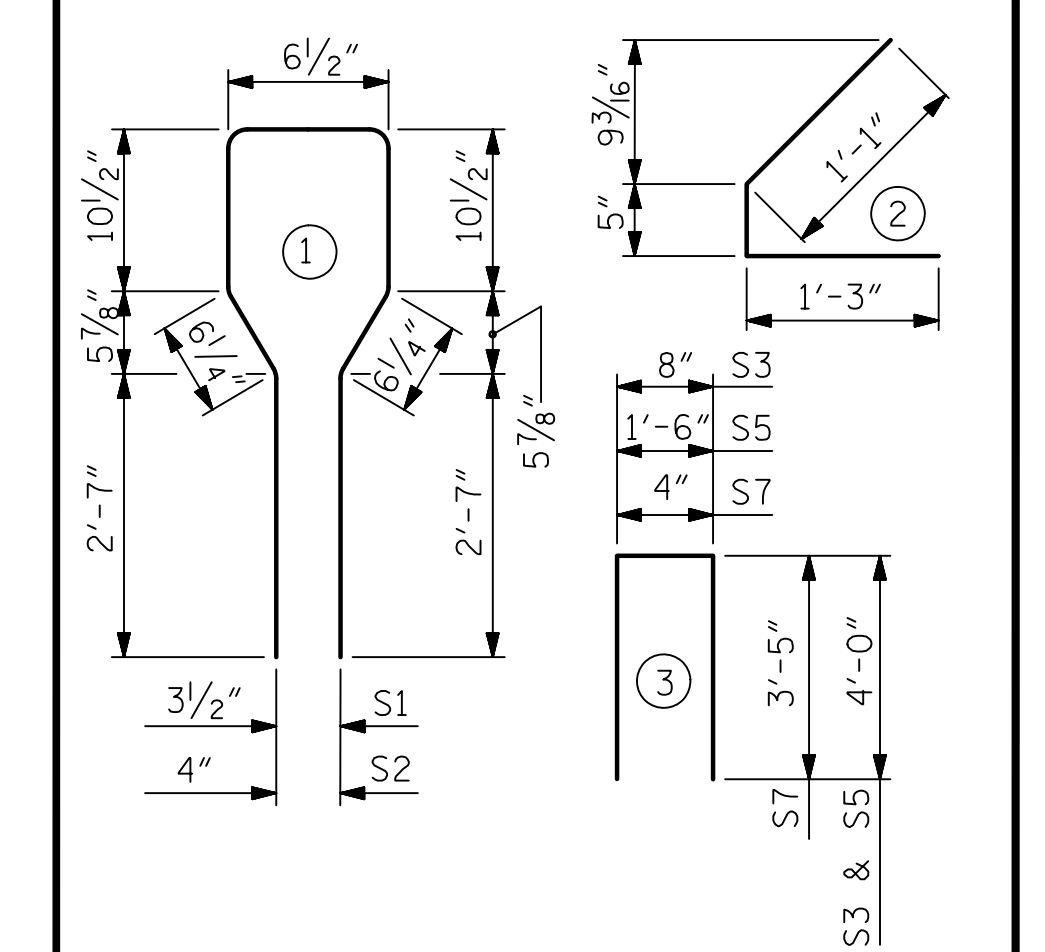
REINFORCING STEEL FOR ONE GIRDER

BAR	NUMBER	SIZE	TYPE	LENGTH	WEIGHT
S1	60	#4	1	8'-6"	341
S2	14	#6	1	8'-6"	179
S3	4	#4	3	8'-8"	23
S4	60	#4	2	2'-9"	110
S5	1	#4	3	9'-6"	6
*S6	4	#5	STR	3'-8"	15
S7	2	#5	3	7'-2"	15
S8	5	#4	STR	7'-0"	23

*NOTE: S6 BARS SHALL BE BENT BEFORE SHIPMENT. HEAT BENDING SHALL NOT BE ALLOWED.

BAR TYPES

ALL BAR DIMENSIONS ARE OUT-TO-OUT

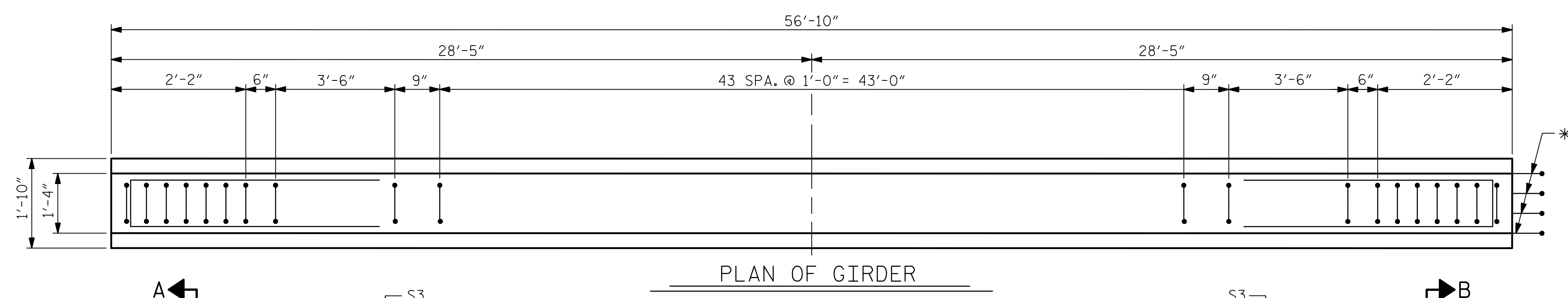


QUANTITIES FOR ONE GIRDER

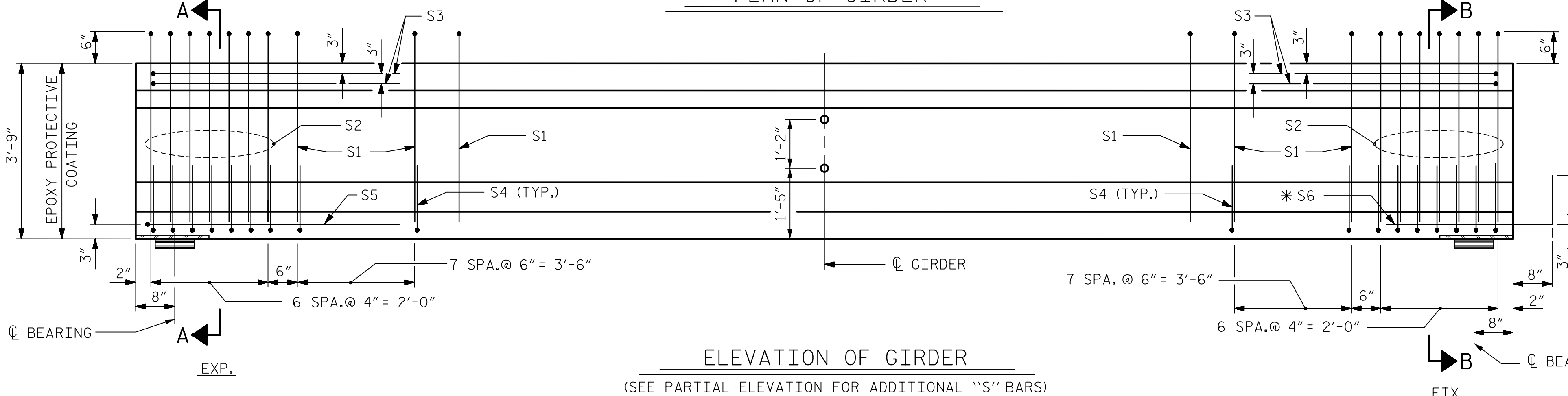
	REINFORCING STEEL (LB.)	6,000 PSI CONCRETE (C.Y.)	0.6" Ø L. R. STRANDS (No.)
GIRDER 1, 2 & 3	712	8.2	18

GIRDERS REQUIRED

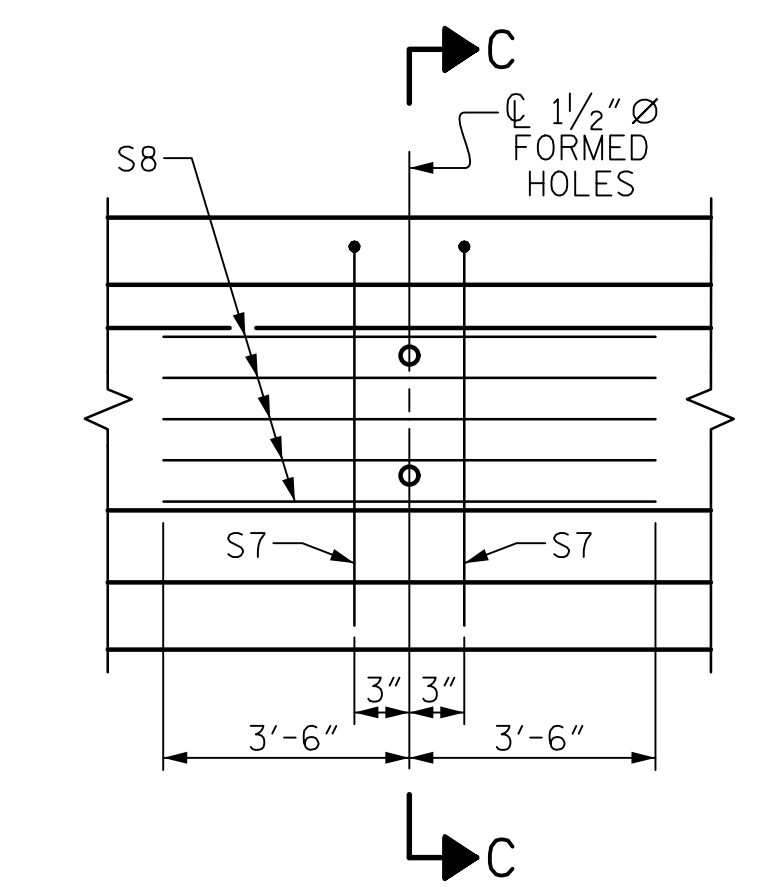
NUMBER	LENGTH	TOTAL LENGTH
3	56'-10"	170'-6"



PLAN OF GIRDER



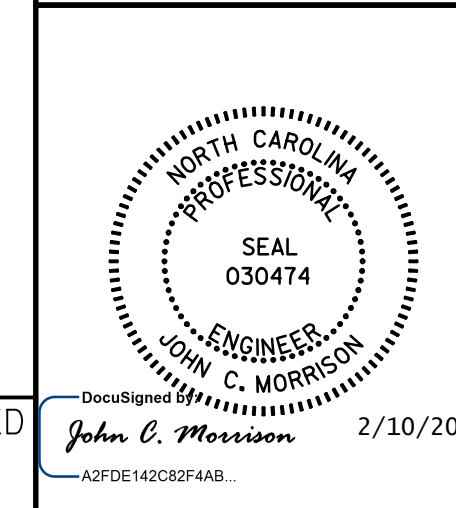
ELEVATION OF GIRDER (SEE PARTIAL ELEVATION FOR ADDITIONAL "S" BARS)



PARTIAL ELEVATION SHOWING INTERMEDIATE DIAPHRAGM REINFORCING STEEL FOR GIRDER Nos. 1, 2 & 3

PROJECT NO. U-5748
 WAKE COUNTY
 STATION: 24+88.00 -L-
 SHEET 3 OF 5

ASSEMBLED BY : M. CATER	DATE : 10/2020
CHECKED BY : J.C. MORRISON	DATE : 05/2021
DRAWN BY : ELR 8/91	REV. 10/1/11 MAA/GM
CHECKED BY : GRP 8/91	REV. 1/15 MAA/TMG
	REV. 12/17 MAA/THC



DOCUMENT NOT CONSIDERED FINAL UNLESS ALL SIGNATURES COMPLETED

REVISIONS			SHEET NO.		
NO.	BY:	DATE:	NO.	BY:	DATE:
1			3		
2			4		

TOTAL SHEETS: 119