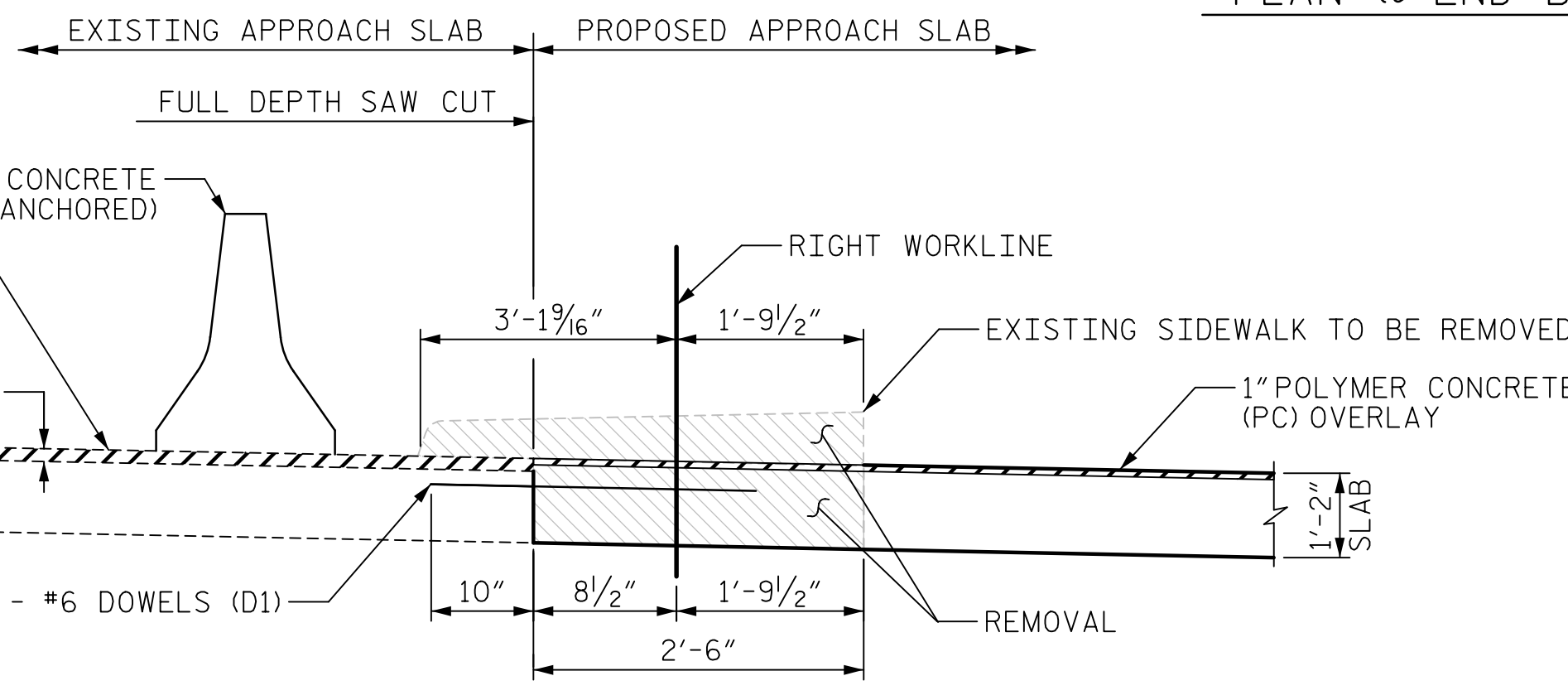
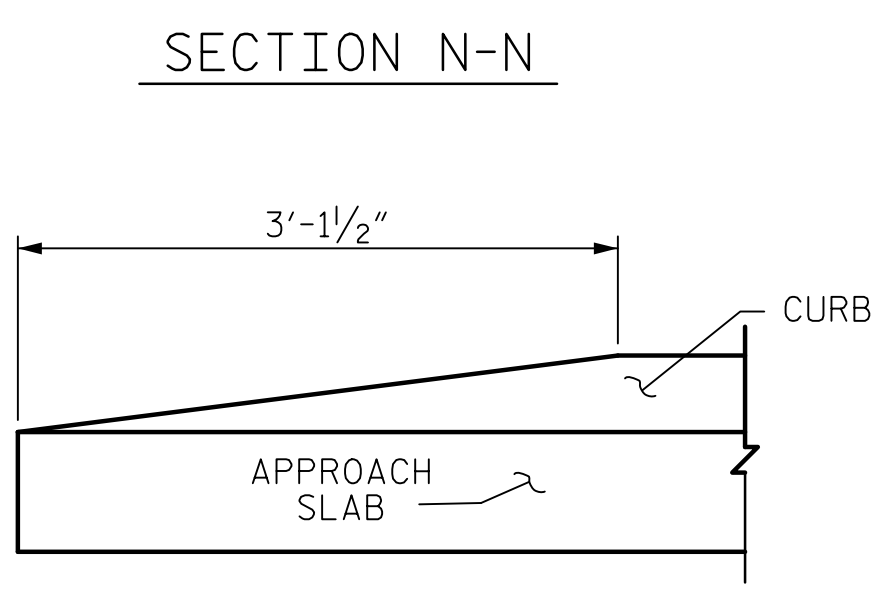
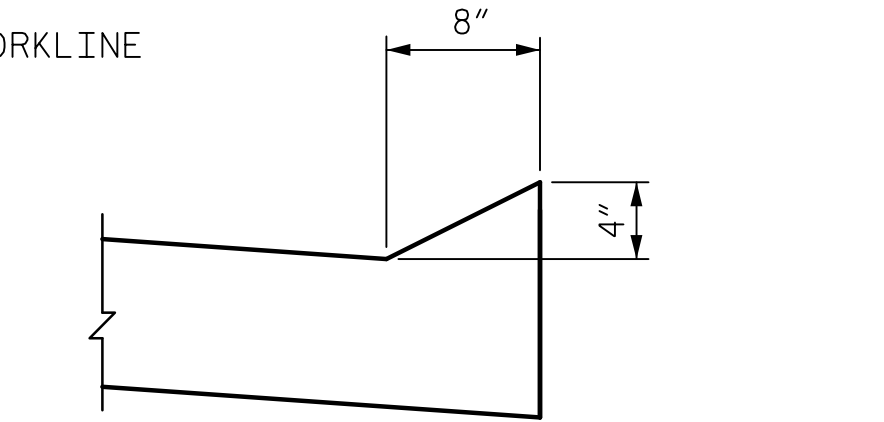
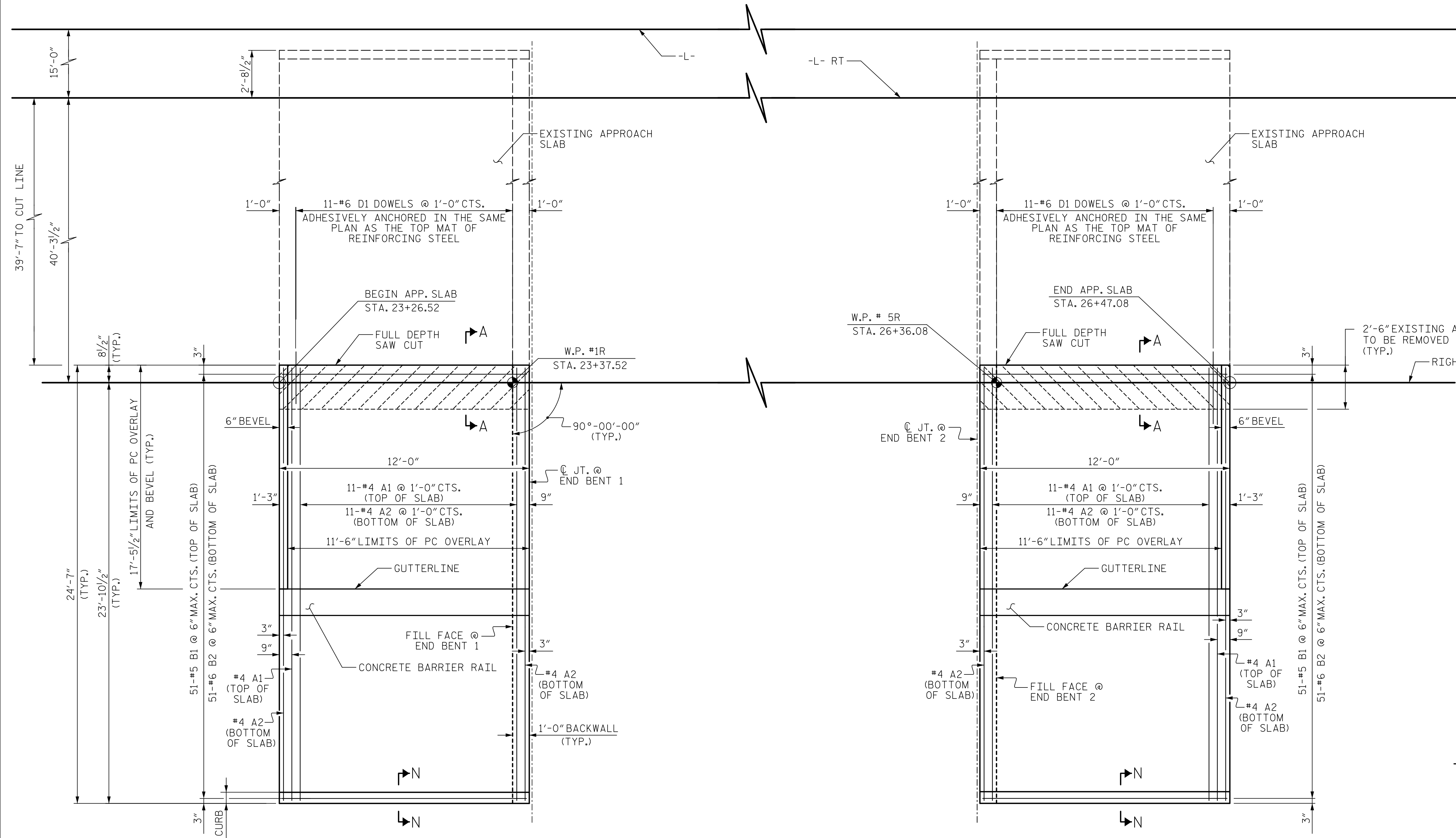


DATE: 2/10/2023
 TIME: 12:42:45 PM
 USER: catter
 DSN: pva@acomm-nr-pw@hrlf.com
 AECOM\Documents\60609754-U-5748-Upon_MIT900-CAD_GIS\910_CAD\70_MCDOT_TIP\Structures\04_Drawings\40_LJI-U-5748_SML\AS1_S1_50_910021

NOTES:
FOR NOTES, SEE SHEET 2 OF 3



PLAN @ END BENT 1

PLAN @ END BENT 2

DRAWN BY :	M. CATER	DATE :	08/2021
CHECKED BY :	J.C. MORRISON	DATE :	08/2021
DESIGNED BY :	M. CATER	DATE :	08/2021
DESIGN CHECKED BY :	J.C. MORRISON	DATE :	08/2021

PROJECT NO. U-5748
 WAKE COUNTY
 STATION: 24+88.00 -L-

SHEET 1 OF 3

AECOM
AECOM TECHNICAL SERVICES OF NC, INC.
 5438 WADE PARK BOULEVARD, SUITE 200
 RALEIGH, NC 27607
 (919) 854-6200 www.aecom.com
 AECOM License No. F-0342

John C. Morrison
 NORTH CAROLINA PROFESSIONAL ENGINEER
 SEAL 030474
 2/10/2023

STATE OF NORTH CAROLINA DEPARTMENT OF TRANSPORTATION RALEIGH					
BRIDGE APPROACH SLAB FOR FLEXIBLE PAVEMENT (NORTHBOUND LANES)					
REVISIONS				SHEET NO.	
NO.	BY:	DATE:	NO.	BY:	DATE:
1			3		
2			4		
					TOTAL SHEETS 119

DOCUMENT NOT CONSIDERED FINAL UNLESS ALL SIGNATURES COMPLETED