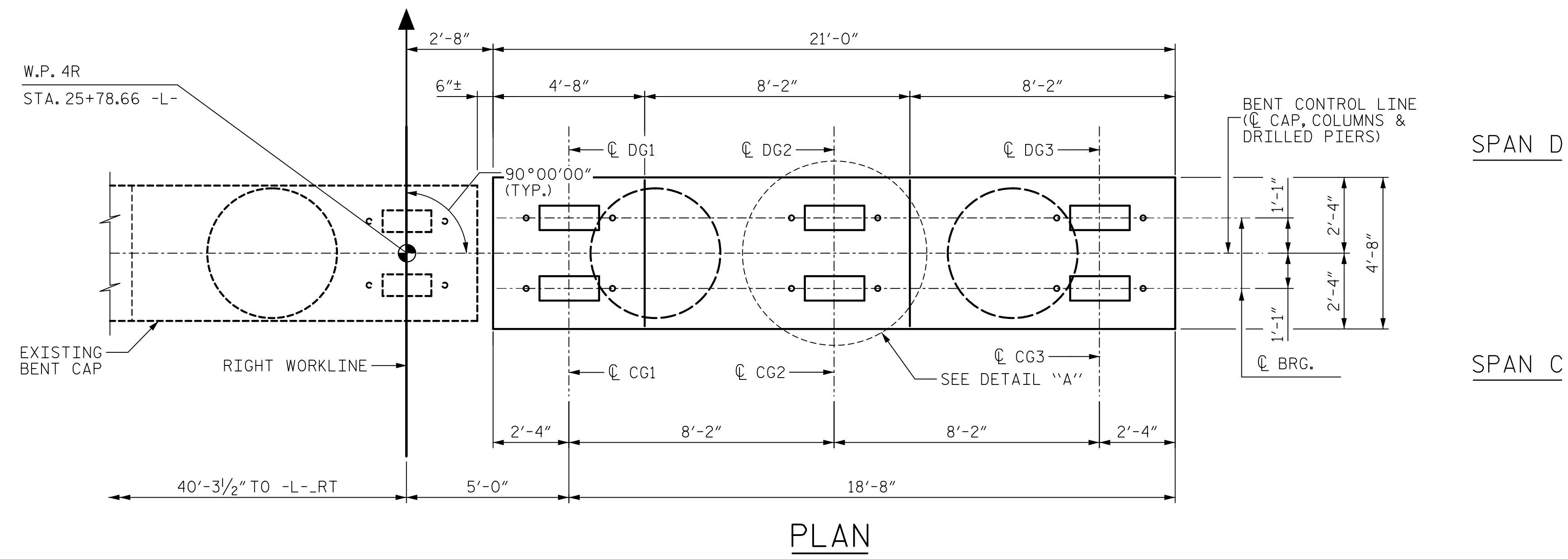


DATE: 2/9/2023
TIME: 12:46:29 PM

USER: c:\pwworkspace\pwworkspace\AECOM\DS21_MAL_2020\Documents\60609754-U-5748 Upon Milling-CAD GIS\910-CAD\Y0_MCDOT-TIF\Structures\04 Drawings\04_DET-U-5748_S1-U-5748_S1-43_91021



NOTES:

STIRRUPS AND "U" BARS IN CAP MAY BE SHIFTED AS NECESSARY TO CLEAR ANCHOR BOLTS.

HOOKS ON "V" BARS MAY BE TURNED AS NECESSARY FOR PLACING REINFORCING STEEL.

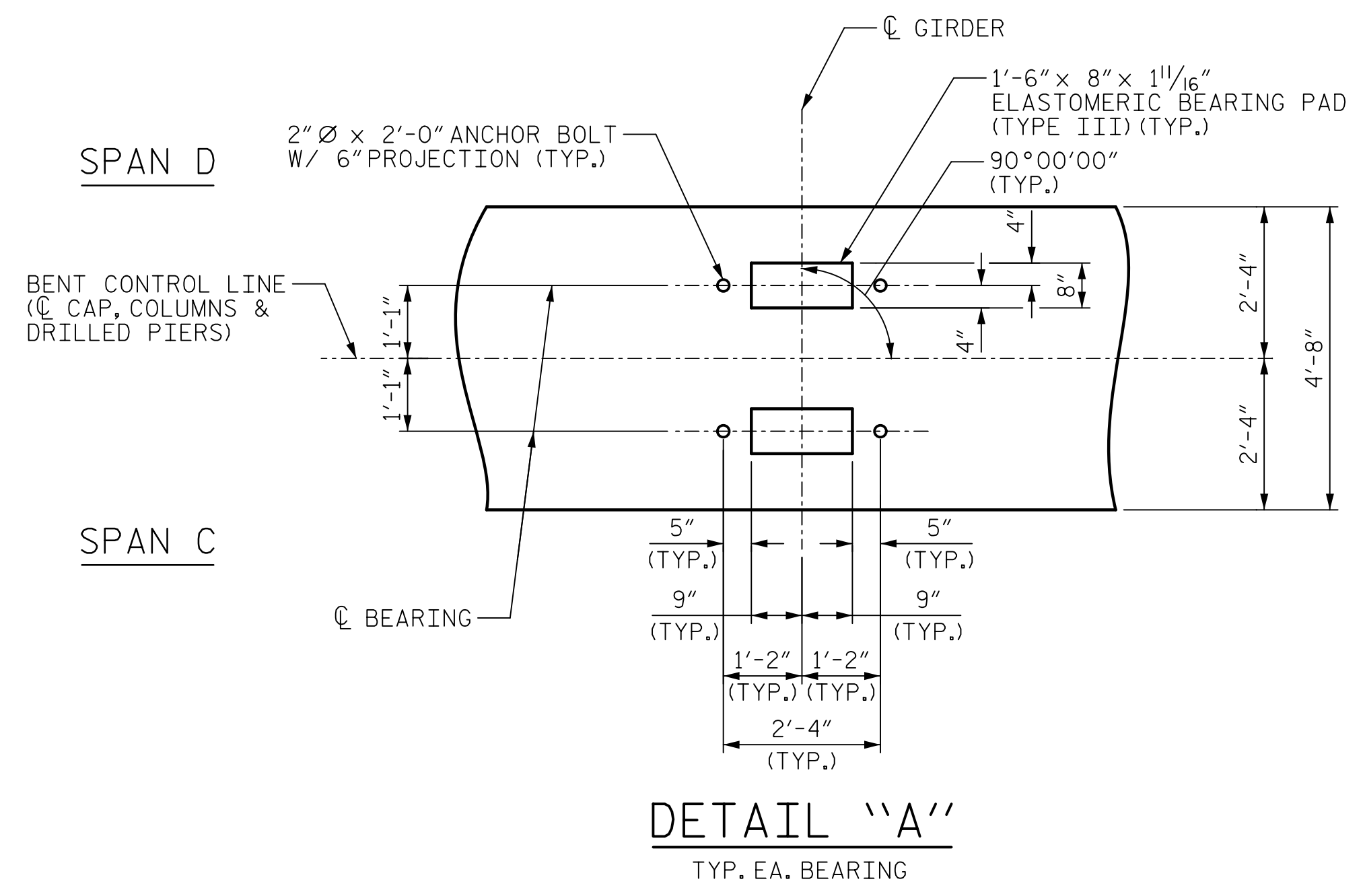
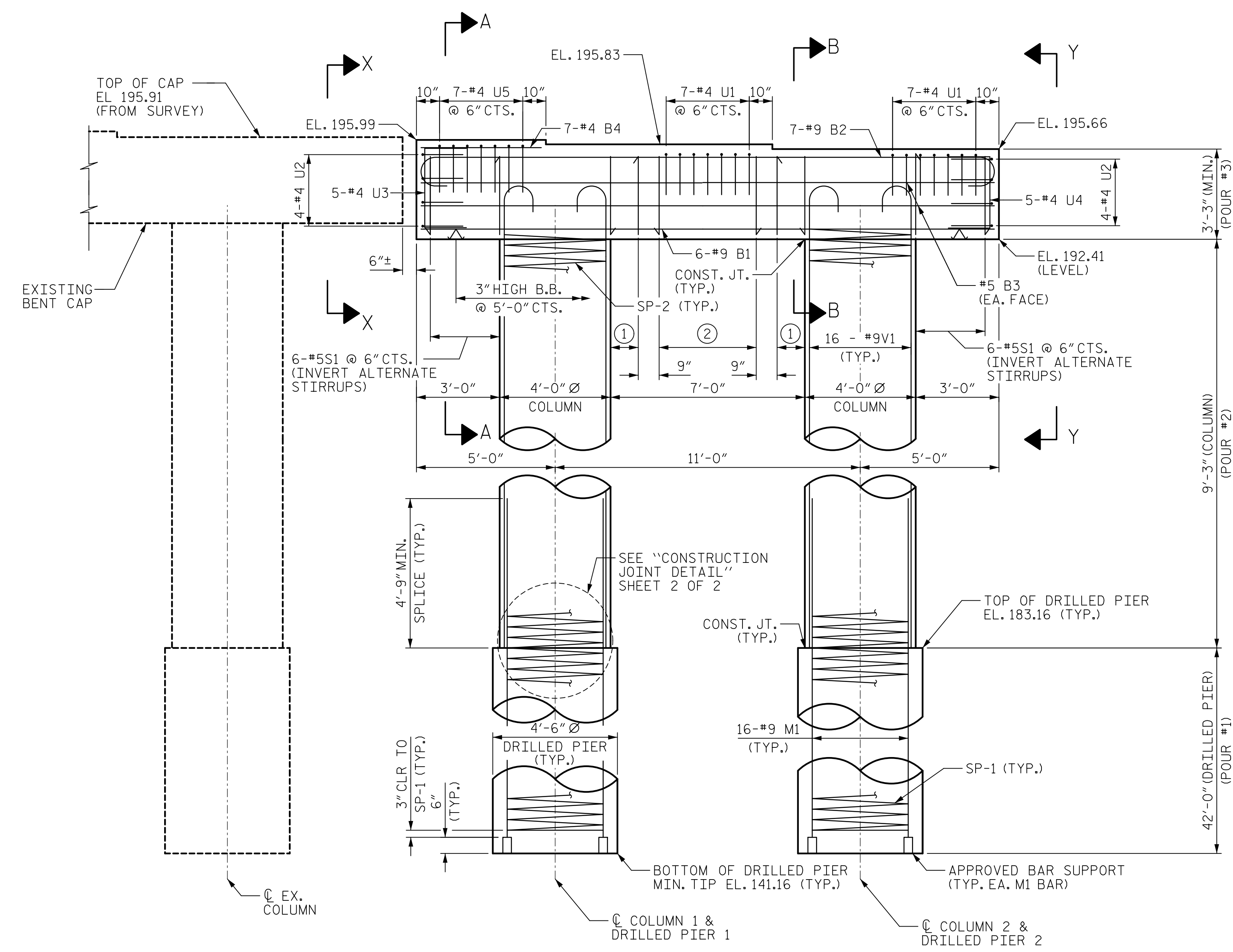
ALL STEEL IN THE DRILLED PIERS IS INCLUDED IN THE PAY ITEMS FOR "REINFORCING STEEL" AND "SPIRAL COLUMN REINFORCING STEEL".

DRILLED PIERS SHALL BE TERMINATED ONE FOOT± BELOW GROUND LINE.

THE CONTRACTOR'S ATTENTION IS CALLED TO THE FACT THAT THE LONGITUDINAL REINFORCEMENT FOR THE DRILLED PIERS IS DETAILED WITH 3 FEET OF EXTRA LENGTH.

FOR DRILLED PIERS, SEE SECTION 411 OF THE STANDARD SPECIFICATIONS.

THE TOP SURFACE AREA OF THE BENT CAPS SHALL BE CURED IN ACCORDANCE WITH THE STANDARD SPECIFICATIONS EXCEPT THE MEMBRANE CURING COMPOUND METHOD SHALL NOT BE USED.



- ① 2-#5S1 @ 6" CTS. (INVERT ALTERNATE STIRRUPS)
- ② 7-#5S1 @ 9" CTS. (INVERT ALTERNATE STIRRUPS)

PROJECT NO. U-5748

WAKE COUNTY

STATION: 24+88.00 -L-

SHEET 1 OF 2

DRAWN BY : M. CATER DATE : 12/2022

CHECKED BY : J.C. MORRISON DATE : 12/2022

DESIGNED BY : B. LEROY DATE : 12/2022

DESIGN CHECKED BY : J.C. MORRISON DATE : 12/2022

DOCUMENT NOT CONSIDERED FINAL UNLESS ALL SIGNATURES COMPLETED

AECOM
AECOM TECHNICAL SERVICES OF NC, INC.
5438 WADE PARK BOULEVARD, SUITE 200
RALEIGH, NC 27607
(919) 854-6200
www.aecom.com
AECOM License No. F-0342

DocuSigned By: John C. Morrison
2/10/2023
A3FDE142C2F4AB

STATE OF NORTH CAROLINA
DEPARTMENT OF TRANSPORTATION
RALEIGH

SUBSTRUCTURE

BENT 3

(NORTHBOUND LANES)

REVISIONS						SHEET NO.
NO.	BY:	DATE:	NO.	BY:	DATE:	SHEET NO.
1			3			S1-43
2			4			TOTAL SHEETS 119