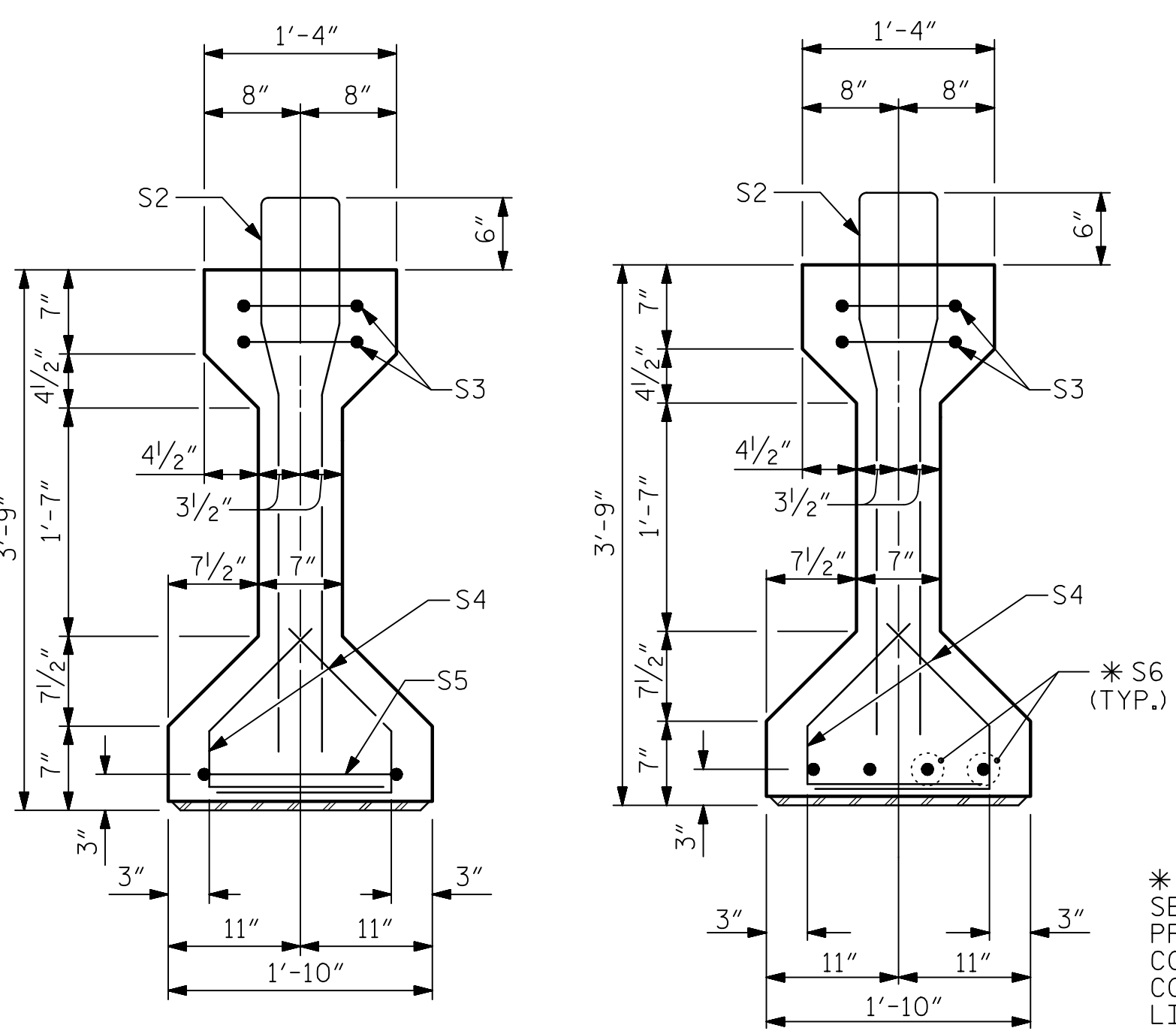
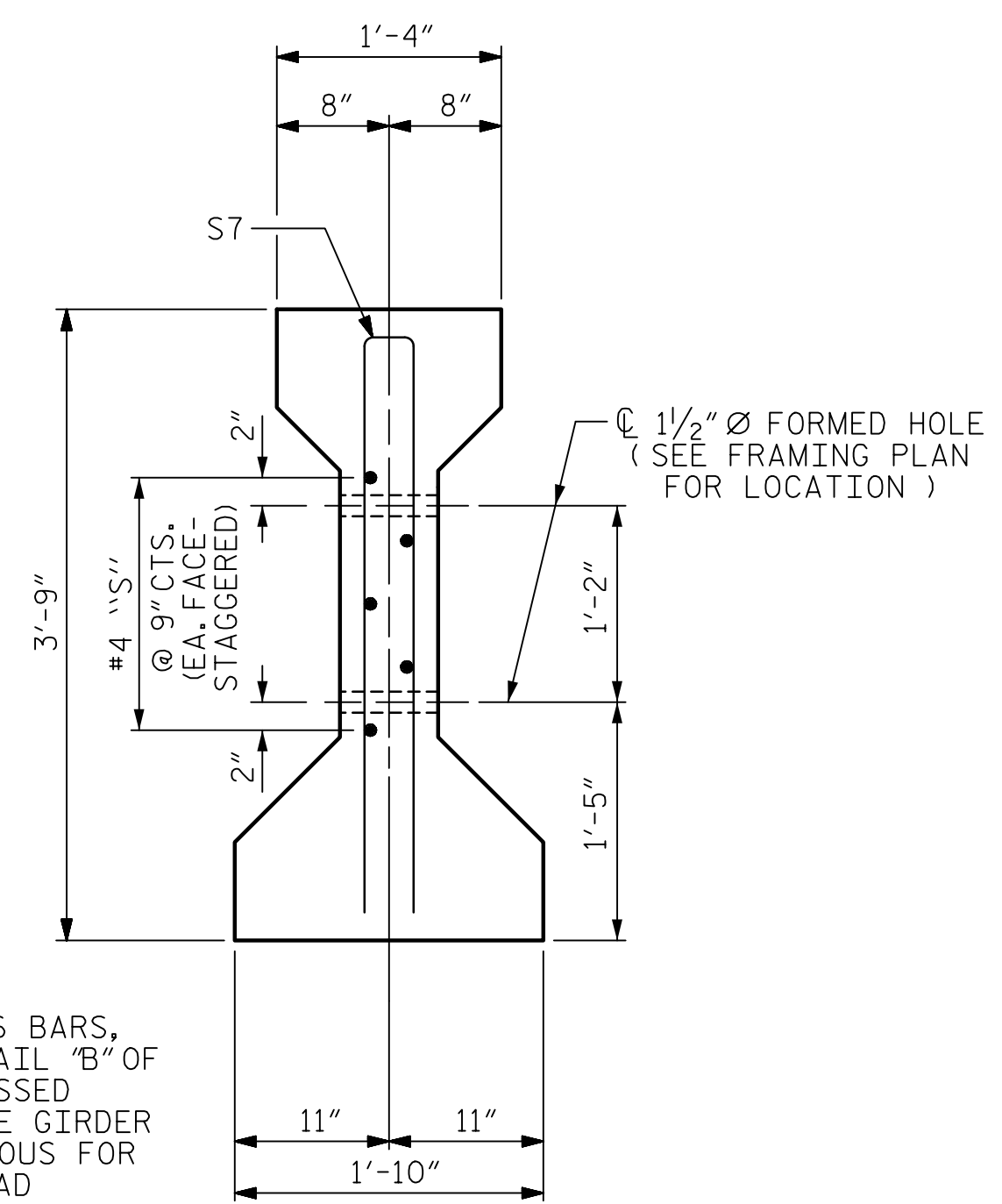


DATE: 2/9/2023
TIME: 12:57:40 PM

USER: c:\pwworking\john.morrison\pwworking.com\AECOM\DS21_ML_2020\Documents\60609754-U-5748 Ugn MIT900-CAD GIS910-CAD70-MCDDOT-TIPStructures04 Drawings\401_043_U-5748_S1-U-5748_S1-21_91021

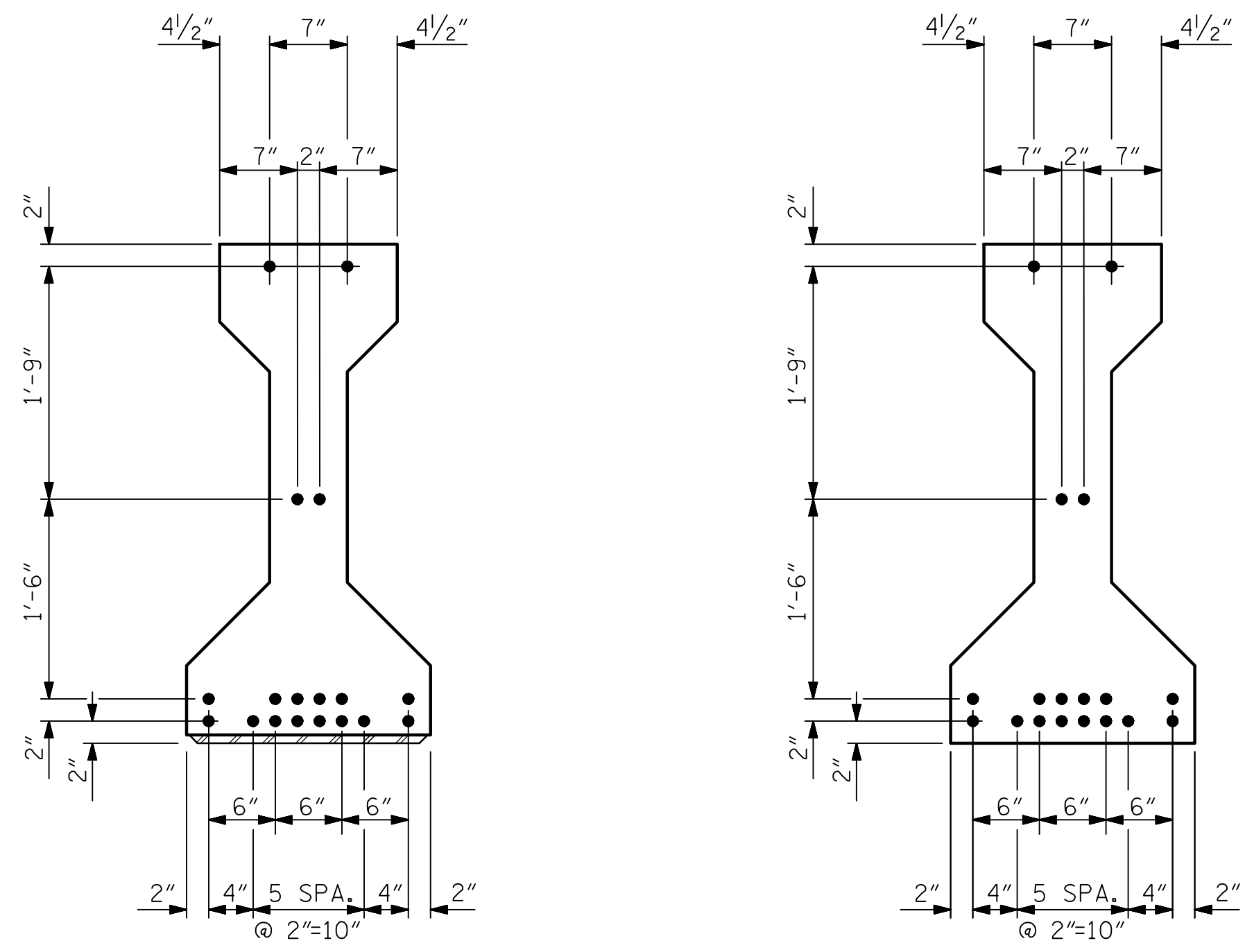


SECTION A-A
SECTION B-B

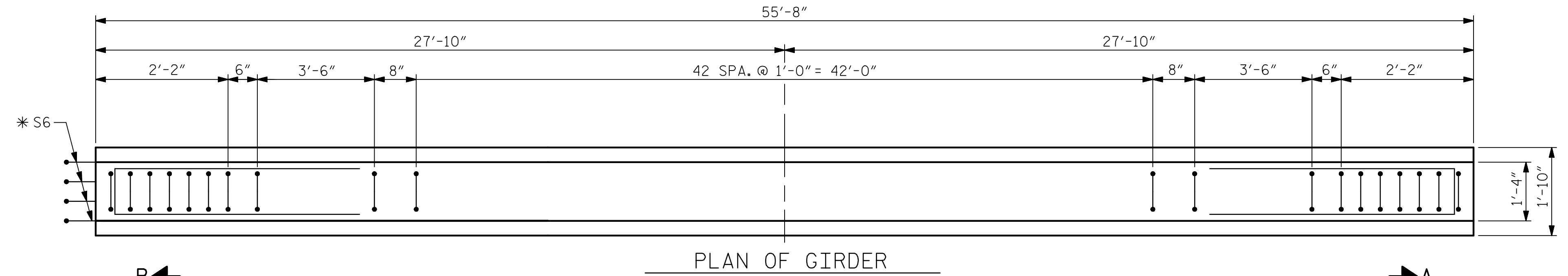


SECTION C-C
(S1 BARS NOT SHOWN)

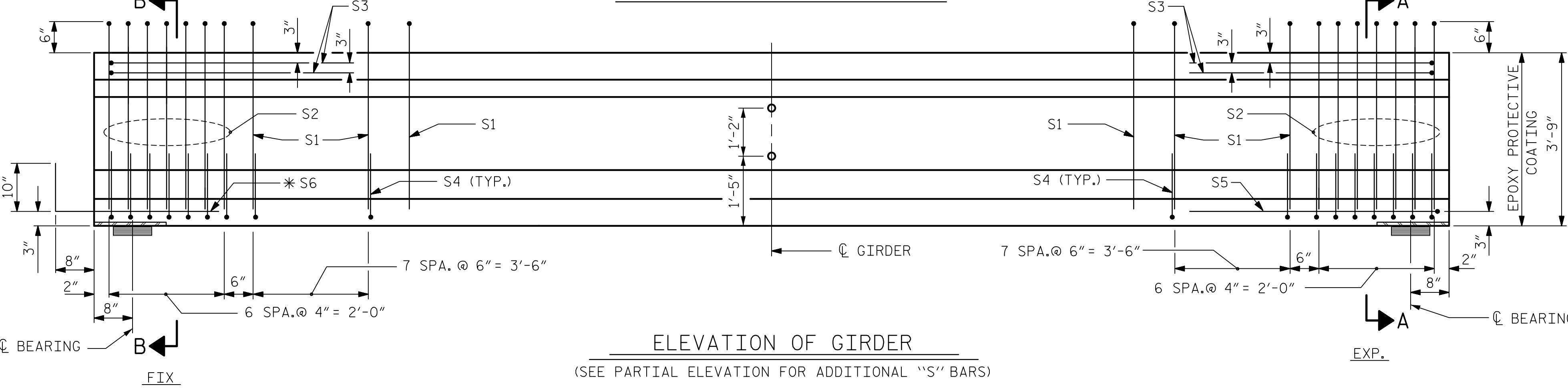
* FOR S6 BARS, SEE DETAIL "B" OF PRESTRESSED CONCRETE GIRDER CONTINUOUS FOR LIVE LOAD DETAILS SHEET



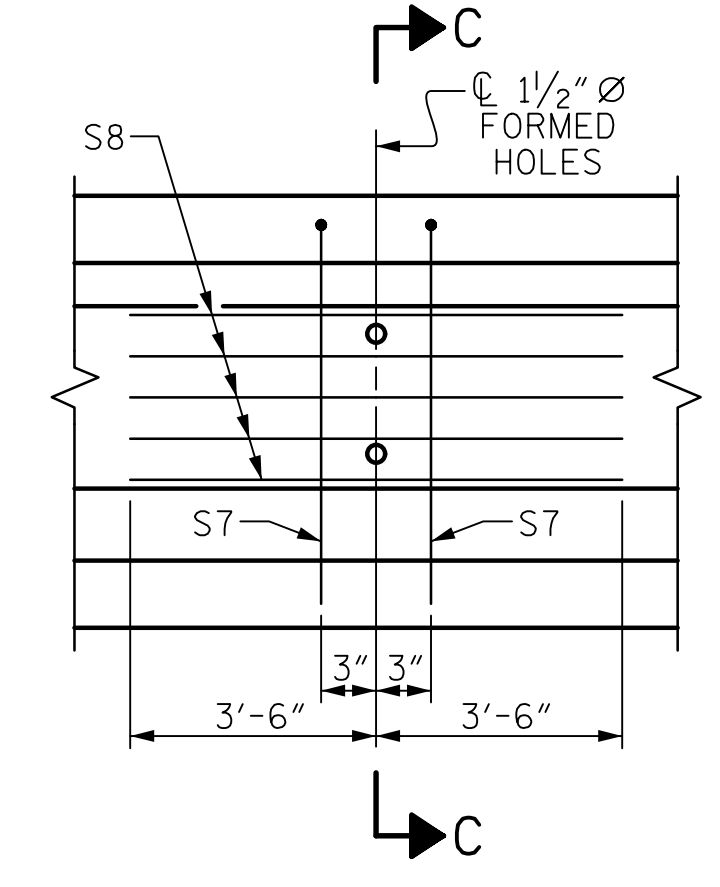
AT END OF GIRDER
AT CL OF GIRDER
0.6" Ø LOW RELAXATION STRAND LAYOUT



PLAN OF GIRDER



ELEVATION OF GIRDER
(SEE PARTIAL ELEVATION FOR ADDITIONAL "S" BARS)



PARTIAL ELEVATION
SHOWING INTERMEDIATE DIAPHRAGM REINFORCING STEEL FOR GIRDER Nos. 1, 2 & 3

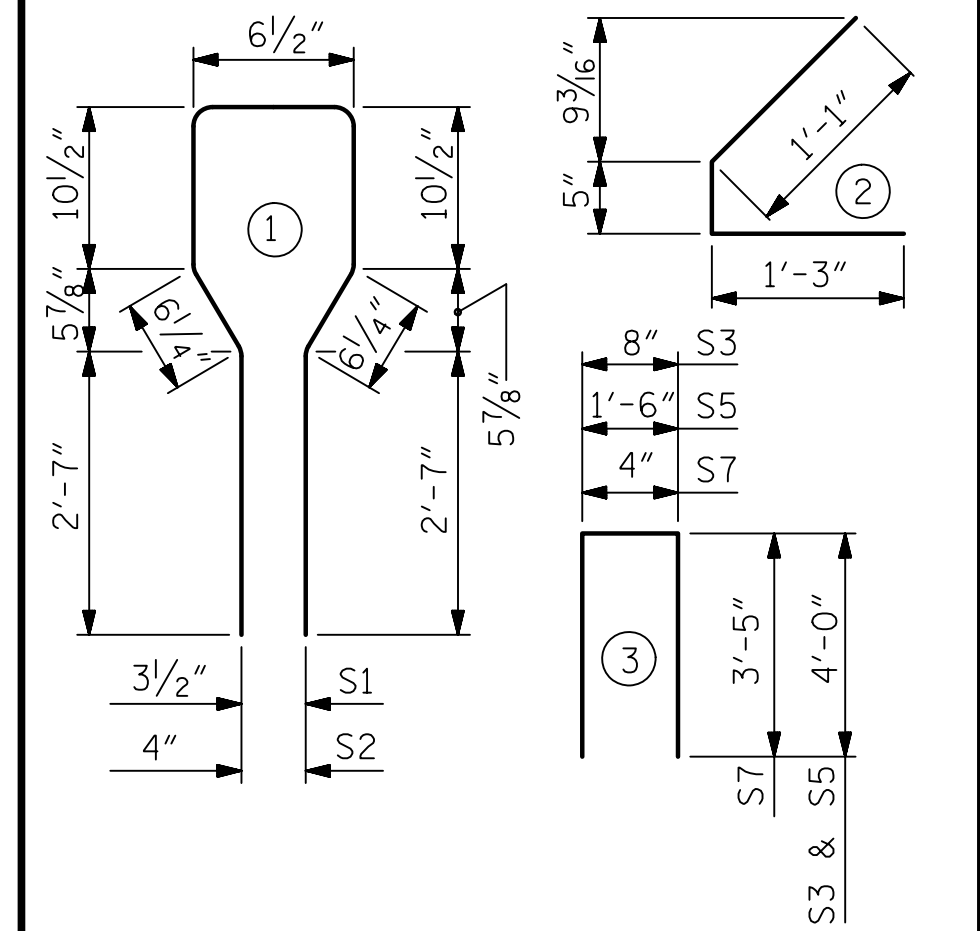
| 0.6" Ø L. R. GRADE 270 STRANDS | | |
|--------------------------------|-------------------------------------|-------------------------------------|
| AREA (SQ. INCHES) | ULTIMATE STRENGTH (LBS. PER STRAND) | APPLIED PRESTRESS (LBS. PER STRAND) |
| 0.217 | 58,600 | 43,950 |

| REINFORCING STEEL FOR ONE GIRDER | | | | | |
|----------------------------------|--------|------|------|--------|--------|
| BAR | NUMBER | SIZE | TYPE | LENGTH | WEIGHT |
| S1 | 59 | #4 | 1 | 8'-6" | 335 |
| S2 | 14 | #6 | 1 | 8'-6" | 179 |
| S3 | 4 | #4 | 3 | 8'-8" | 23 |
| S4 | 60 | #4 | 2 | 2'-9" | 110 |
| S5 | 1 | #4 | 3 | 9'-6" | 6 |
| * S6 | 4 | #5 | STR | 3'-8" | 15 |
| S7 | 2 | #5 | 3 | 7'-2" | 15 |
| S8 | 5 | #4 | STR | 7'-0" | 23 |

* NOTE: S6 BARS SHALL BE BENT BEFORE SHIPMENT. HEAT BENDING SHALL NOT BE ALLOWED.

BAR TYPES

ALL BAR DIMENSIONS ARE OUT-TO-OUT



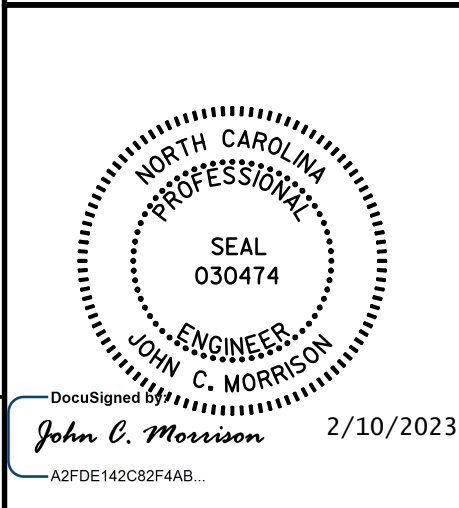
QUANTITIES FOR ONE GIRDER

| | REINFORCING STEEL | 6,000 PSI CONCRETE | 0.6" Ø L. R. STRANDS |
|-----------------|-------------------|--------------------|----------------------|
| | LB. | C.Y. | No. |
| GIRDER 1, 2 & 3 | 706 | 8.0 | 18 |

| GIRDERS REQUIRED | | |
|------------------|--------|--------------|
| NUMBER | LENGTH | TOTAL LENGTH |
| 3 | 55'-8" | 167'-0" |

PROJECT NO. U-5748
WAKE COUNTY
STATION: 24+88.00 -L-

SHEET 4 OF 5



STATE OF NORTH CAROLINA
DEPARTMENT OF TRANSPORTATION
RALEIGH
STANDARD
AASHTO TYPE III
PRESTRESSED CONCRETE GIRDER
CONTINUOUS FOR LIVE LOAD
SPAN D

| REVISIONS | | | | | | SHEET NO. S1-21 |
|-----------|-----|-------|-----|-----|-------|---------------------|
| NO. | BY: | DATE: | NO. | BY: | DATE: | |
| 1 | | | 3 | | | TOTAL SHEETS 119 |
| 2 | | | 4 | | | |

| | |
|----------------------------|---------------------|
| ASSEMBLED BY : M. CATER | DATE : 10/2020 |
| CHECKED BY : J.C. MORRISON | DATE : 05/2021 |
| DRAWN BY : ELR 8/91 | REV. 10/1/11 MAA/GM |
| CHECKED BY : GRP 8/91 | REV. 1/15 MAA/TMG |
| | REV. 12/17 MAA/THC |

DOCUMENT NOT CONSIDERED FINAL UNLESS ALL SIGNATURES COMPLETED

2/10/2023
John C. Morrison