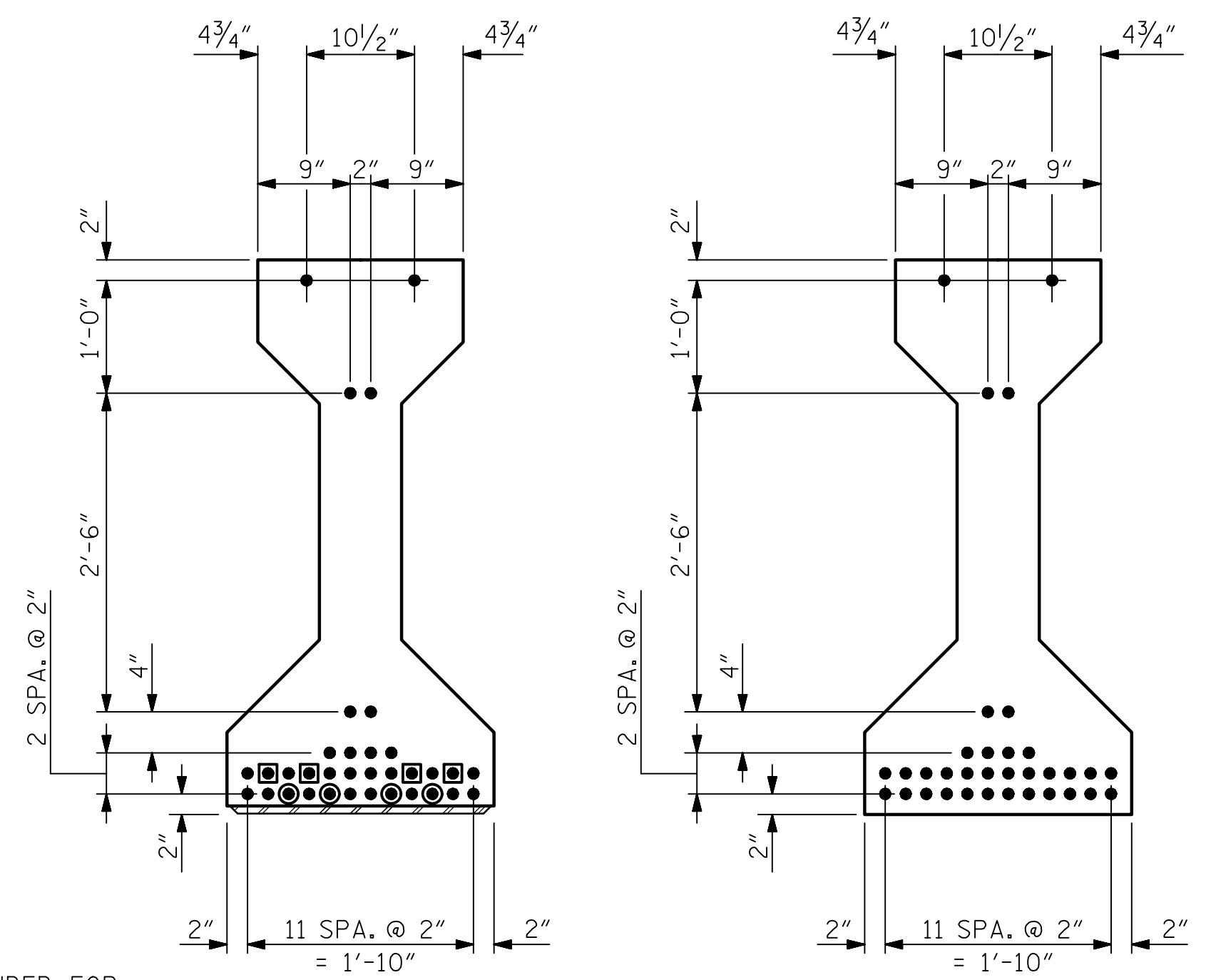
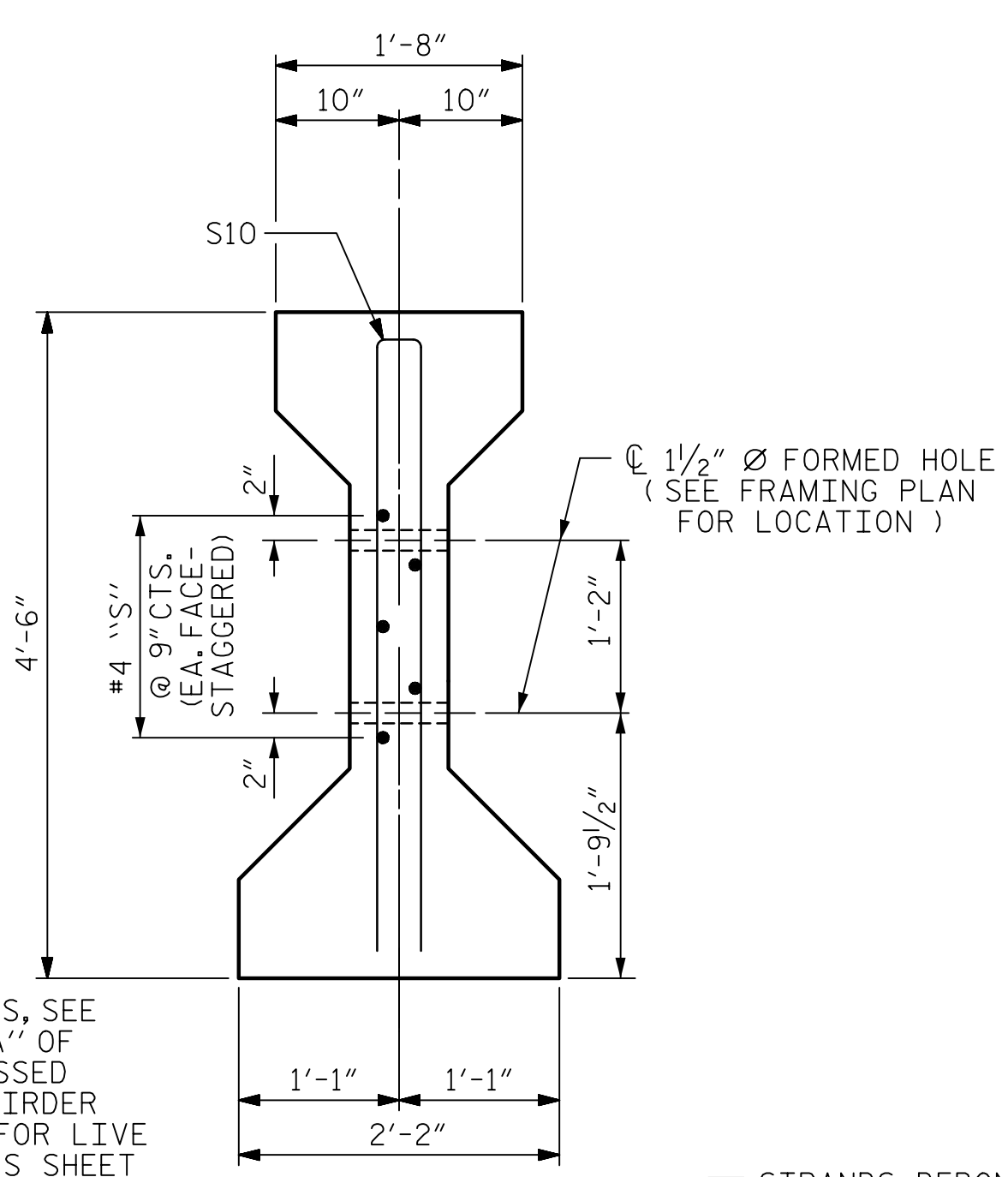
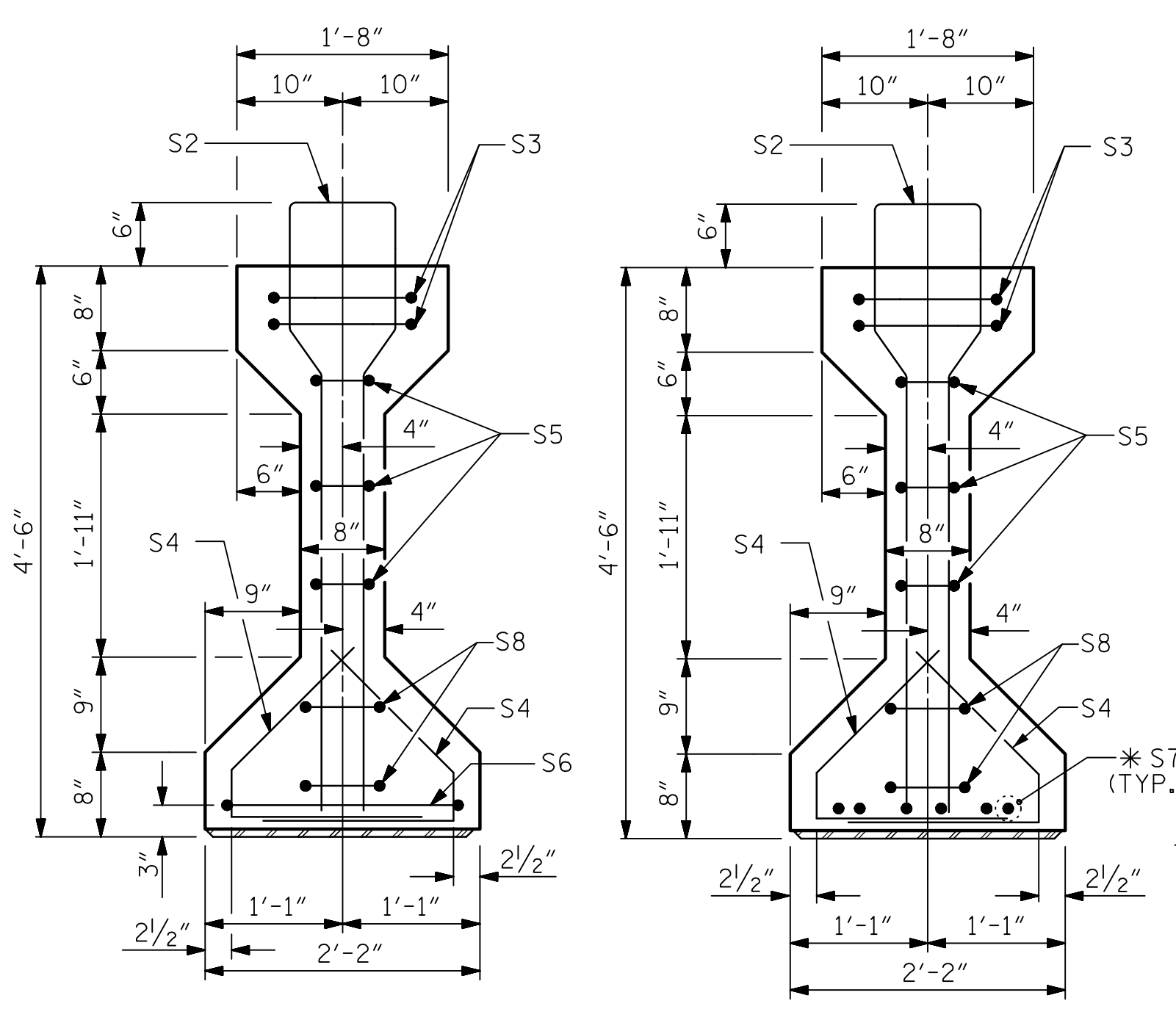


DATE: 2/9/2023
TIME: 12:37:19 PM

USER: catterm
DGN: pwi\acorn-na-pw.bentley.com\AECOM_DS21.NA.2020\Documents\60609754-U-5748 Ligon Mill\900-CAD GIS\910-CAD\70-NC00T-TIP\Structures\04 Drawings\401.039-U-5748-SMU_G2-S1-19_911021

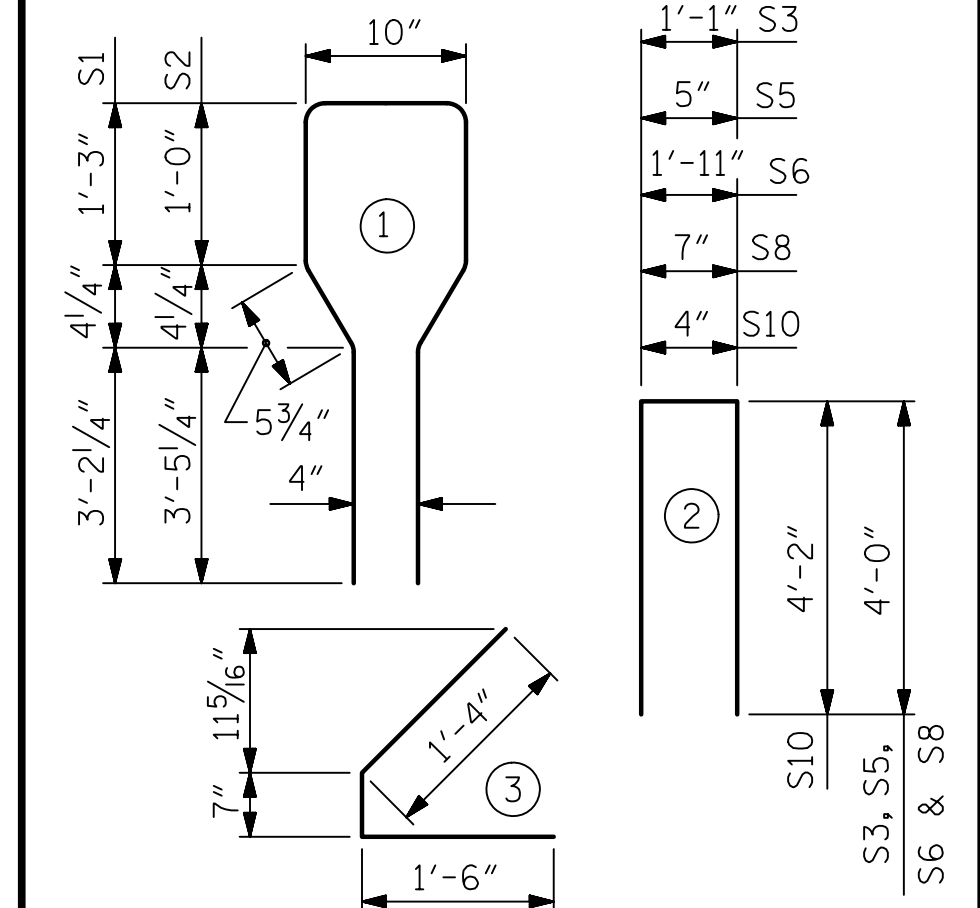


0.6" Ø L. R. GRADE 270 STRANDS		
AREA (SQUARE INCHES)	ULTIMATE STRENGTH (LBS. PER STRAND)	APPLIED PRESTRESS (LBS. PER STRAND)
0.217	58,600	43,950

REINFORCING STEEL FOR ONE GIRDER					
BAR	NUMBER	SIZE	TYPE	LENGTH	WEIGHT
S1	75	#4	1	10'-8"	534
S2	16	#6	1	10'-8"	256
S3	4	#4	2	9'-1"	24
S4	80	#4	3	3'-5"	183
S5	6	#4	2	8'-5"	34
S6	1	#4	2	9'-11"	7
* S7	6	#5	STR	3'-8"	23
S8	4	#4	2	8'-7"	23
S9	1	#3	STR	1'-10"	1
S10	2	#5	2	8'-8"	18
S11	5	#4	STR	7'-0"	23

* NOTE: S7 BARS SHALL BE BENT BEFORE SHIPMENT. HEAT BENDING SHALL NOT BE ALLOWED.

BAR TYPES
ALL BAR DIMENSIONS ARE OUT-TO-OUT



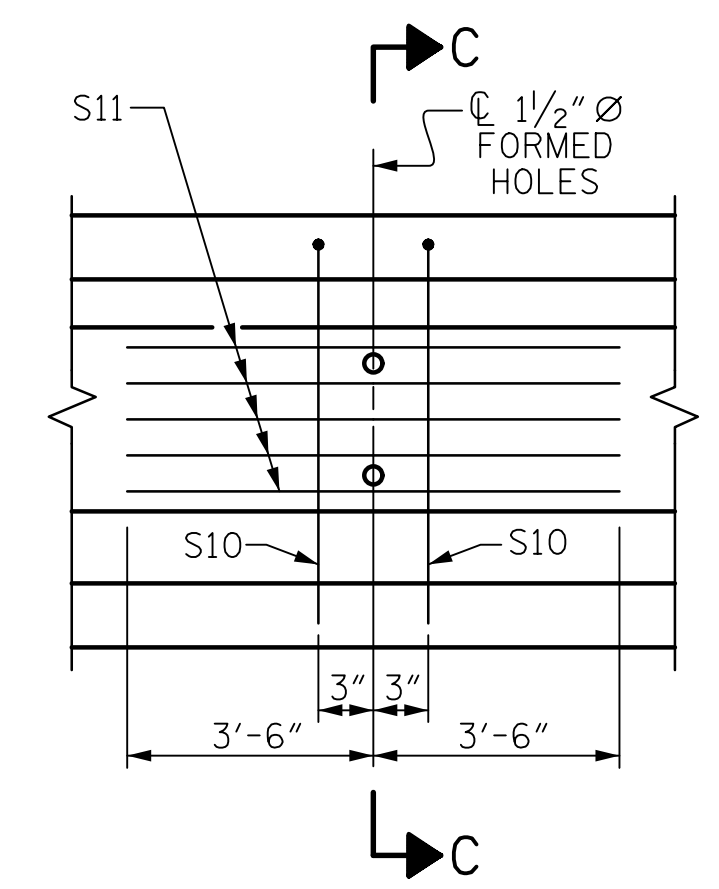
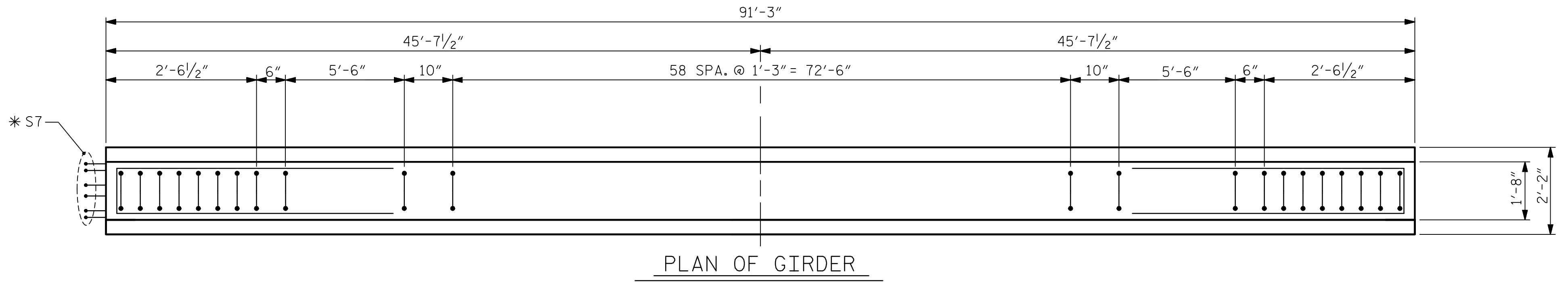
QUANTITIES FOR ONE GIRDER			
	REINFORCING STEEL LB.	8,000 PSI CONCRETE C.Y.	0.6" Ø L. R. STRANDS No.
GIRDER 1, 2 & 3	1,126	18.5	34

GIRDERS REQUIRED		
NUMBER	LENGTH	TOTAL LENGTH
3	91'-3"	273'-9"

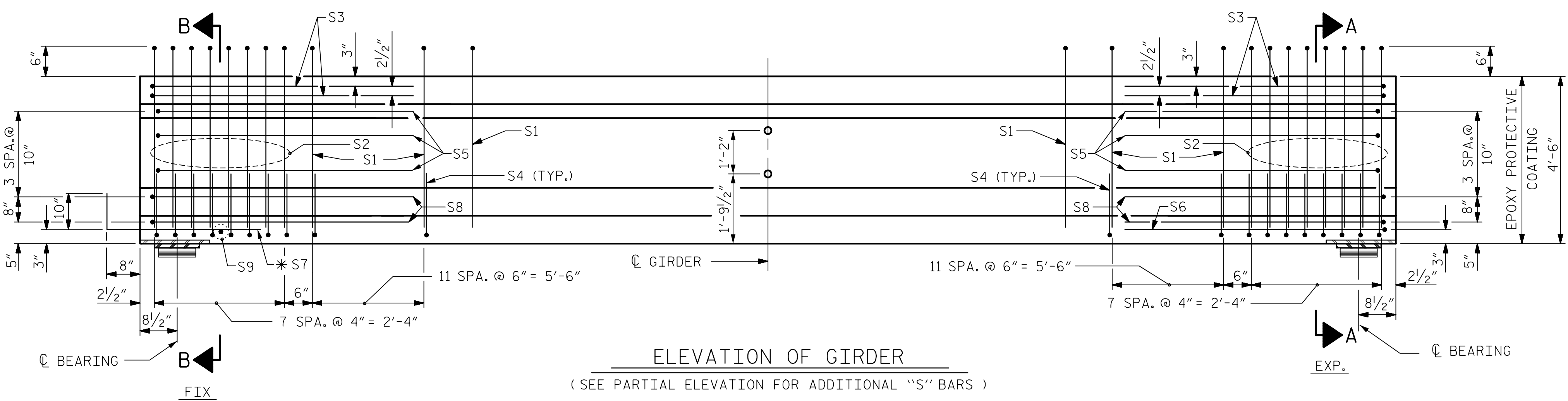
* FOR S7 BARS, SEE DETAIL "A" OF PRESTRESSED CONCRETE GIRDER CONTINUOUS FOR LIVE LOAD DETAILS SHEET

- STRANDS DEBONDED FOR 4'-0" FROM END OF GIRDER
- STRANDS DEBONDED FOR 8'-0" FROM END OF GIRDER

AT END OF GIRDER
AT C/L OF GIRDER
0.6" Ø LOW RELAXATION STRAND LAYOUT



SHOWING INTERMEDIATE DIAPHRAGM REINFORCING STEEL FOR GIRDER Nos. 1, 2 & 3



ELEVATION OF GIRDER
(SEE PARTIAL ELEVATION FOR ADDITIONAL "S" BARS)

PROJECT NO. U-5748
WAKE COUNTY
STATION: 24+88.00 -L-

SHEET 2 OF 5

AECOM
AECOM TECHNICAL SERVICES OF NC, INC.
5438 WADE PARK BOULEVARD, SUITE 200
RALEIGH, NC 27607
(919) 854-6200 www.aecom.com
AECOM License No. F-0342

John C. Morrison
NORTH CAROLINA PROFESSIONAL ENGINEER
SEAL 030474
2/10/2023

STATE OF NORTH CAROLINA
DEPARTMENT OF TRANSPORTATION
RALEIGH

STANDARD
AASHTO TYPE IV
PRESTRESSED CONCRETE GIRDER
CONTINUOUS FOR LIVE LOAD
SPAN B

REVISIONS						SHEET NO.	
NO.	BY:	DATE:	NO.	BY:	DATE:	S1-19	
1			3			TOTAL SHEETS	
2			4			119	

DOCUMENT NOT CONSIDERED FINAL UNLESS ALL SIGNATURES COMPLETED

ASSEMBLED BY : M. CATER	DATE : 10/2020
CHECKED BY : J.C. MORRISON	DATE : 05/2021
DRAWN BY : ELR 8/91	REV. 10/1/11 MAA/GM
CHECKED BY : GRP 8/91	REV. 1/15 MAA/TMG
	REV. 12/17 MAA/THC