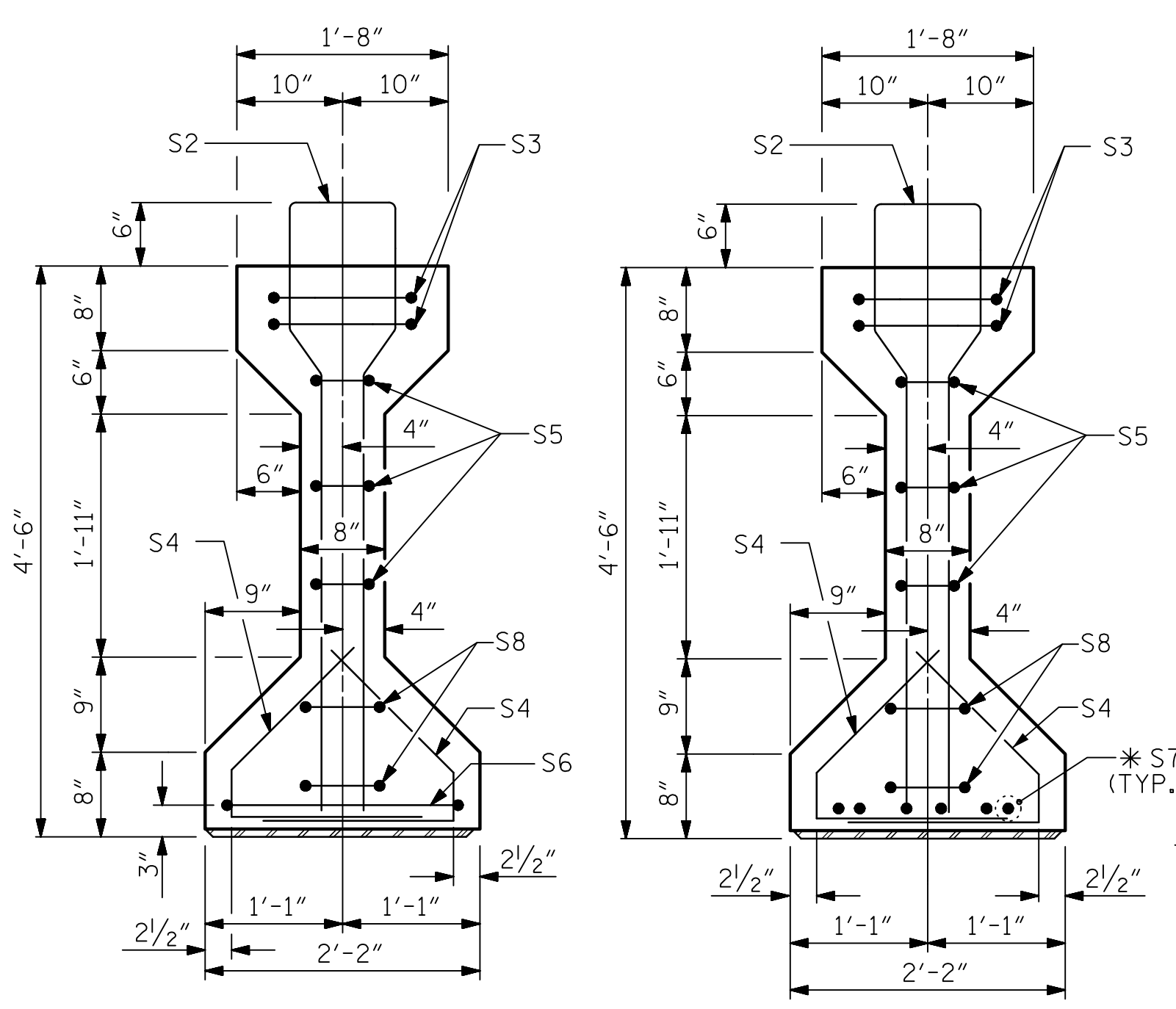
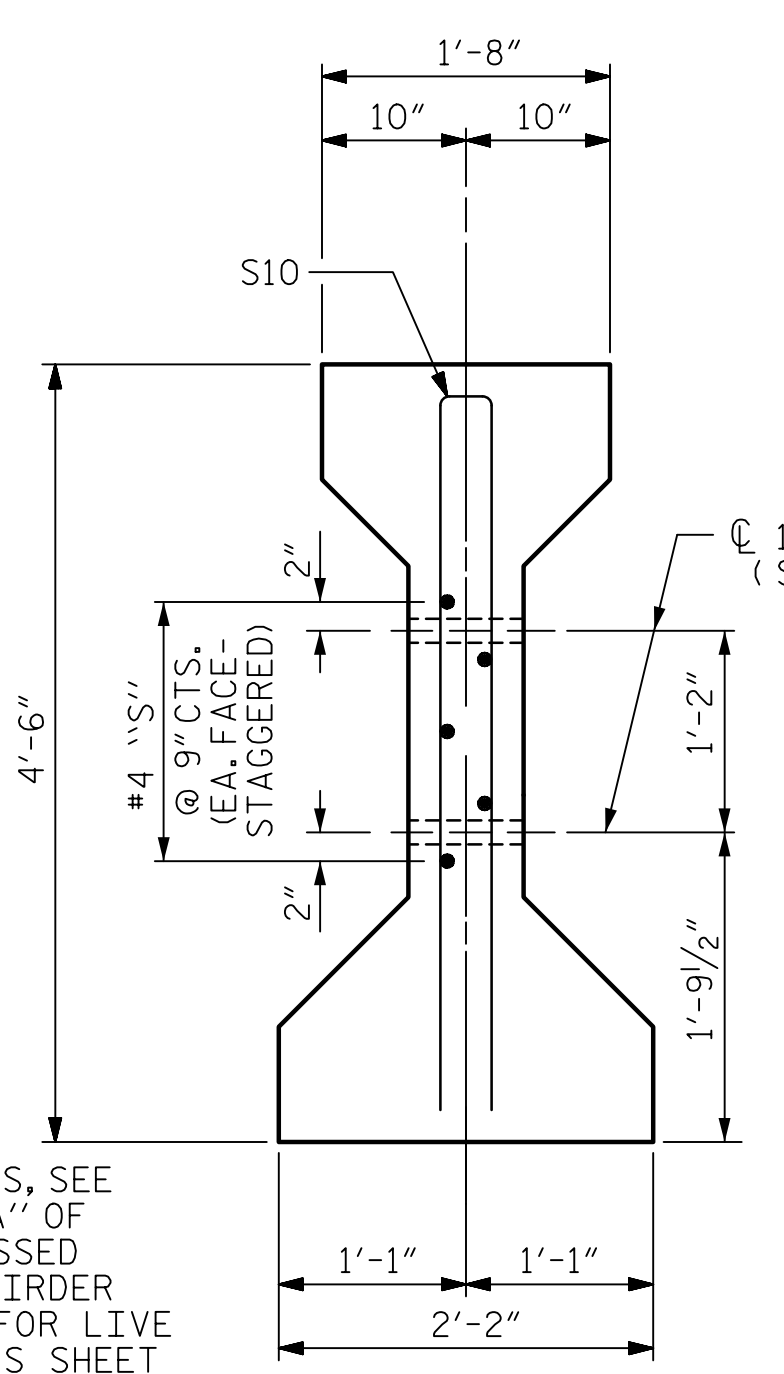


DATE: 2/9/2023
TIME: 12:57:08 PM

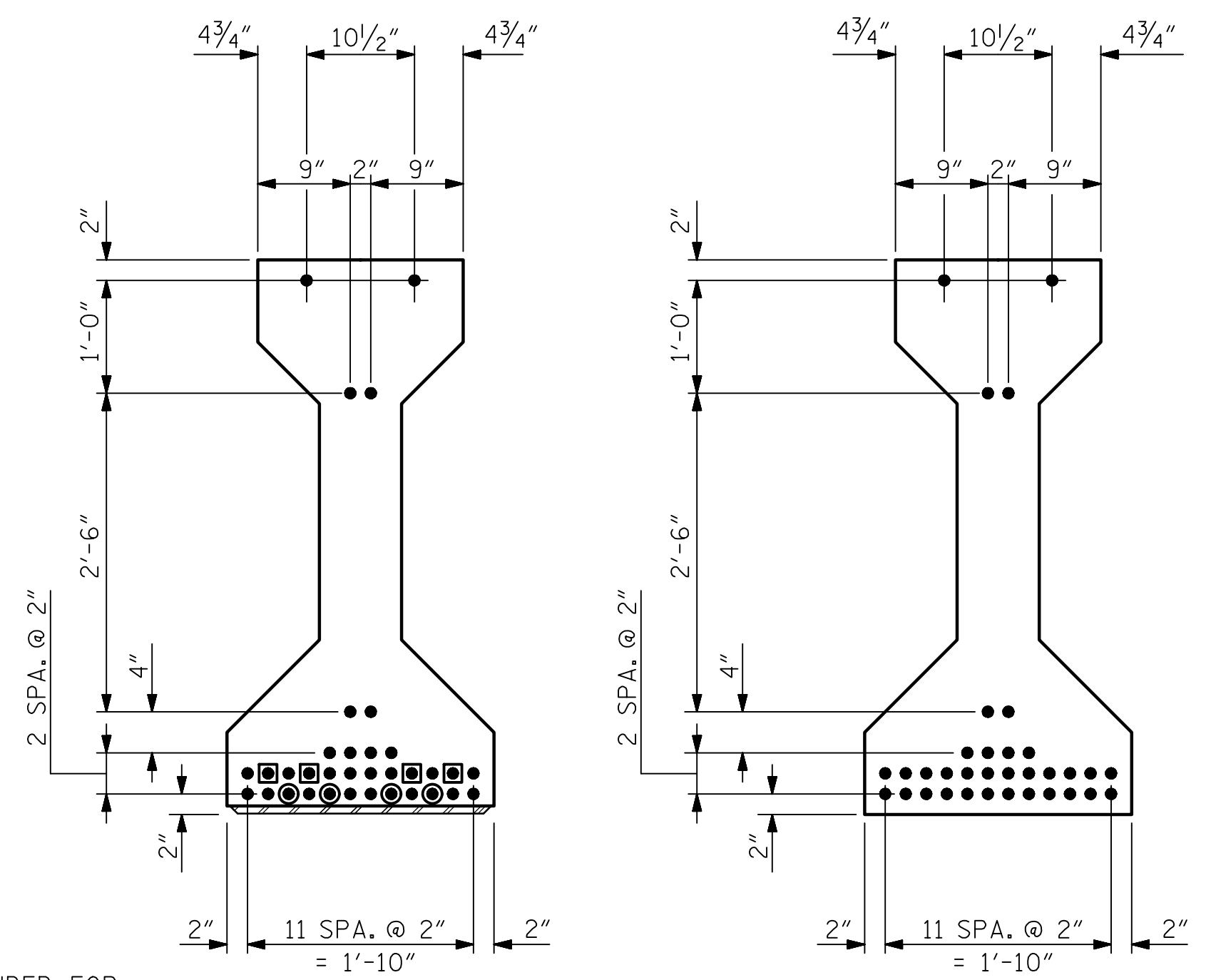
USER: c:\pwworking\john.morrison\Documents\60609754-U-5748 Ligon Mill\900-CAD GIS\910-CAD\70-NC00T-TIP\Structures\04 Drawings\401.037.U-5748.SMU.G1.S1-18.91021



* FOR S7 BARS, SEE
DETAIL "A" OF
PRESTRESSED
CONCRETE GIRDER
CONTINUOUS FOR LIVE
LOAD DETAILS SHEET



- STRANDS DEBONDED FOR 4'-0" FROM END OF GIRDER
- STRANDS DEBONDED FOR 8'-0" FROM END OF GIRDER



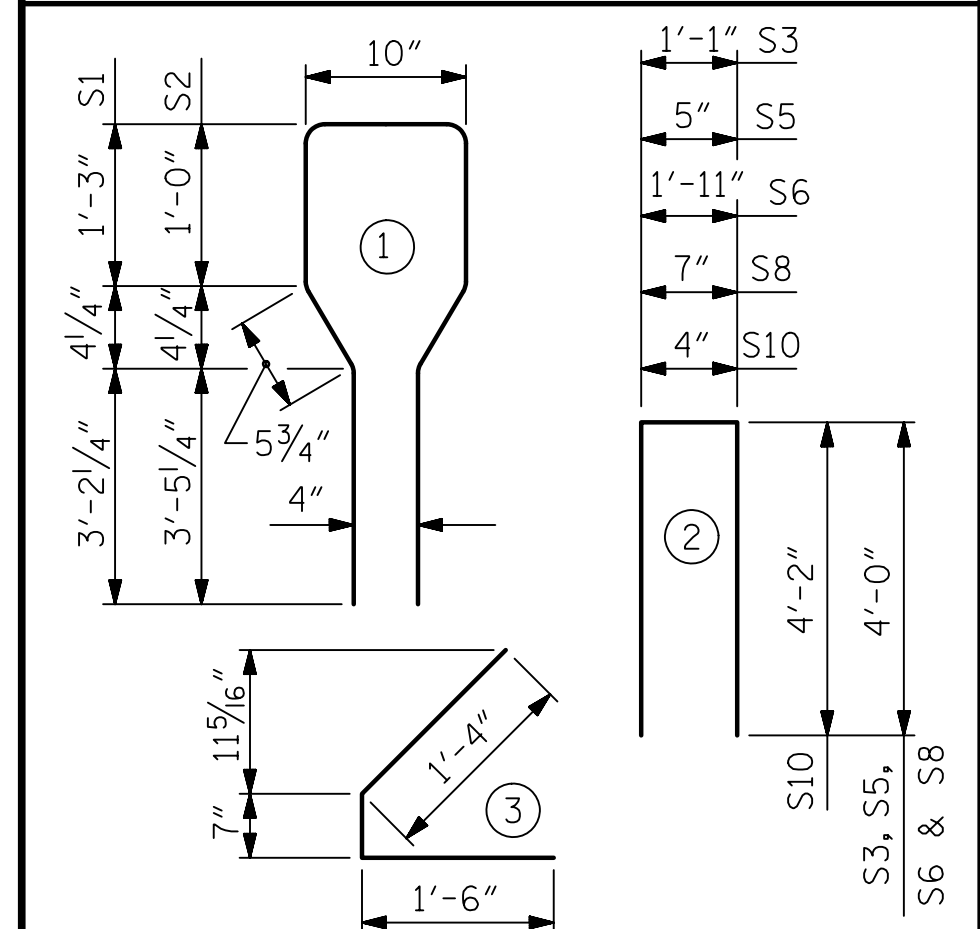
0.6" Ø L. R. GRADE 270 STRANDS		
AREA (SQUARE INCHES)	ULTIMATE STRENGTH (LBS. PER STRAND)	APPLIED PRESTRESS (LBS. PER STRAND)
0.217	58,600	43,950

REINFORCING STEEL FOR ONE GIRDER					
BAR	NUMBER	SIZE	TYPE	LENGTH	WEIGHT
S1	74	#4	1	10'-8"	527
S2	16	#6	1	10'-8"	256
S3	4	#4	2	9'-1"	24
S4	80	#4	3	3'-5"	183
S5	6	#4	2	8'-5"	34
S6	1	#4	2	9'-11"	7
* S7	6	#5	STR	3'-8"	23
S8	4	#4	2	8'-7"	23
S9	1	#3	STR	1'-10"	1
S10	2	#5	2	8'-8"	18
S11	5	#4	STR	7'-0"	23

* NOTE: S7 BARS SHALL BE BENT BEFORE SHIPMENT. HEAT BENDING SHALL NOT BE ALLOWED.

BAR TYPES

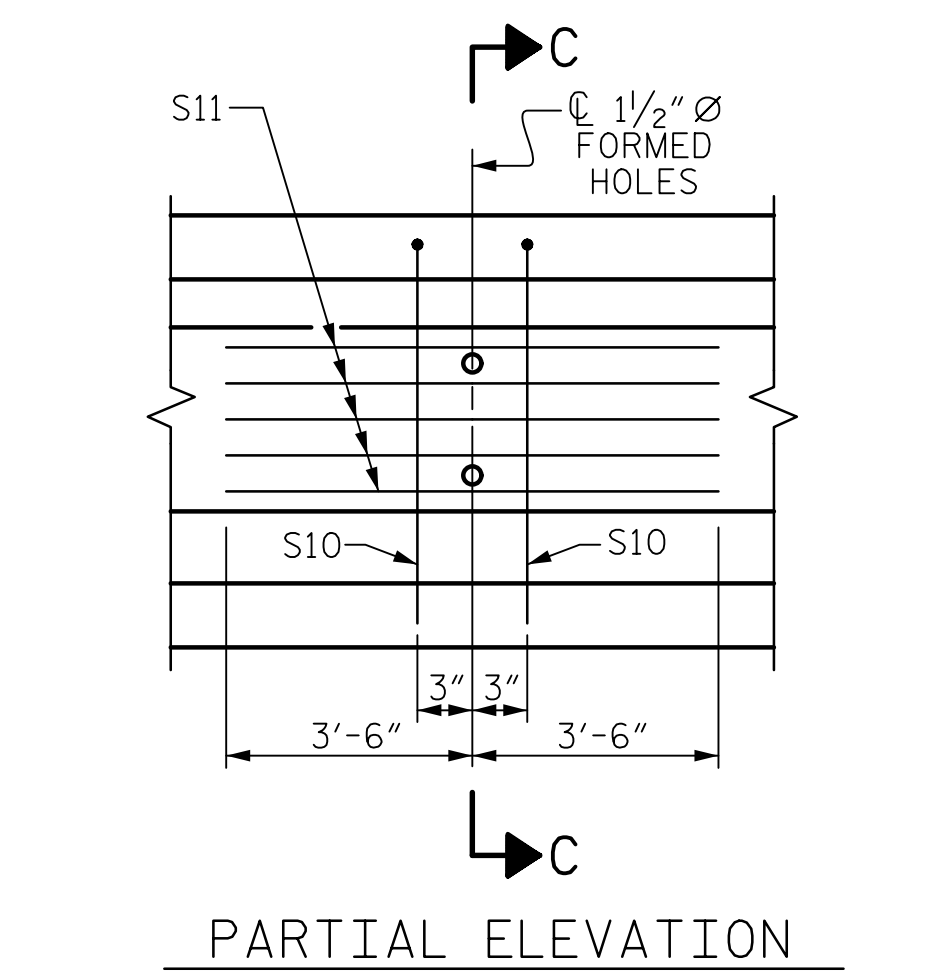
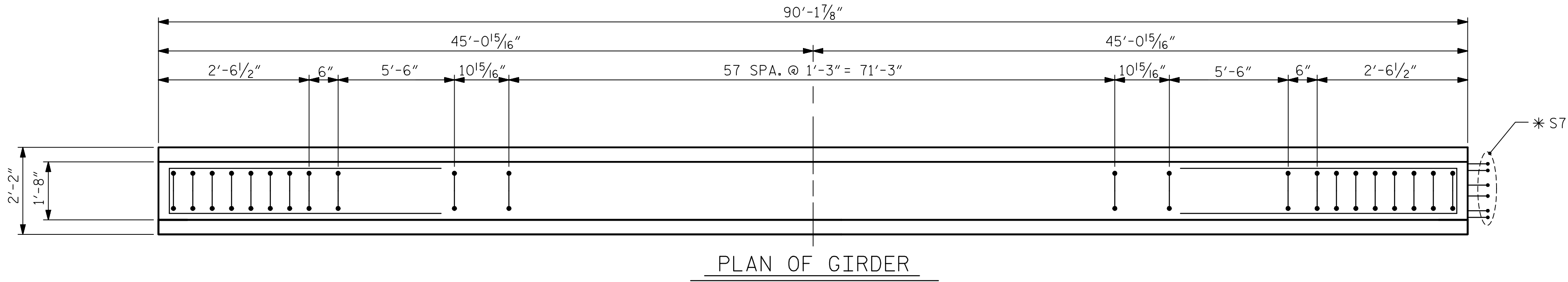
ALL BAR DIMENSIONS ARE OUT-TO-OUT



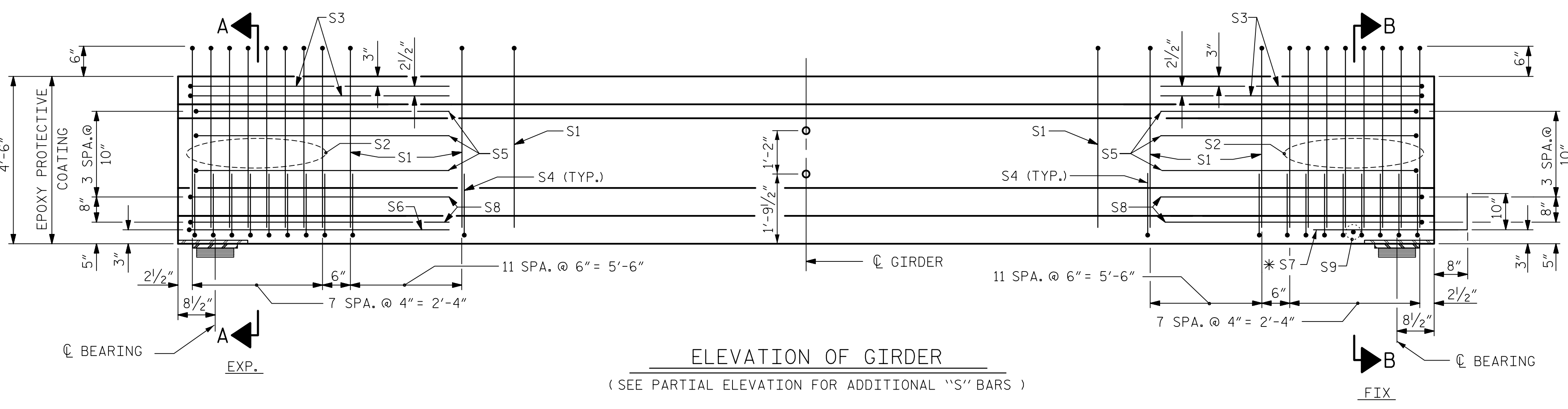
QUANTITIES FOR ONE GIRDER			
	REINFORCING STEEL LB.	8,000 PSI CONCRETE C.Y.	0.6" Ø L. R. STRANDS No.
GIRDER 1, 2 & 3	1,119	18.3	34

GIRDERS REQUIRED

NUMBER	LENGTH	TOTAL LENGTH
3	90'-17 1/8"	270'-5 5/8"



SHOWING INTERMEDIATE DIAPHRAGM REINFORCING STEEL FOR GIRDER Nos. 1, 2 & 3



(SEE PARTIAL ELEVATION FOR ADDITIONAL "S" BARS)

ASSEMBLED BY : M. CATER	DATE : 10/2020
CHECKED BY : J.C. MORRISON	DATE : 05/2021
DRAWN BY : ELR 8/91	REV. 10/1/11 MAA/GM
CHECKED BY : GRP 8/91	REV. 1/15 MAA/TMG
	REV. 12/17 MAA/THC

DOCUMENT NOT CONSIDERED FINAL UNLESS ALL SIGNATURES COMPLETED

AECOM
AECOM TECHNICAL SERVICES OF NC, INC.
5438 WADE PARK BOULEVARD, SUITE 200
RALEIGH, NC 27607
(919) 854-6200 www.aecom.com
AECOM License No. F-0342

JOHN C. MORRISON
NORTH CAROLINA PROFESSIONAL ENGINEER
SEAL 030474
2/10/2023

PROJECT NO. U-5748
WAKE COUNTY
STATION: 24+88.00 -L-
SHEET 1 OF 5

STATE OF NORTH CAROLINA
DEPARTMENT OF TRANSPORTATION
RALEIGH

STANDARD
AASHTO TYPE IV
PRESTRESSED CONCRETE GIRDER
CONTINUOUS FOR LIVE LOAD
SPAN A

REVISIONS						SHEET NO.	
NO.	BY:	DATE:	NO.	BY:	DATE:	S1-18	
1			3			TOTAL SHEETS	
2			4			119	