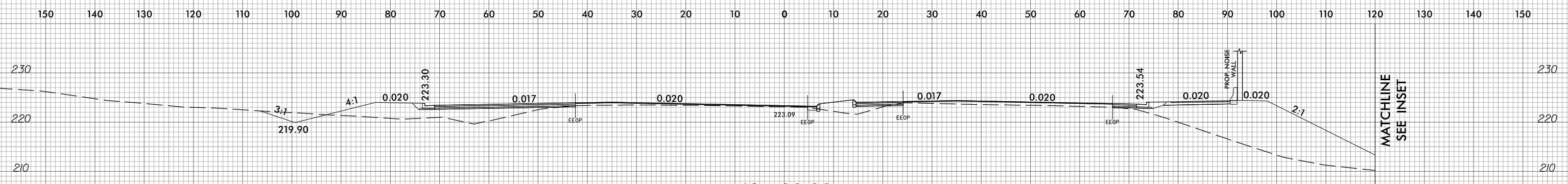
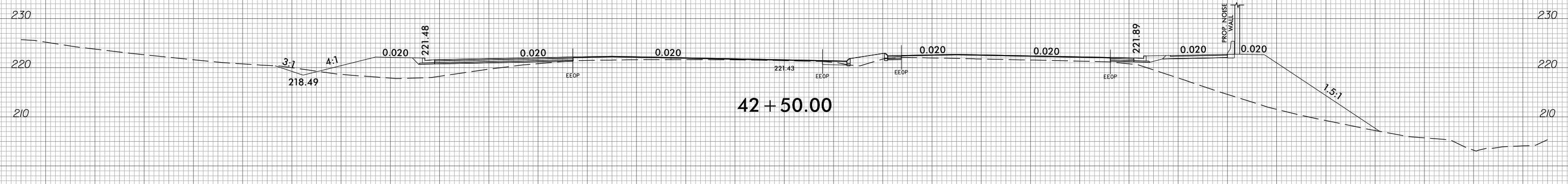


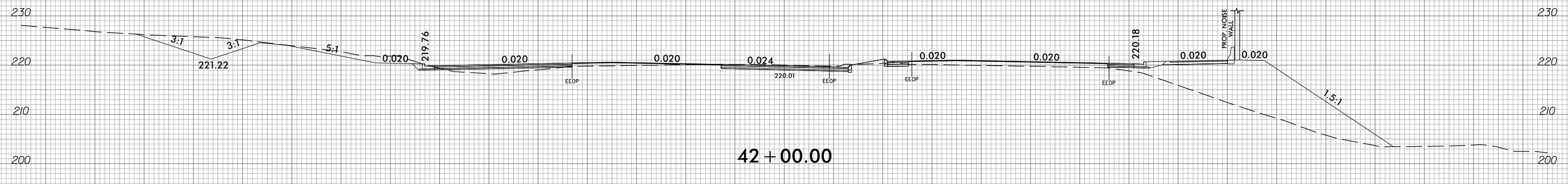
6/23/16



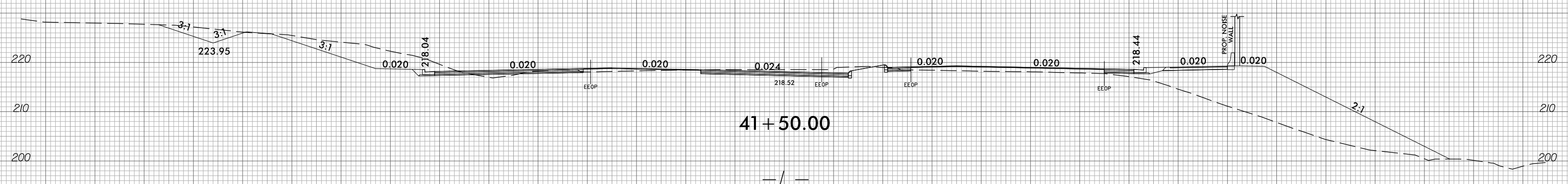
43 + 00.00



42 + 50.00



42 + 00.00



41 + 50.00

2/2/2023
U-5748_Road_xpl.dwg
patrick.mepher-son

