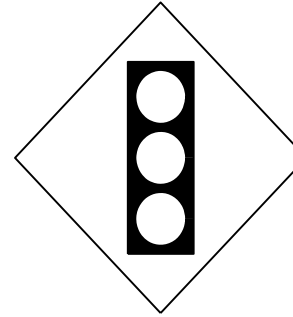


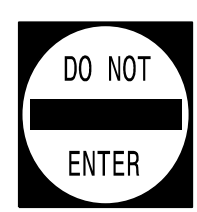





<p>401 QUANTITY REQ'D .3_</p>  <p>30 X 30 W3-3</p> <p>ONE "U" POST PER SIGN</p>	<p>402 QUANTITY REQ'D .2_</p>  <p>36 X 36 R3-4</p> <p>ONE "U" POST PER SIGN</p>	<p>404 QUANTITY REQ'D .4_</p>  <p>42 X 30 R5-1A</p> <p>TWO "U" POST PER SIGN</p>	<p>405 QUANTITY REQ'D .4_</p>  <p>36 X 36 R5-1</p> <p>ONE "U" POST PER SIGN</p>	<p>406 QUANTITY REQ'D .9_</p>  <p>54 X 18 R6-1 (L)</p> <p>TWO "U" POSTS PER SIGN</p>	<p>407 QUANTITY REQ'D .1_</p>  <p>54 X 18 R6-1 (R)</p> <p>TWO "U" POSTS PER SIGN</p>
--	--	---	--	---	---

APPROVED: _____

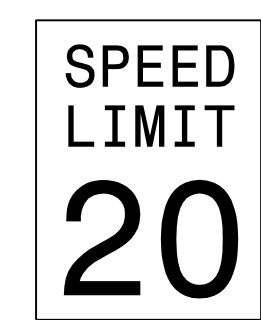



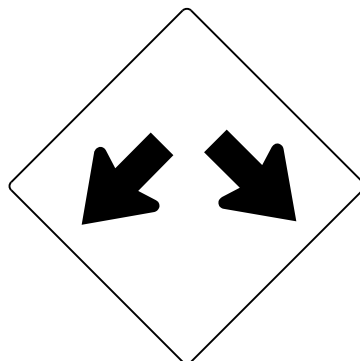

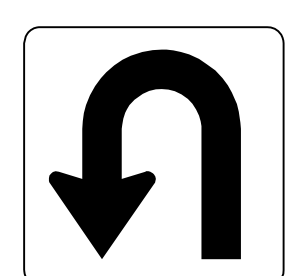
DATE: _____



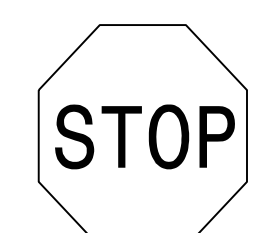
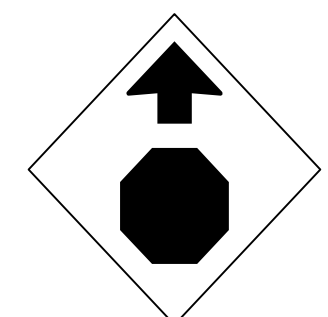



SEAL

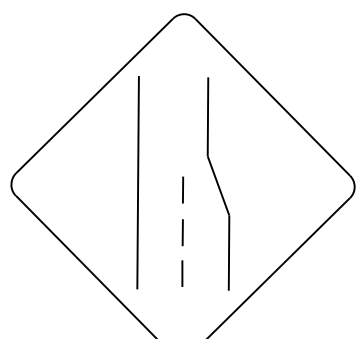

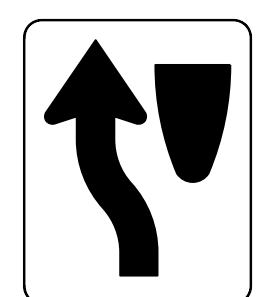
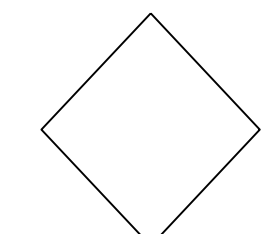
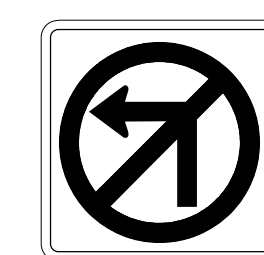




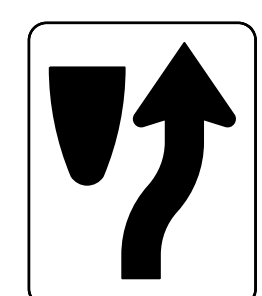
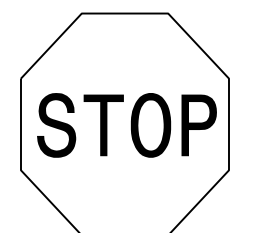
3/7/2023

**DOCUMENT NOT CONSIDERED FINAL
UNLESS ALL SIGNATURES COMPLETED**

<p>408 QUANTITY REQ'D .2_</p>  <p>24 X 30 R2-1</p> <p>ONE "U" POST PER SIGN</p>	<p>409 QUANTITY REQ'D .2_</p>  <p>30 X 36 R2-1</p> <p>ONE "U" POST PER SIGN</p>	<p>410 QUANTITY REQ'D .6_</p>  <p>30 X 36 R2-1</p> <p>ONE "U" POST PER SIGN</p>	<p>411 QUANTITY REQ'D .1_</p>  <p>30 X 36 R2-1</p> <p>ONE "U" POST PER SIGN</p>	<p>412 QUANTITY REQ'D .7_</p>  <p>36 X 36 W12-1</p> <p>ONE "U" POST PER SIGN</p>	<p>413 QUANTITY REQ'D .4_</p>  <p>36 X 36 R3-7</p> <p>ONE "U" POST PER SIGN</p>	<p>414 QUANTITY REQ'D .2_</p>  <p>21 X 21 RNC3-26</p> <p>MOUNT BELOW SIGN 502 IN 2 INSTALLATIONS</p>
--	---	--	--	---	--	---

<p>415 QUANTITY REQ'D .2_</p>  <p>36 X 36 W8-13</p> <p>ONE "U" POST PER SIGN</p>	<p>417 QUANTITY REQ'D .6_</p>  <p>30 X 30 W11-2</p> <p>YELLOW/GREEN REFLECTIVE SHEETING ONE "U" POST PER SIGN</p>	<p>418 QUANTITY REQ'D .2_</p>  <p>30 X 30 R1-1</p> <p>ONE "U" POST PER SIGN</p>	<p>419 QUANTITY REQ'D .1_</p>  <p>30 X 30 W3-1</p> <p>ONE "U" POST PER SIGN</p>	<p>420 QUANTITY REQ'D .2_</p>  <p>30 X 30 W14-2</p> <p>ONE "U" POST PER SIGN</p>	<p>421 QUANTITY REQ'D .1_</p>  <p>30 X 30 W1-2L</p> <p>ONE "U" POST PER SIGN</p>	<p>422 QUANTITY REQ'D .1_</p>  <p>36 X 36 W3-5</p> <p>ONE "U" POST PER SIGN</p>
--	--	---	---	--	--	---

<p>423 QUANTITY REQ'D .1_</p>  <p>36 X 36 W4-2</p> <p>ONE "U" POST PER SIGN</p>	<p>426 QUANTITY REQ'D .1_</p>  <p>24 X 18 R3-17 24 X 8 R3-17P</p> <p>ONE "U" POST PER SIGN</p>	<p>427 QUANTITY REQ'D .1_</p>  <p>24 X 30 R4-8</p> <p>ONE "U" POST PER SIGN</p>	<p>428 QUANTITY REQ'D .3_</p>  <p>18 X 18 OM4-3</p> <p>ONE "U" POST PER SIGN</p>	<p>429 QUANTITY REQ'D .1_</p>  <p>36 X 36 R3-2</p> <p>ONE "U" POST PER SIGN</p>	<p>430 QUANTITY REQ'D .2_</p>  <p>24 X 12 W16-7PL</p> <p>MOUNT BELOW SIGN 417 IN 2 INSTALLATIONS</p>	<p>431 QUANTITY REQ'D .2_</p>  <p>24 X 12 W16-7PR</p> <p>MOUNT BELOW SIGN 417 IN 2 INSTALLATIONS</p>
--	--	--	---	--	---	---

<p>432 QUANTITY REQ'D .2_</p>  <p>24 X 30 R4-7</p> <p>ONE "U" POST PER SIGN</p>	<p>433 QUANTITY REQ'D .7_</p>  <p>36 X 36 R1-1</p> <p>ONE "U" POST PER SIGN</p>					
--	--	--	--	--	--	--

TYPE "E" SIGNS