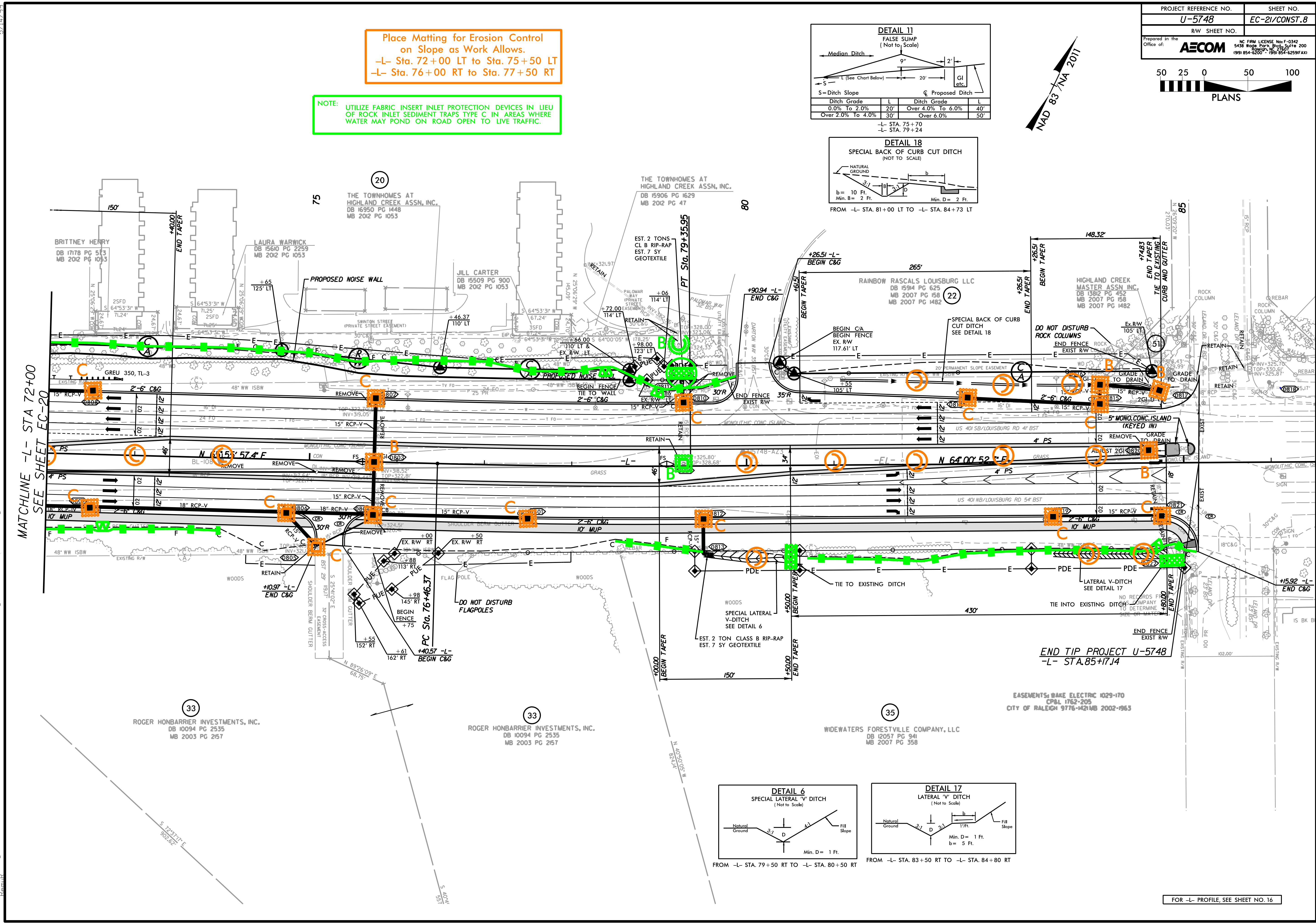
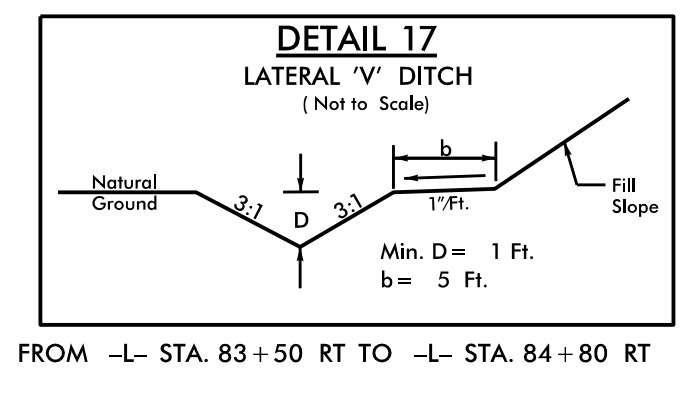
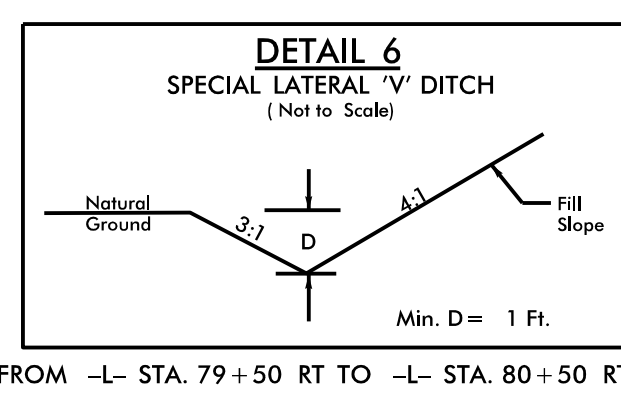
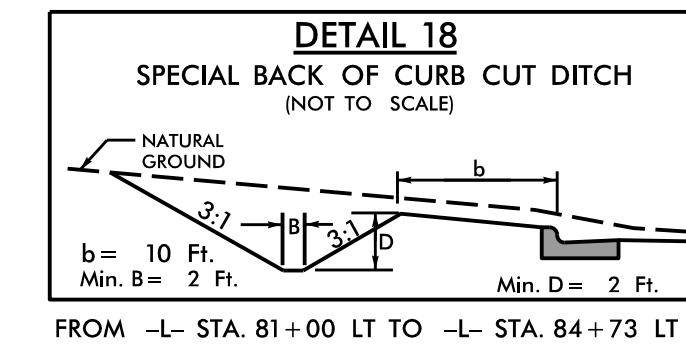
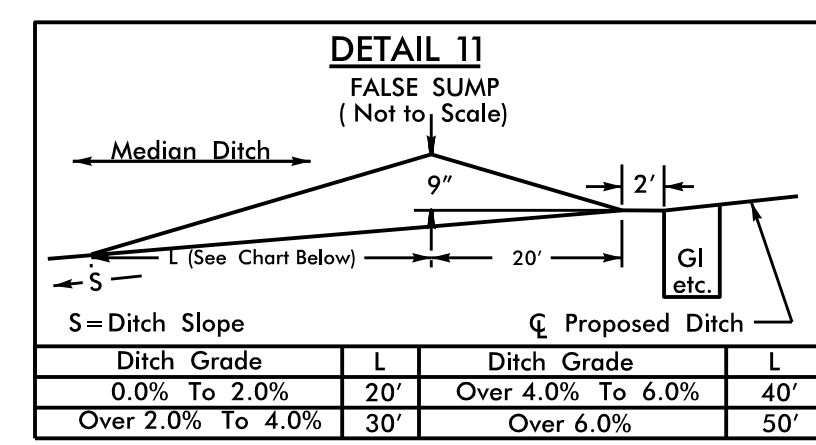


Place Matting for Erosion Control on Slope as Work Allows.  
 -L- Sta. 72+00 LT to Sta. 75+50 LT  
 -L- Sta. 76+00 RT to Sta. 77+50 RT

NOTE: UTILIZE FABRIC INSERT INLET PROTECTION DEVICES IN LIEU OF ROCK INLET SEDIMENT TRAPS TYPE C IN AREAS WHERE WATER MAY POND ON ROAD OPEN TO LIVE TRAFFIC.



MATCHLINE -L- STA 72+00  
SEE SHEET EC-20

END TIP PROJECT U-5748  
-L- STA. 85+74

EASEMENTS: WAKE ELECTRIC 1029-170  
CP&L 1762-205  
CITY OF RALEIGH 9776-421MB 2002-1963

5/14/2011 11:55:33 AM Ligon Mill\900-CAD\_GIS\910-CAD\_GIS\910-CAD\_7070\_NCDDOT\_TIP\Environmental\Design\U5748\_EC\_psh21.FG.dgn  
 5/14/2011 11:55:33 AM Ligon Mill\900-CAD\_GIS\910-CAD\_7070\_NCDDOT\_TIP\Environmental\Design\U5748\_EC\_psh21.FG.dgn