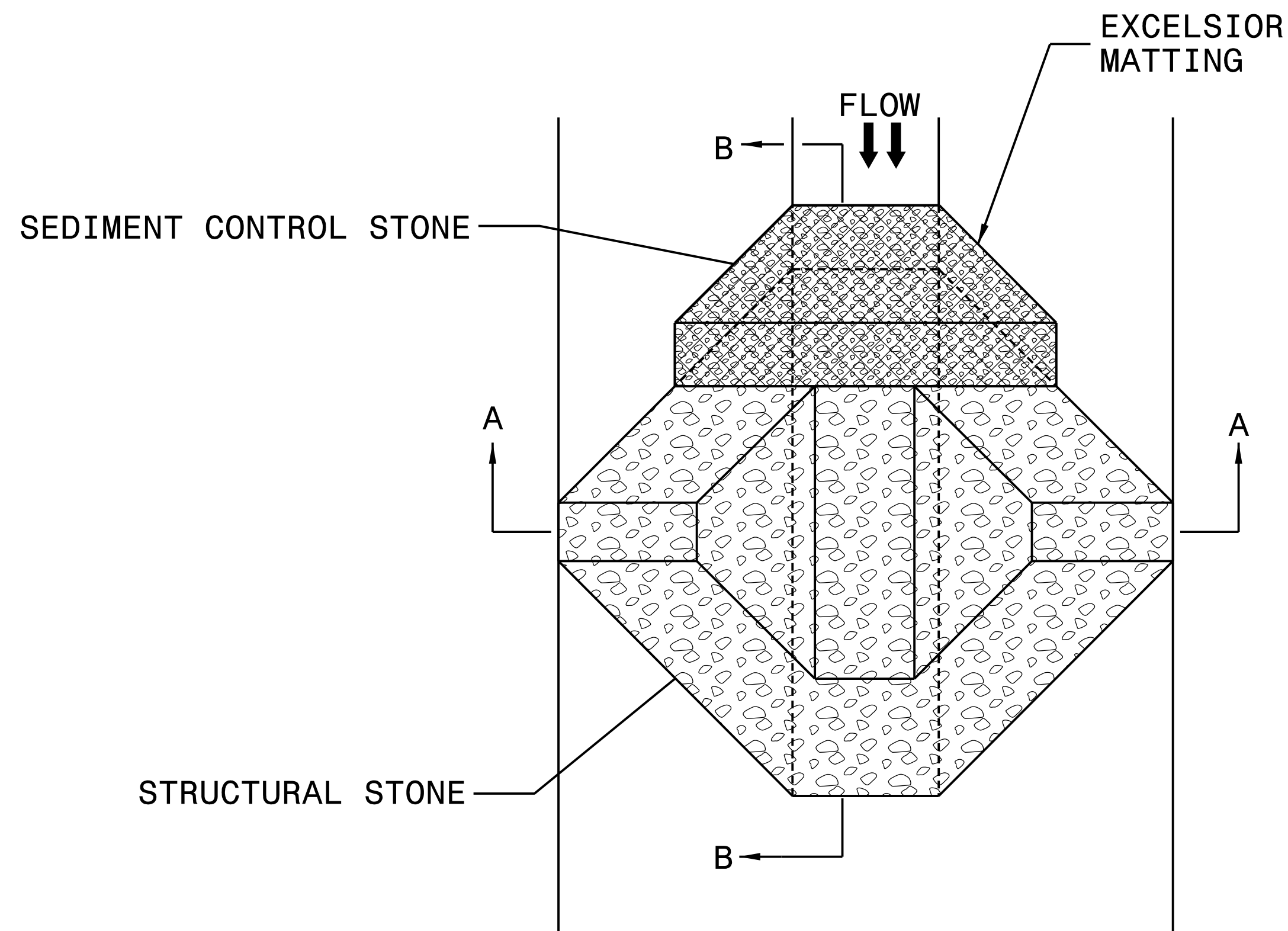


PROJECT REFERENCE NO.	SHEET NO.
U-5748	EC-02B
RW SHEET NO.	
Prepared in the Office of: <b>AECOM</b>	
<small>NC FIRM LICENSE No. F-0342  5438 Roper Park Blvd., Suite 200  Raleigh, NC 27607  (919) 854-6200 • (919) 854-6259 (FAX)</small>	

# TEMPORARY ROCK SILT CHECK TYPE 'A' WITH EXCELSIOR MATTING AND POLYACRYLAMIDE (PAM)



PLAN

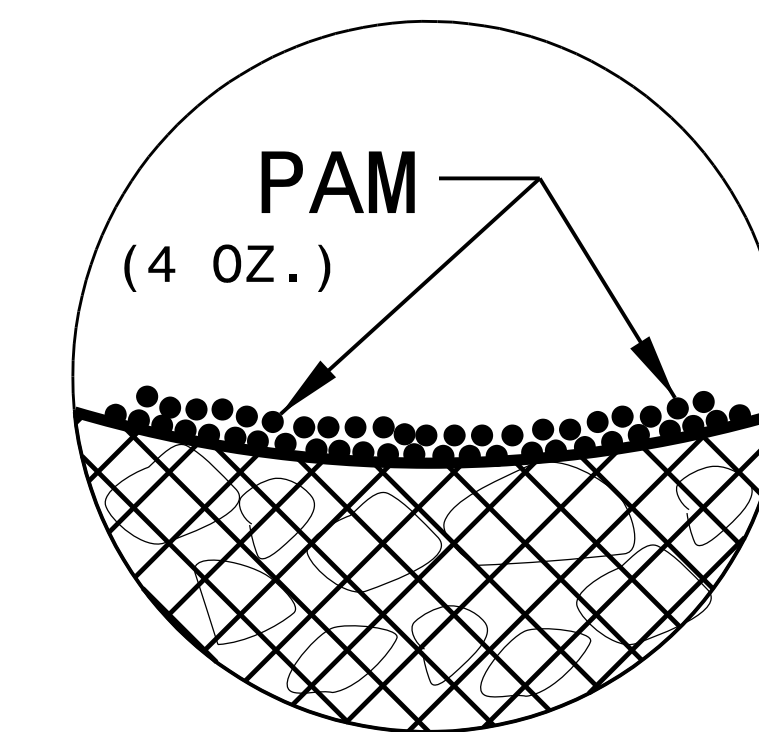
**NOTES:**

INSTALL TEMPORARY ROCK SILT CHECK TYPE A IN ACCORDANCE WITH ROADWAY STANDARD DRAWING NO. 1633.01.

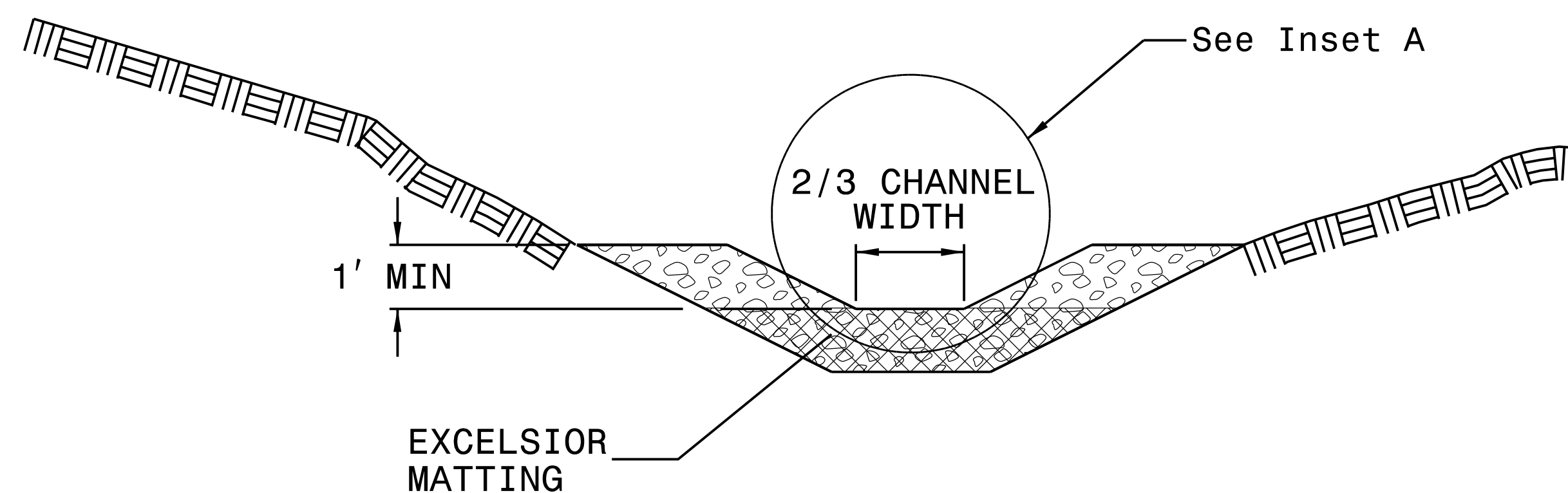
USE EXCELSIOR FOR MATTING MATERIAL AND ANCHOR MATTING SECTION AT TOP AND BOTTOM WITH CLASS B STONE.

PRIOR TO POLYACRYLAMIDE (PAM) APPLICATION, OBTAIN A SOIL SAMPLE FROM PROJECT LOCATION, AND FROM OFFSITE MATERIAL, AND ANALYZE FOR APPROPRIATE PAM FLOCCULANT TO BE APPLIED TO EACH ROCK SILT CHECK.

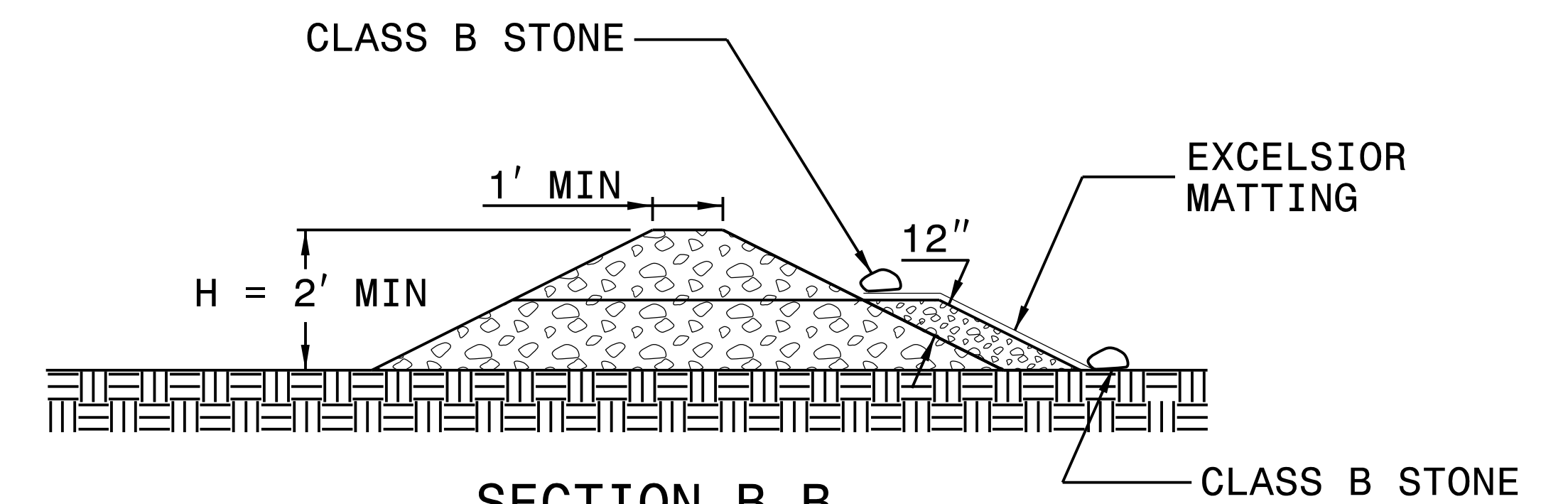
INITIALLY APPLY 4 OUNCES OF POLYACRYLAMIDE (PAM) TO TOP OF MATTING SECTION AND AFTER EVERY RAINFALL EVENT THAT EQUALS OR EXCEEDS 0.50 INCHES.



INSET A



SECTION A-A



SECTION B-B

NOT TO SCALE

5/14/99  
 9:46:04 AM  
 L:\900-CAD-GIS\910-CAD\70-NCDDOT-TIP\Environmental\Design\U5748\_EC\_EC02B\_TRSC\_A\_with\_PAM\_Detail.dgn  
 U-5748