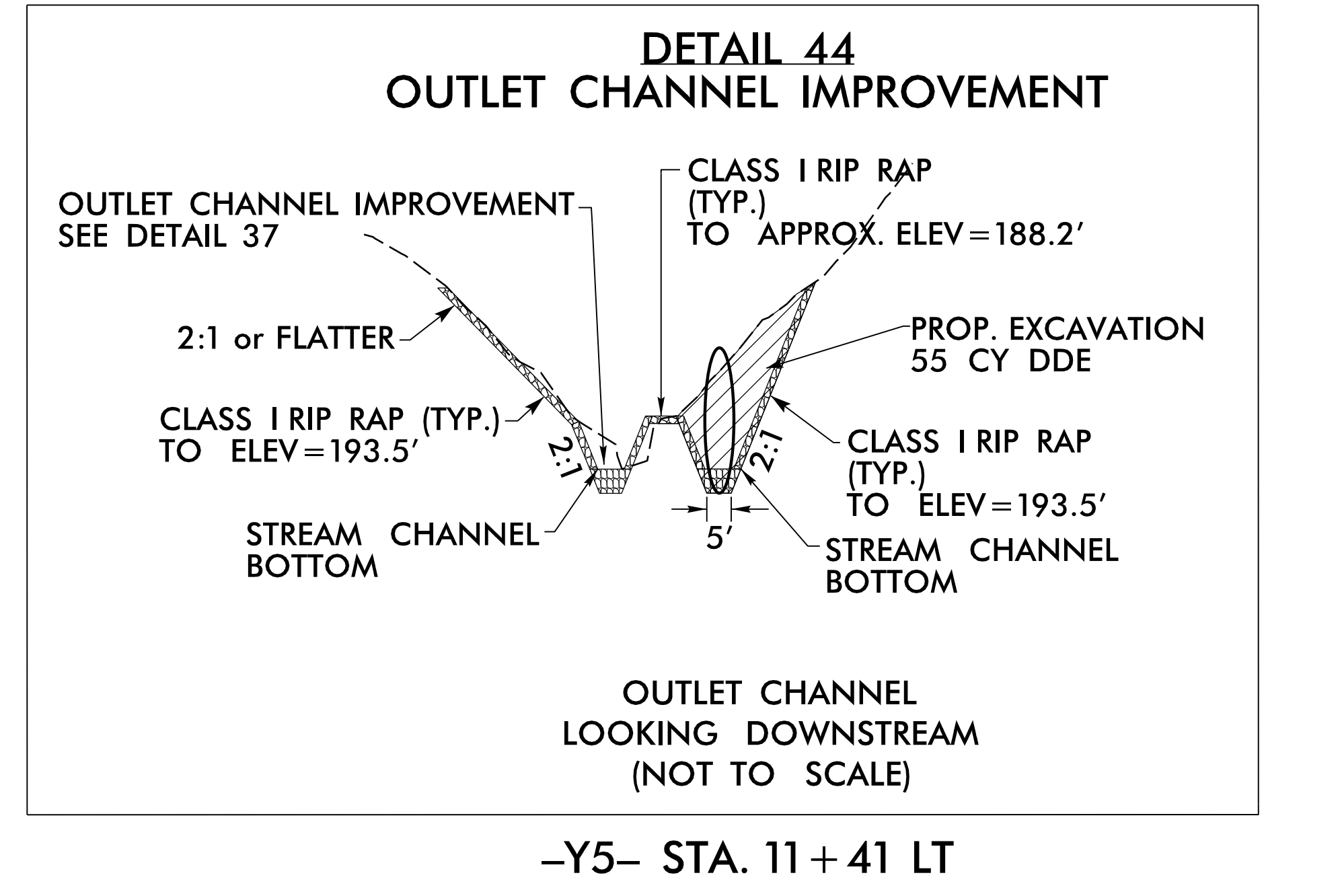
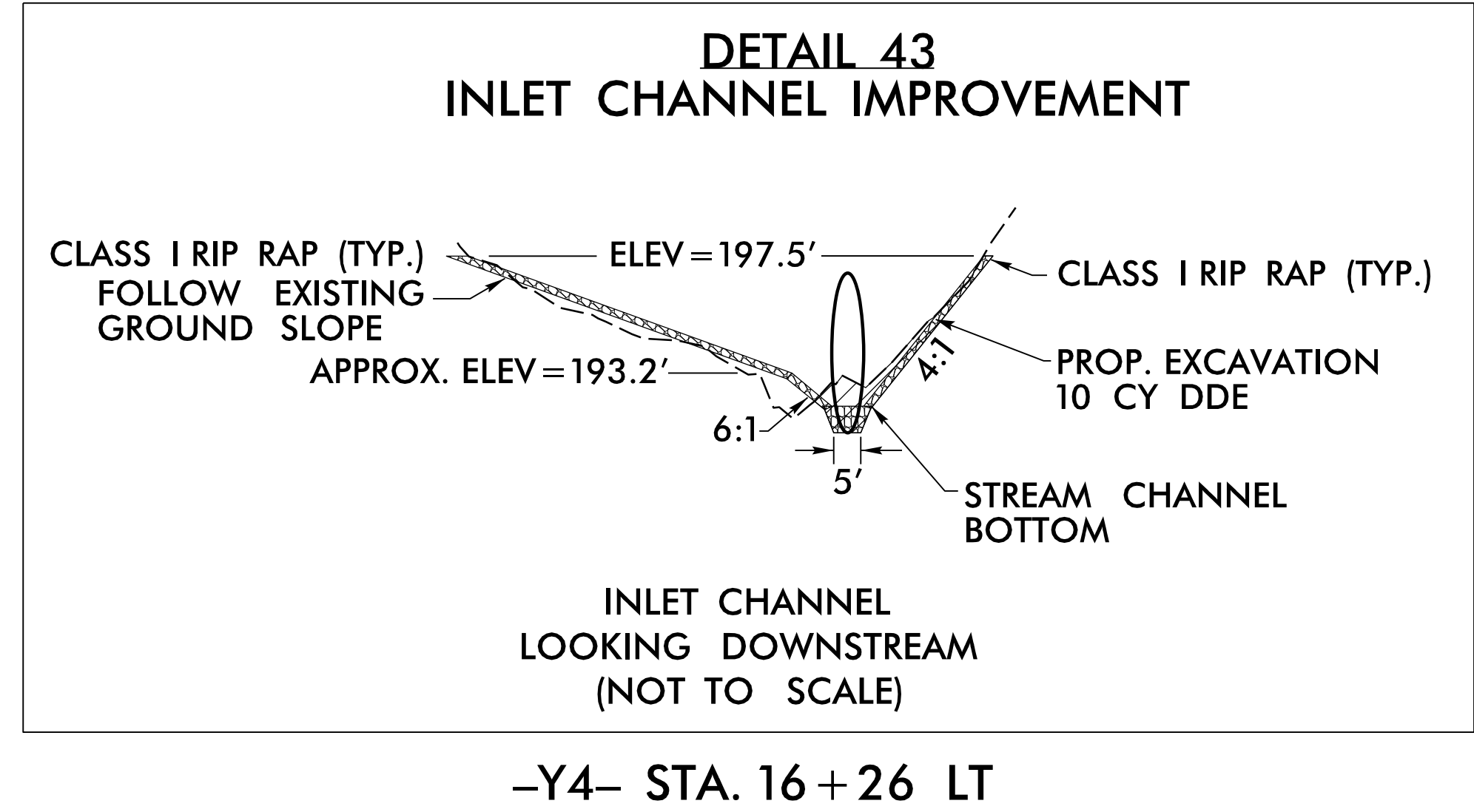
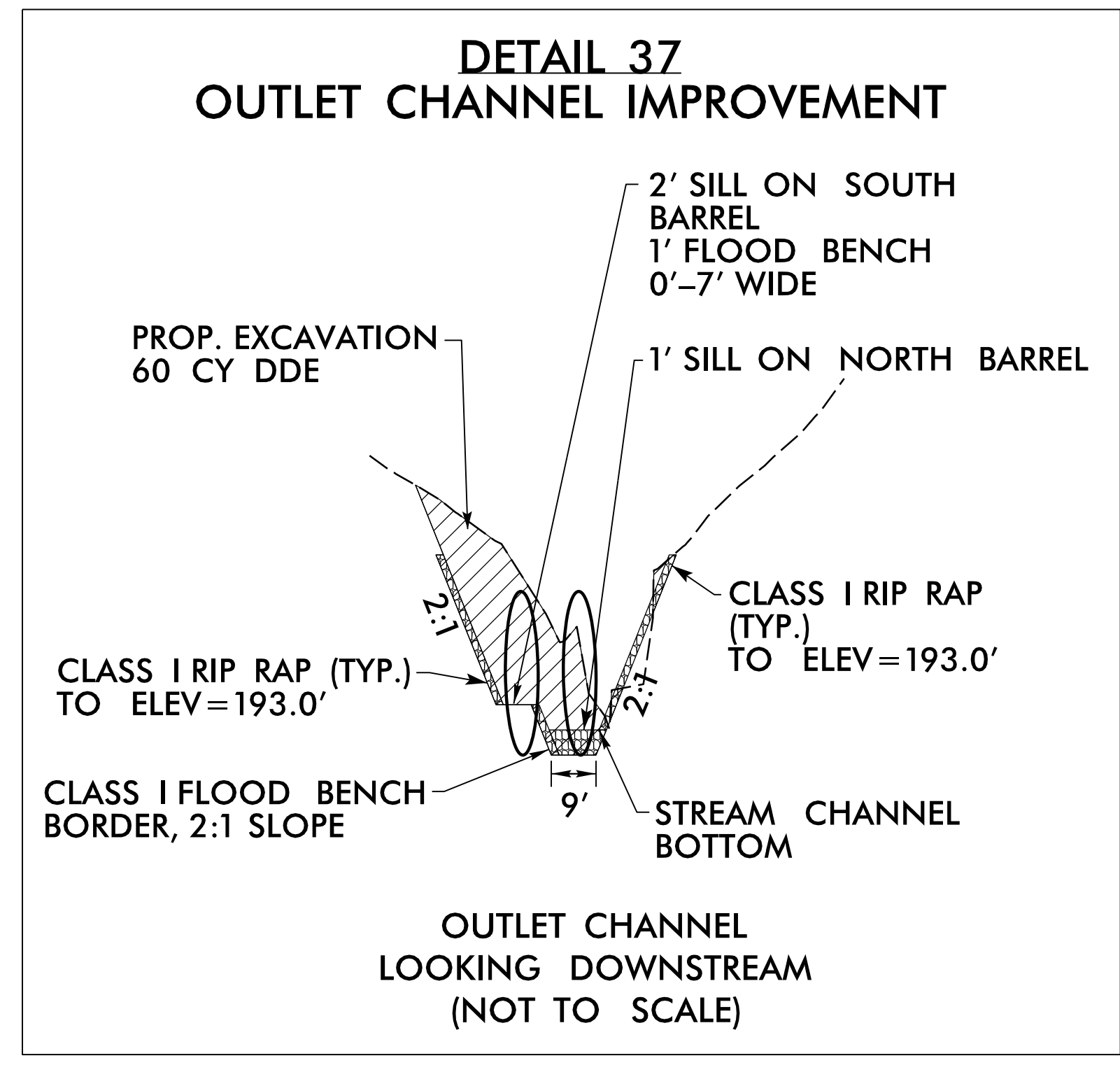
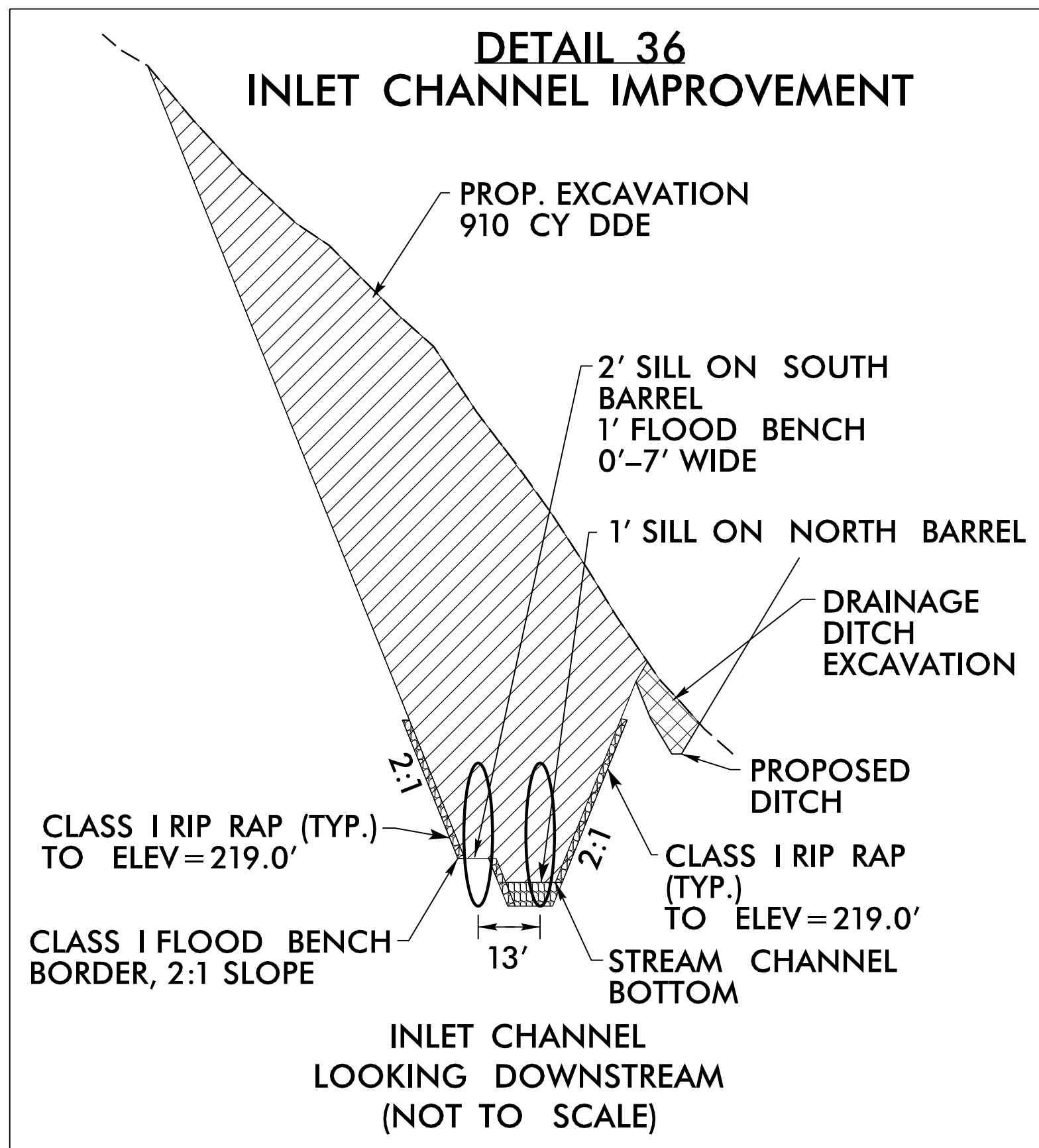
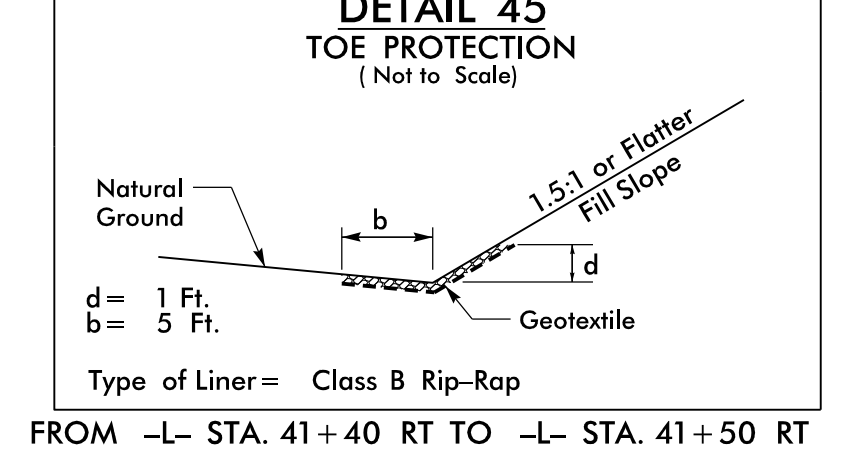
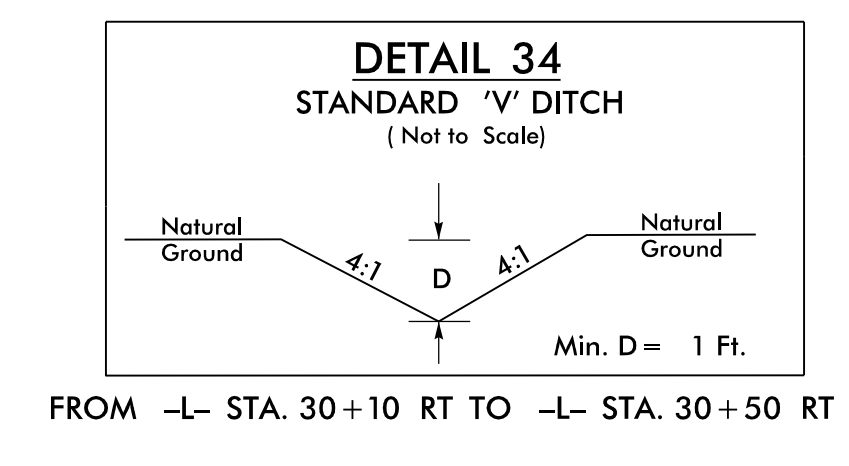
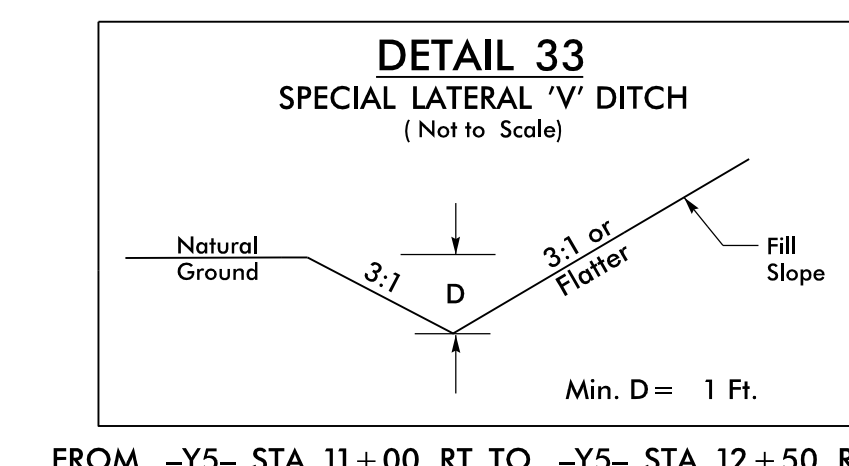
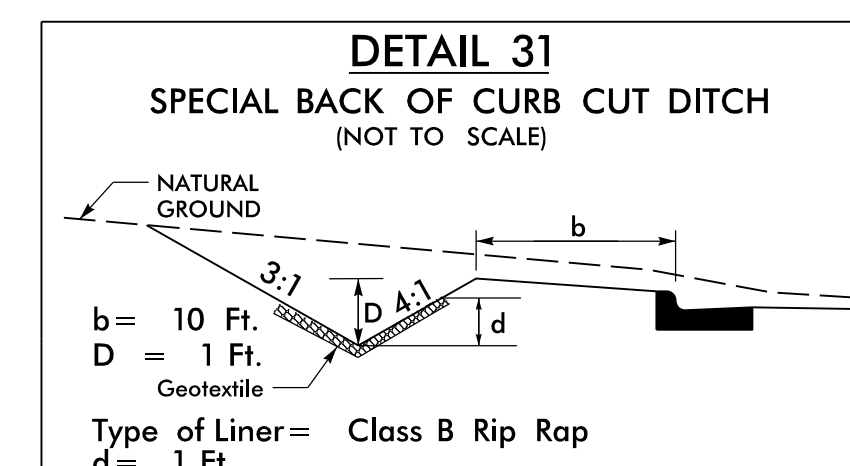
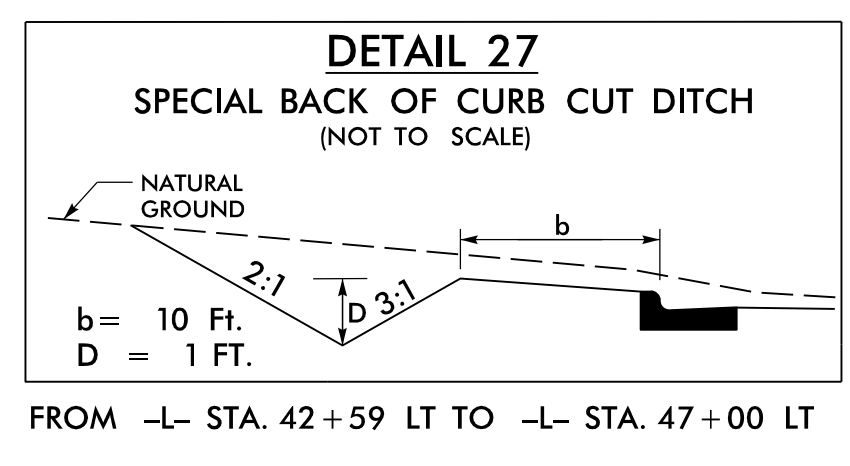
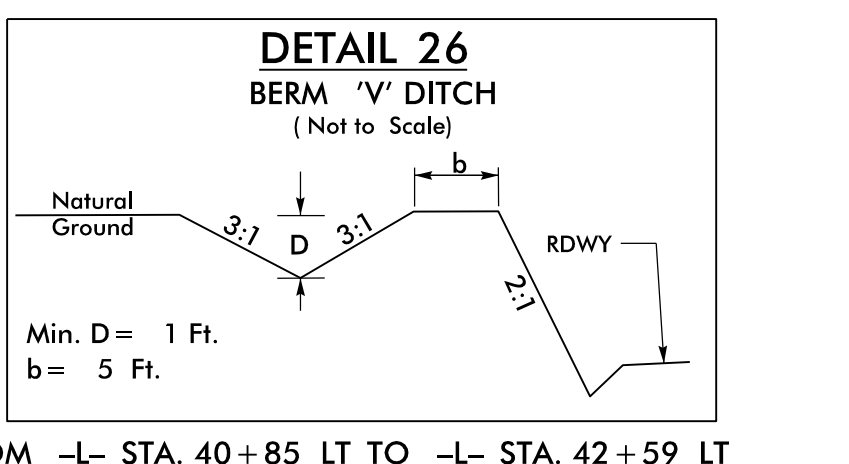
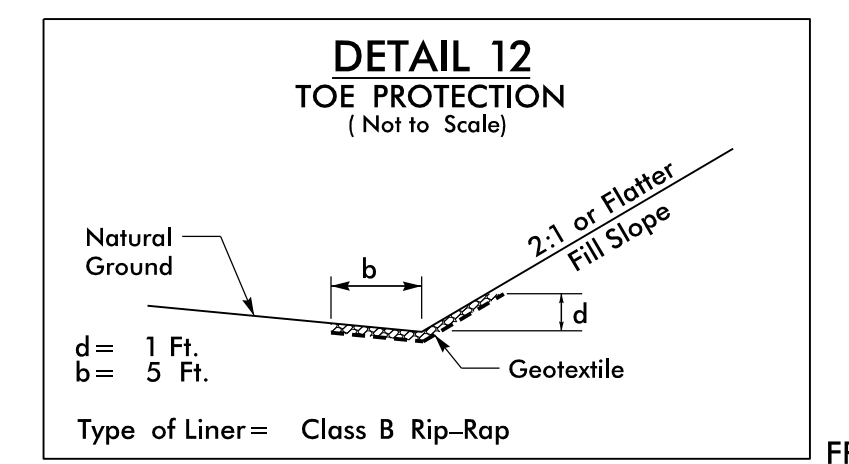
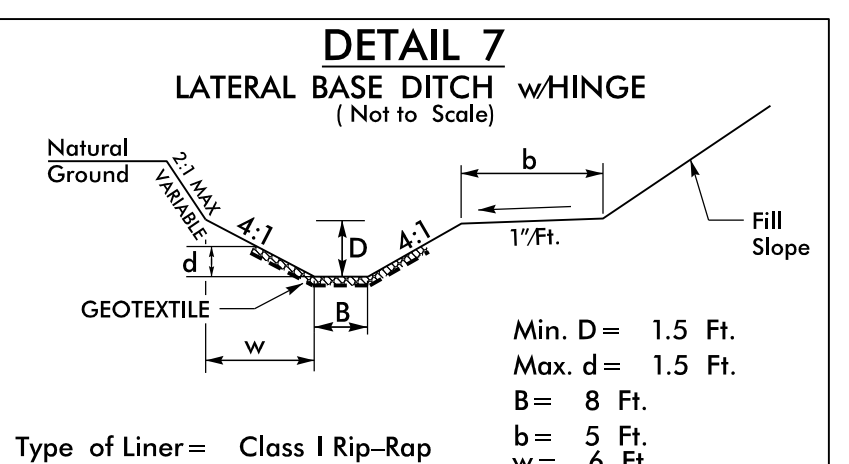
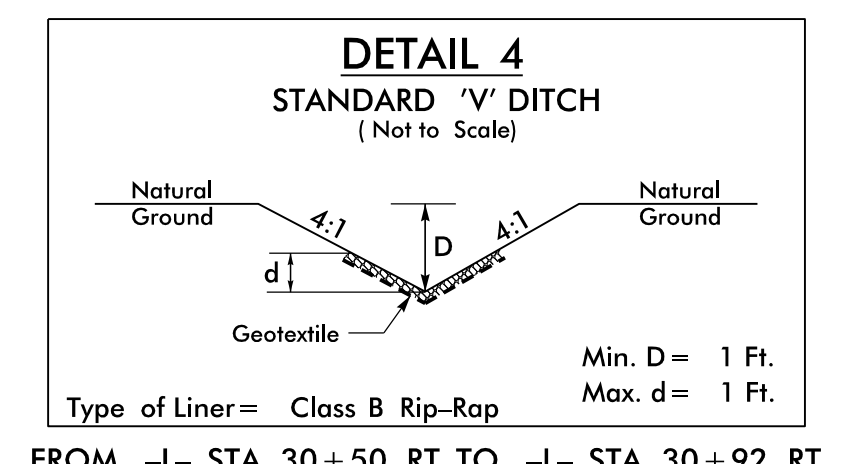
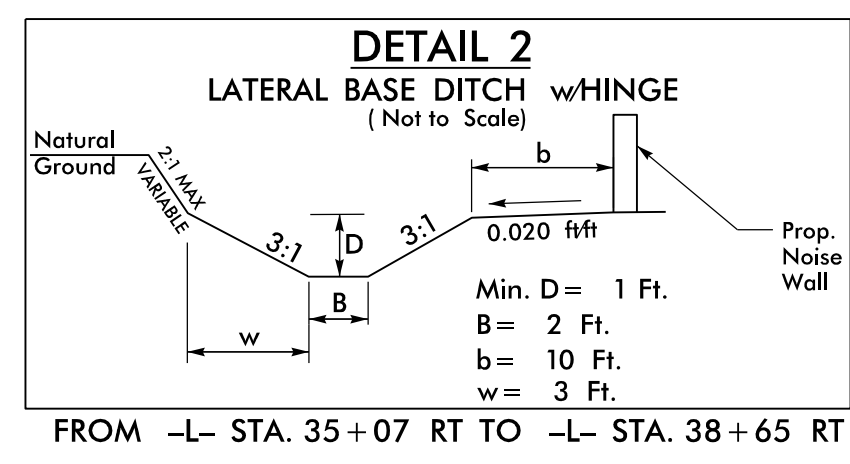


5/14/99

PROJECT REFERENCE NO. U-5748	SHEET NO. 5A
RW SHEET NO.	
ROADWAY DESIGN ENGINEER	HYDRAULICS ENGINEER
Prepared in the Office of: AECOM	
NC FIRM LICENSE No. F-0342 5438 Wade Park Blvd., Suite 200 Raleigh, NC 27607 199461-000	
DOCUMENT NOT CONSIDERED FINAL UNLESS ALL SIGNATURES COMPLETED	



REVISIONS

2/3/2023 10:57:18 =du_psh05A.dgn