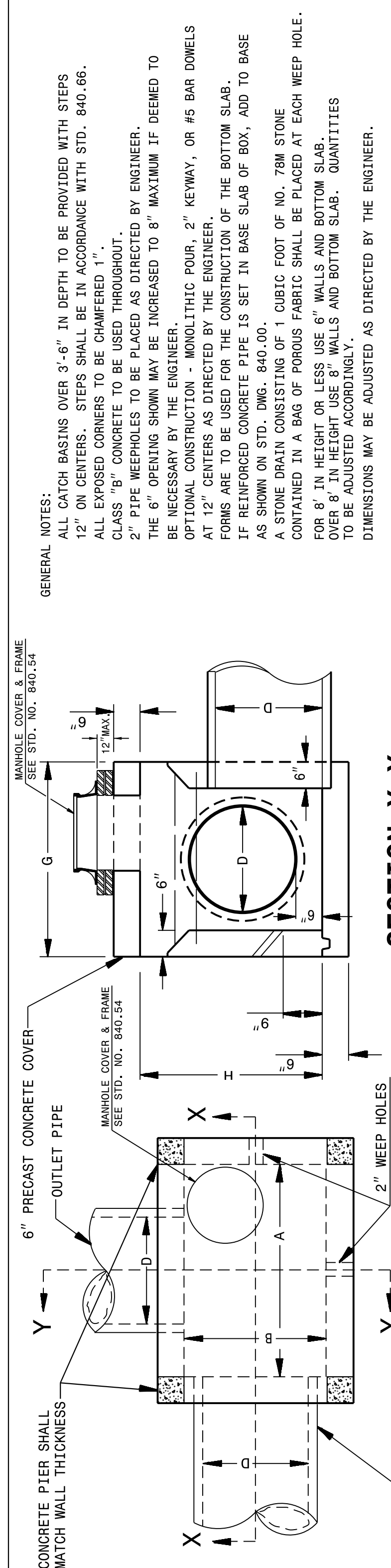


24-APR-2019 07:24
 S:\Contracts\Special Details\jhover-ton\840d04 3 or 4 side OTCB.dgn
 jhover-ton AT CSD-292595

5/14/99

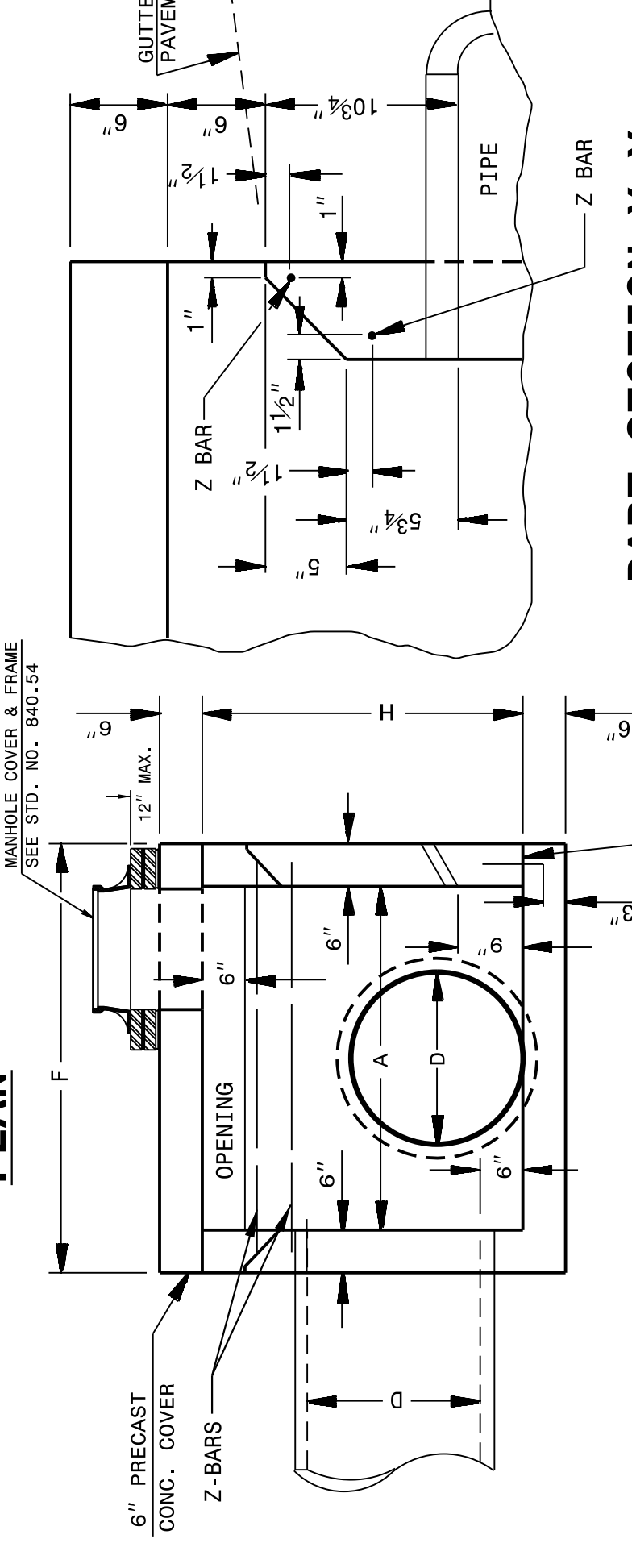
STATE OF
 NORTH CAROLINA
 DEPT. OF TRANSPORTATION
 DIVISION OF HIGHWAYS
 RALEIGH, N.C.



STATE OF
 NORTH CAROLINA
 DEPT. OF TRANSPORTATION
 RALEIGH, N.C.

GENERAL NOTES:
 ALL CATCH BASINS OVER 3'-6" IN DEPTH TO BE PROVIDED WITH STEPS 12" ON CENTERS. STEPS SHALL BE IN ACCORDANCE WITH STD. 840.66.
 ALL EXPOSED CORNERS TO BE CHAMFERED 1".
 CLASS "B" CONCRETE TO BE USED THROUGHOUT.
 2" PIPE WEEPHOLES TO BE PLACED AS DIRECTED BY ENGINEER.
 THE 6" OPENING SHOWN MAY BE INCREASED TO 8" MAXIMUM IF DEEMED TO BE NECESSARY BY THE ENGINEER.
 OPTIONAL CONSTRUCTION - MONOLITHIC POUR, 2" KEYWAY, OR #5 BAR DOWELS FORMS ARE TO BE USED FOR THE CONSTRUCTION OF THE BOTTOM SLAB.
 IF REINFORCED CONCRETE PIPE IS SET IN BASE SLAB OF BOX, ADD TO BASE AS SHOWN ON STD. DWG. 840.00.
 A STONE DRAIN CONSISTING OF 1 CUBIC FOOT OF NO. 78M STONE CONTAINED IN A BAG OF POROUS FABRIC SHALL BE PLACED AT EACH WEEP HOLE.
 FOR 8" IN HEIGHT OR LESS USE 6" WALLS AND BOTTOM SLAB.
 OVER 8" IN HEIGHT USE 8" WALLS AND BOTTOM SLAB. QUANTITIES TO BE ADJUSTED ACCORDINGLY.
 DIMENSIONS MAY BE ADJUSTED AS DIRECTED BY THE ENGINEER.

ENGLISH DETAIL DRAWING FOR
CONCRETE CATCH BASIN
 (3 OR 4 SIDE OPEN THROAT)
 (MANHOLE OPTIONAL)



ENGLISH DETAIL DRAWING FOR
CONCRETE CATCH BASIN
 (3 OR 4 SIDE OPEN THROAT)
 (MANHOLE OPTIONAL)

PART SECTION Y-Y
 SHOWING METHOD OF CONSTRUCTION IF INCREASED OPENING IS USED

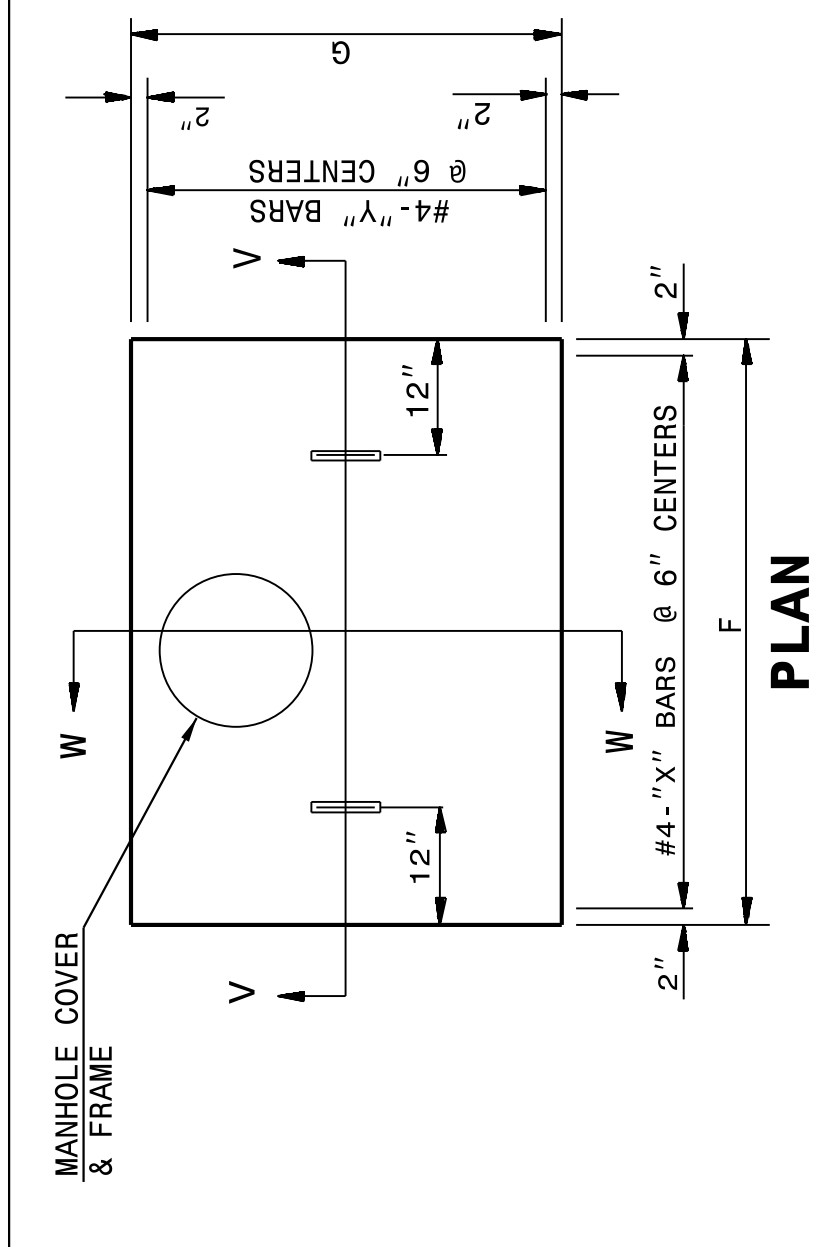
PART SECTION Y-Y
 SHOWING METHOD OF CONSTRUCTION FOR 6" OPENING

PIPE DIM'S OF BOX & PIPE	MIN. DIMENSIONS AND QUANTITIES FOR CONCRETE CATCH BASIN (BASED ON MIN. HEIGHT, H)				TOTAL QUANTITIES		DEDUCTION ONE PIPE THROUGH OPENING	R.C.										
	SPAN	WIDTH	HEIGHT	REINFORCING	CU. YDS. CONC. IN BOX	BOX & SLABS			YO ³									
D	A	B	H	BAIRS - X	BAIRS - Y	BAIRS - Z	NO. LENGTH	NO. LENGTH	TOP SLAB (BOT. SLAB)	REIN. (FT. LBS. REIN. (Y ³ (MIN. H)	C.S.	R.C.						
12"	3'-6"	2'-3"	1'-10"	4	3'-0"	6	4'-3"	2	4'-3"	4'-6"	0.181	0.271	0.250	27	1.046	0.015	0.032	0.046
15"	3'-6"	2'-3"	2'-1"	4	3'-0"	6	4'-3"	2	4'-3"	4'-6"	0.181	0.271	0.250	27	1.108	0.023	0.036	0.046
18"	4'-0"	2'-8"	2'-4"	5	3'-5"	7	4'-9"	2	4'-9"	5'-0"	0.226	0.340	0.284	35	1.379	0.033	0.049	0.053
24"	4'-0"	2'-8"	2'-10"	5	3'-5"	7	4'-9"	2	4'-9"	5'-0"	0.226	0.340	0.284	35	1.521	0.059	0.085	0.083
30"	4'-0"	3'-6"	3'-4"	5	4'-3"	9	4'-9"	2	4'-9"	5'-0"	0.278	0.417	0.315	43	1.916	0.092	0.127	0.053
36"	4'-0"	4'-6"	4'-4"	5	5'-3"	12	5'-9"	2	5'-9"	6'-0"	0.340	0.510	0.352	51	2.390	0.132	0.178	0.069
42"	5'-0"	4'-6"	4'-4"	5	5'-3"	12	5'-9"	2	5'-9"	6'-0"	0.407	0.611	0.389	64	2.914	0.180	0.243	0.066
48"	5'-0"	5'-0"	4'-10"	5	5'-9"	13	5'-9"	2	5'-9"	6'-0"	0.444	0.666	0.407	68	3.298	0.235	0.317	0.066

SHEET 1 OF 2
840D04

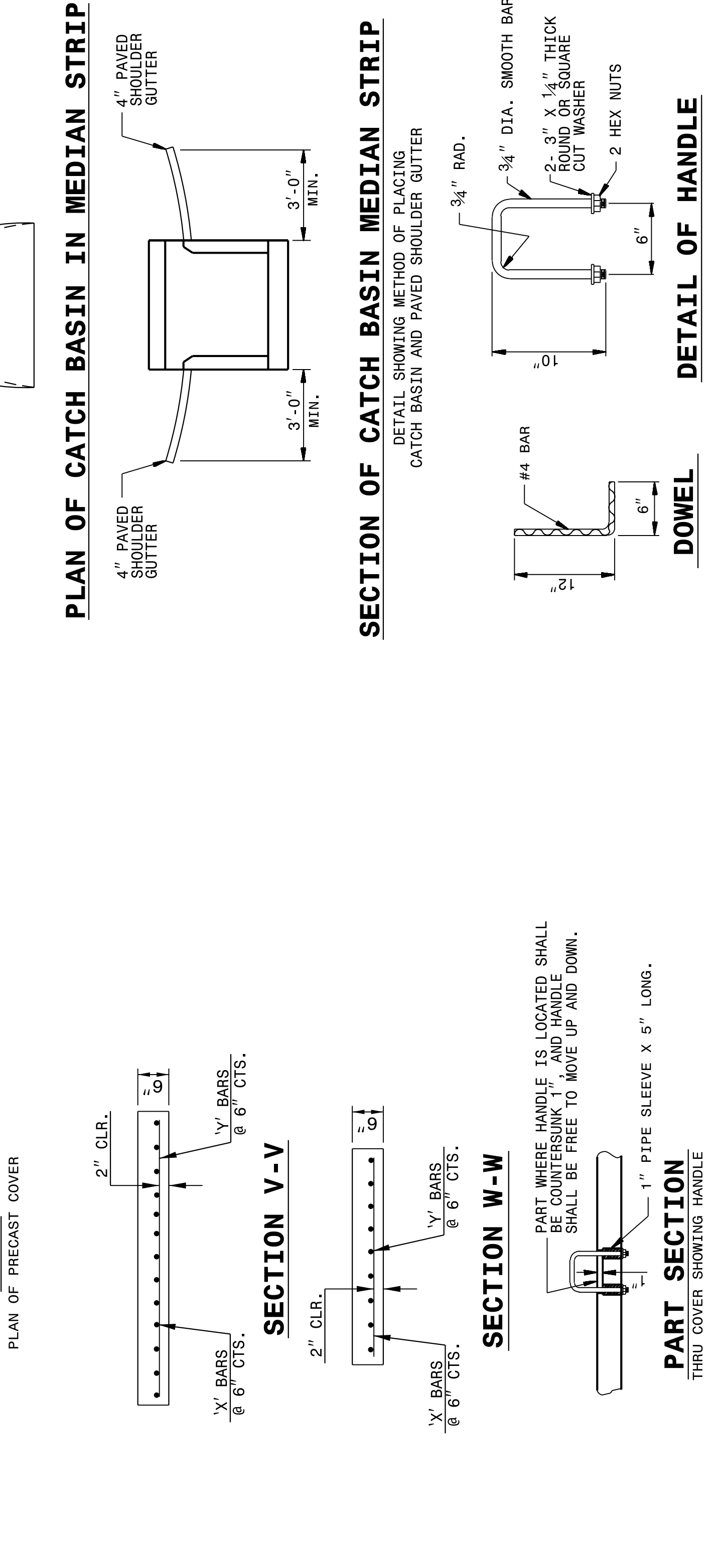
SHEET 1 OF 2
840D04

STATE OF
 NORTH CAROLINA
 DEPT. OF TRANSPORTATION
 DIVISION OF HIGHWAYS
 RALEIGH, N.C.



STATE OF
 NORTH CAROLINA
 DEPT. OF TRANSPORTATION
 RALEIGH, N.C.

ENGLISH DETAIL DRAWING FOR
CONCRETE CATCH BASIN
 (3 OR 4 SIDE OPEN THROAT)
 (MANHOLE OPTIONAL)



SHEET 2 OF 2
840D04

SHEET 2 OF 2
840D04

DOCUMENT NOT CONSIDERED FINAL
 UNLESS ALL SIGNATURES COMPLETED

CONTRACT STANDARDS AND DEVELOPMENT UNIT
 Office 919-707-6950 FAX 919-250-4119

SEE PLATE FOR TITLE

ORIGINAL BY: _____ DATE: _____
 MODIFIED BY: rnbritt DATE: 07-03-2014
 CHECKED BY: _____ DATE: _____
 FILE SPEC.: details/rnbritt/english/hydro/840d04.dgn

