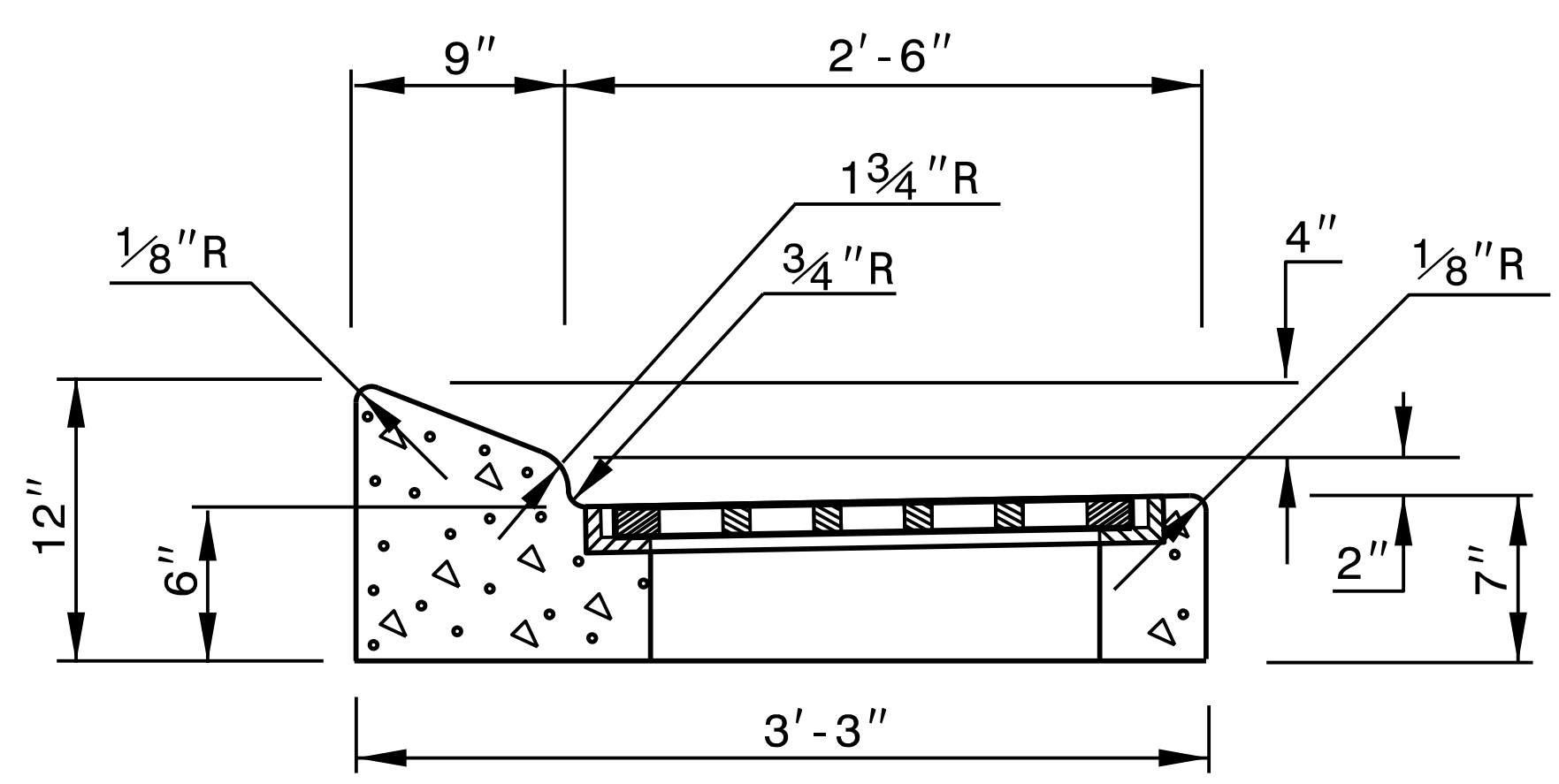
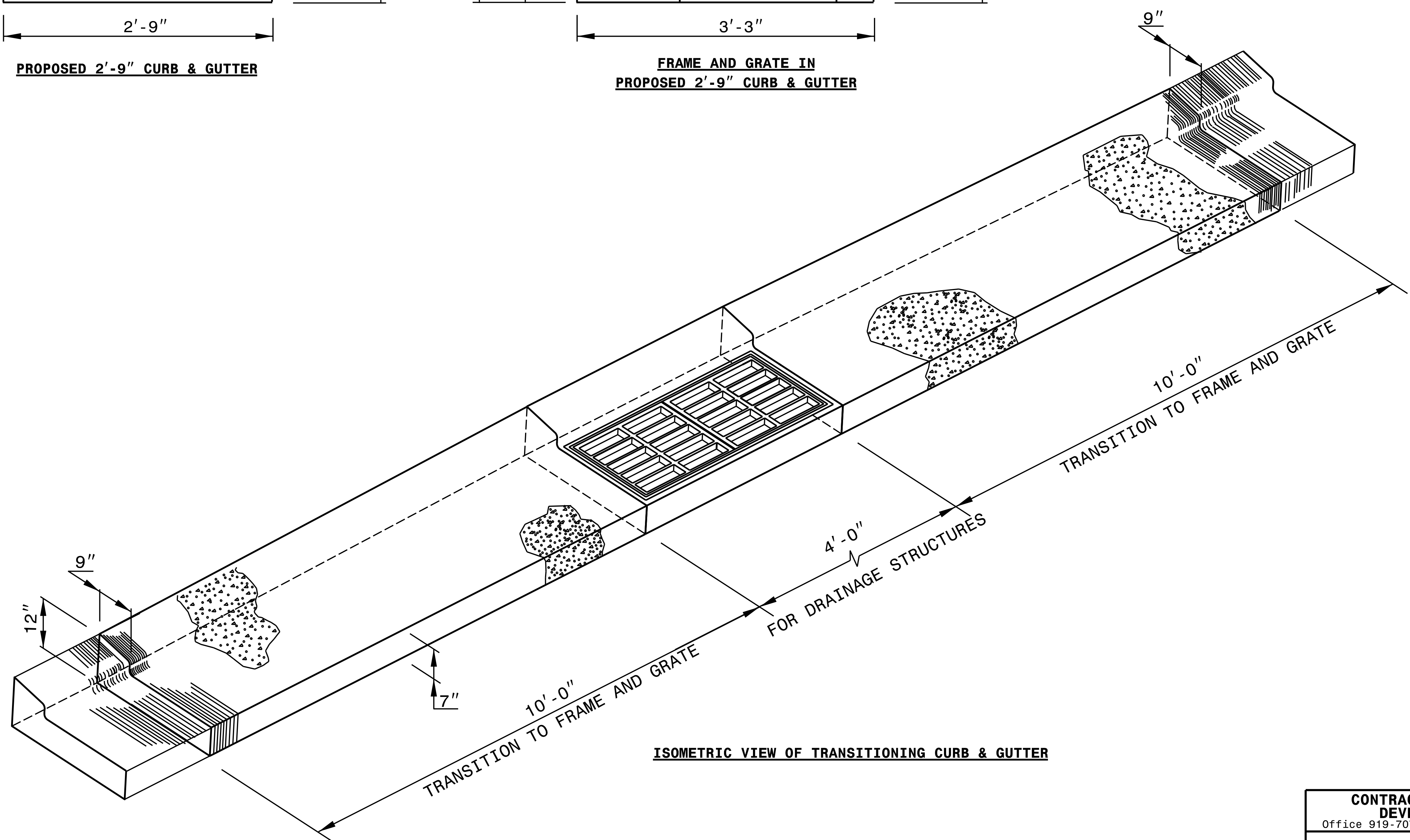


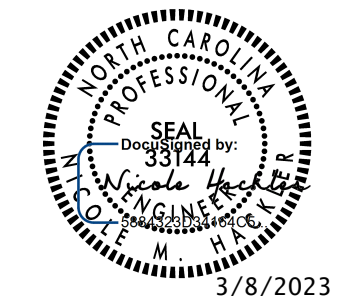
**PROPOSED 2'-9" CURB & GUTTER**



**FRAME AND GRATE IN PROPOSED 2'-9" CURB & GUTTER**



**ISOMETRIC VIEW OF TRANSITIONING CURB & GUTTER**



DOCUMENT NOT CONSIDERED FINAL  
UNLESS ALL SIGNATURES COMPLETED

**CONTRACT STANDARDS AND  
DEVELOPMENT UNIT**  
Office 919-707-6950 FAX 919-250-4119

**DETAIL OF 2'-9"  
TO FRAME AND GRATE**

ORIGINAL BY: _____	DATE: _____
MODIFIED BY: _____	DATE: _____
CHECKED BY: _____	DATE: _____
FILE SPEC.: kkempf/english/curb_gutter_transition.dgn	